

NOTES:

OUTER CASE

- 18 MM BALTIC BIRCH
- MITRED AND PEGGED CORNER JOINERY

DRAWER

- HARDWOOD SOLID AS PROVIDED
- HAND CUT DOVETAILS FOR FRONT CORNERS
- BACK CORNERS, RABBETED AND PEGGED
- SCOOP CUTOUT IN FRONT OF DRAWER BOX

ALL SURFACES SANDED TO 150 GRIT, EDGES SLIGHTLY EASED

PROJECT:

**PISTON FIT
DRAWER BOX**

LEVEL:

REGIONAL SKILLS

DRAWING DESCRIPTION

**ISOMETRIC
VIEW**

DATE:

NOVEMBER 21, 2019

SCALE:

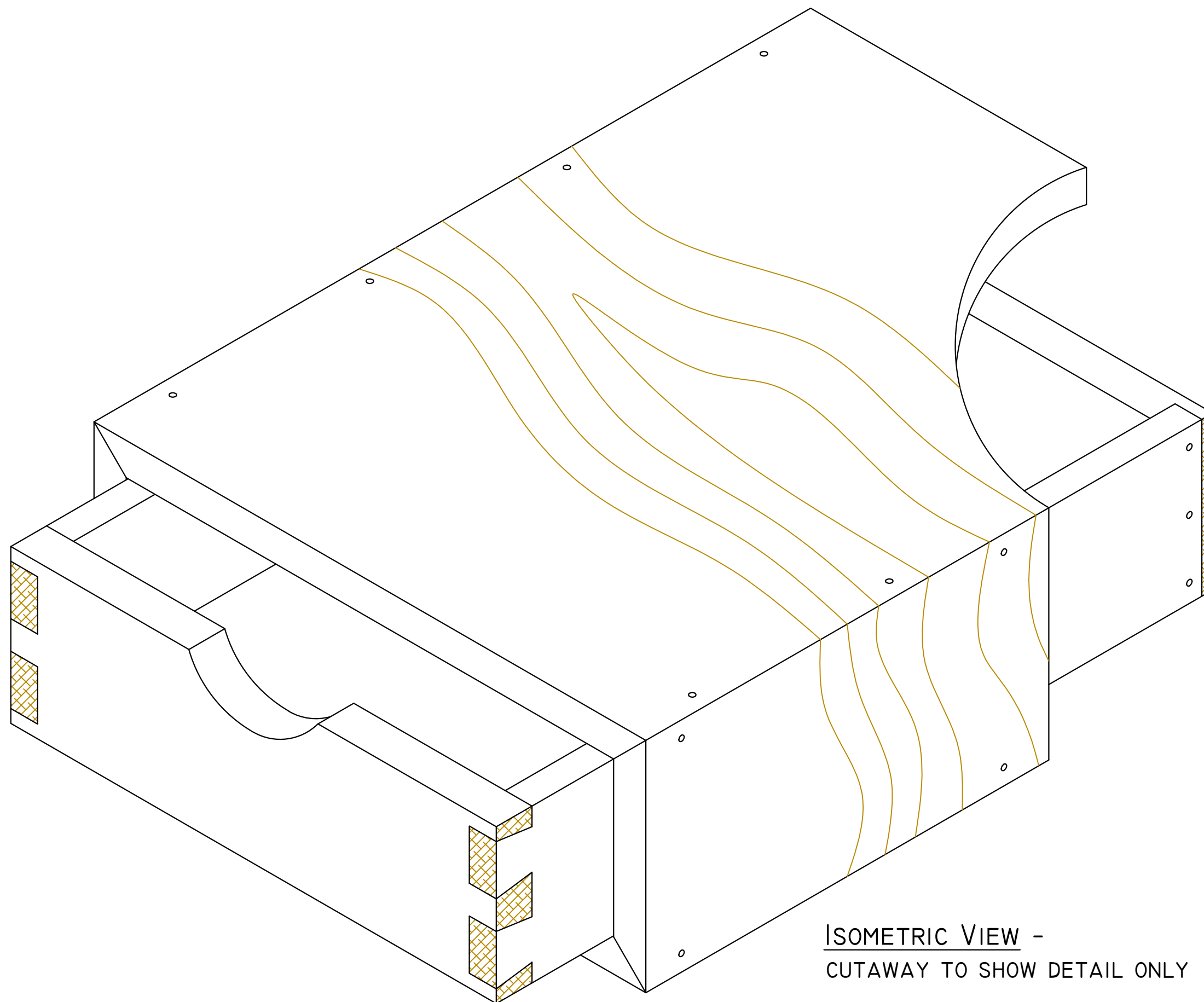
1 : 2

DRAWN BY:

IM/HB

SHEET:

1 OF 3



**ISOMETRIC VIEW -
CUTAWAY TO SHOW DETAIL ONLY**

NOTES:

- CASE MATERIAL AS PROVIDED, EDGING OPTIONAL
- DOVETAIL JOINERY HAND TOOLS ONLY
- DOVETAILS MARKED BEFORE AND AFTER ASSEMBLY
- DOWELS, 3 MM x 30 MM TRIMMED FLUSH
- DRAWER TO HAVE A "PISTON FIT", CLEARANCES AS SHOWN
- TEMPLATE PROVIDED FOR LAYOUT OF SCOOP CUT

PROJECT:

**PISTON FIT
DRAWER BOX**

LEVEL:

REGIONAL SKILLS

DRAWING DESCRIPTION

**ORTHOGRAPHIC
& SECTION VIEWS**

DATE:

NOVEMBER 21, 2019

SCALE:

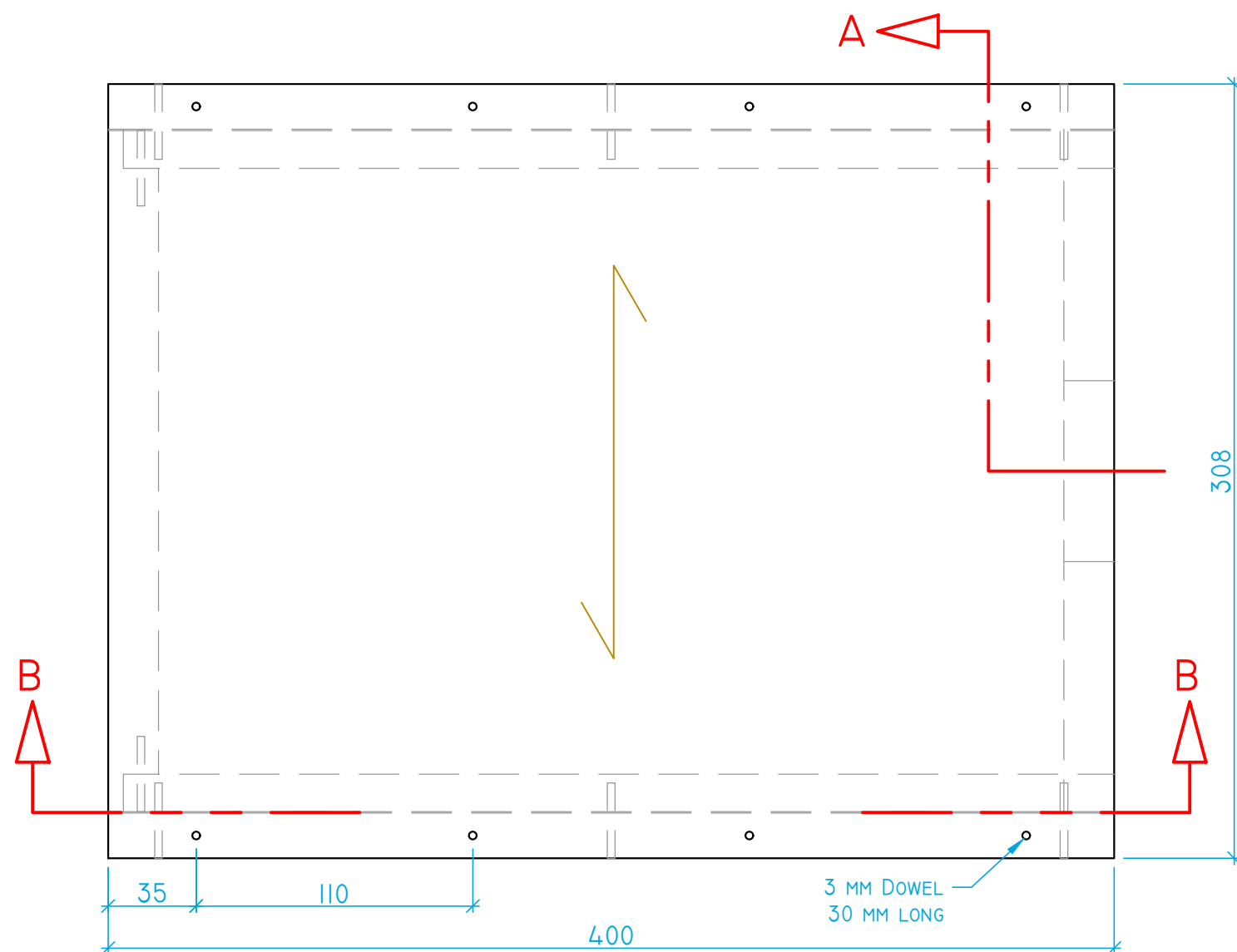
1 : 2.5

DRAWN BY:

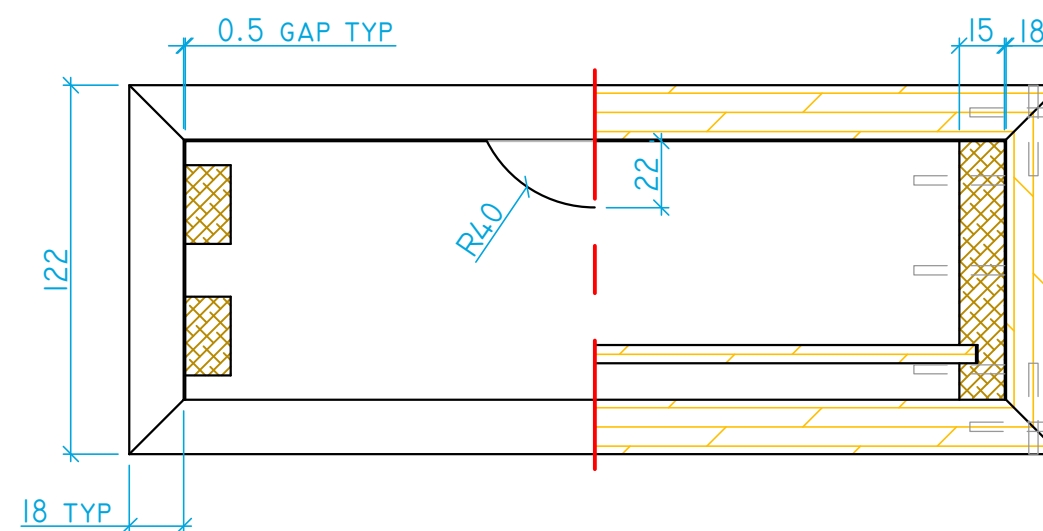
IM/HB

SHEET:

2 OF 3



TOP & SIDE VIEWS



END VIEW & SECTION A

NOTES:

- DOVETAIL JOINERY
HAND TOOLS ONLY;
WILL BE MARKED BEFORE
AND AFTER ASSEMBLY
- DRAWER BACK RABBETED
FOR SIDES AND PEGGED
WITH 3 DOWELS AS SHOWN
- 6 MM PLY FOR DRAWER
BOTTOM, SET IN 6 X 6
GROOVE

PROJECT:

**PISTON FIT
DRAWER BOX**

LEVEL:

REGIONAL SKILLS

DRAWING DESCRIPTION

SECTION B : B

DATE:

NOVEMBER 21, 2019

SCALE:

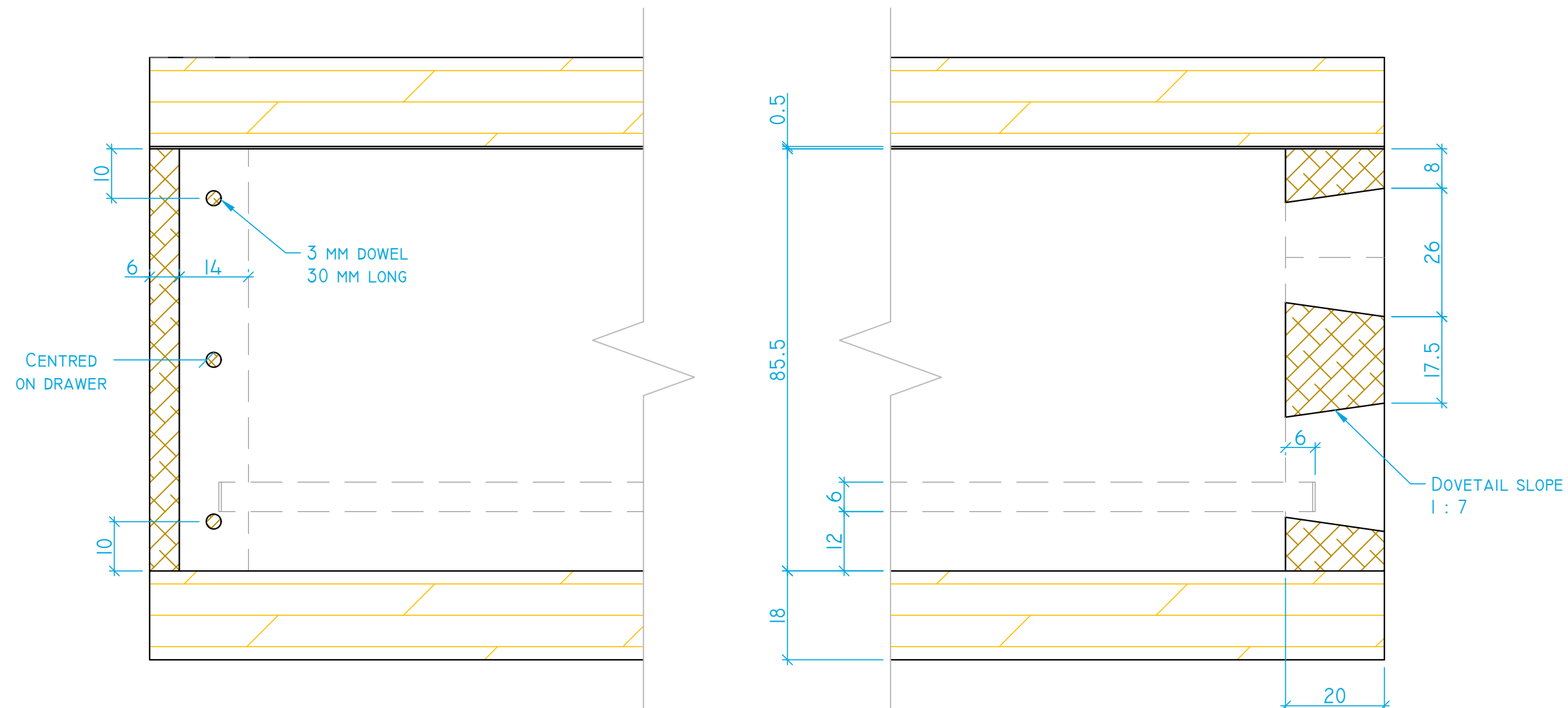
1 : 1

DRAWN BY:

IM/HB

SHEET:

3 OF 3



SECTION B : B