

ORTHO VIEWS SCALE 1:4

NOTE:
DRAWINGS FOR TRAINING PURPOSES ONLY
COMPETITION PROJECT MAY HAVE UP TO 30% CHANGE



NOTES:

- CASE PARTS:
- 18 AND 6 MM BALTIC BIRCH
CASE JOINERY:
- MITRED CORNERS WITH DOWELS
HANDLE:
- ASH HARDWOOD OR SIMILAR
TRAY:
- ASH HARDWOOD OR SIMILAR

PROJECT:

TOOL TOTE

LEVEL:

SECONDARY

DRAWING DESCRIPTION

ORTHO VIEWS

DATE:

JAN 19, 2021

SCALE:

1 : 4

DRAWN BY:

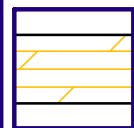
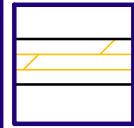
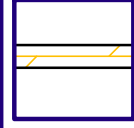
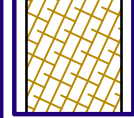
HB

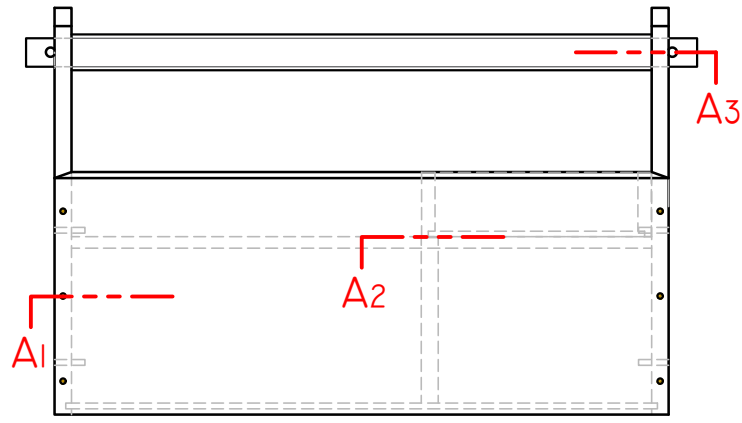
SHEET:

1 OF 4

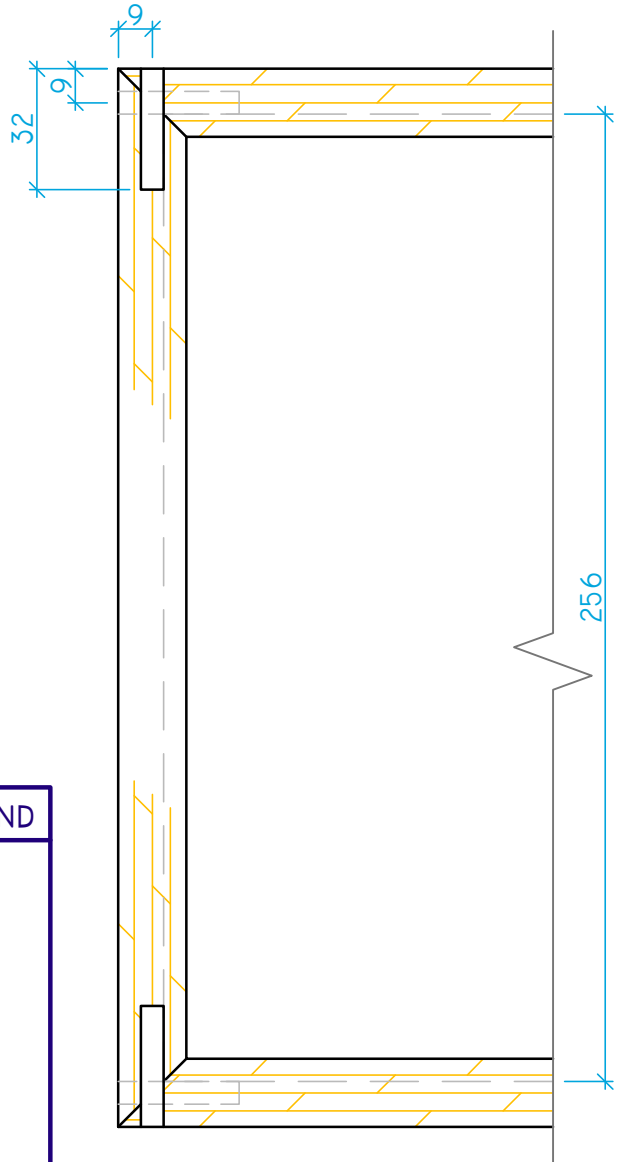
NOTE:
DRAWINGS FOR TRAINING PURPOSES ONLY
COMPETITION PROJECT MAY HAVE UP TO 30% CHANGE

MATERIAL SYMBOLS LEGEND

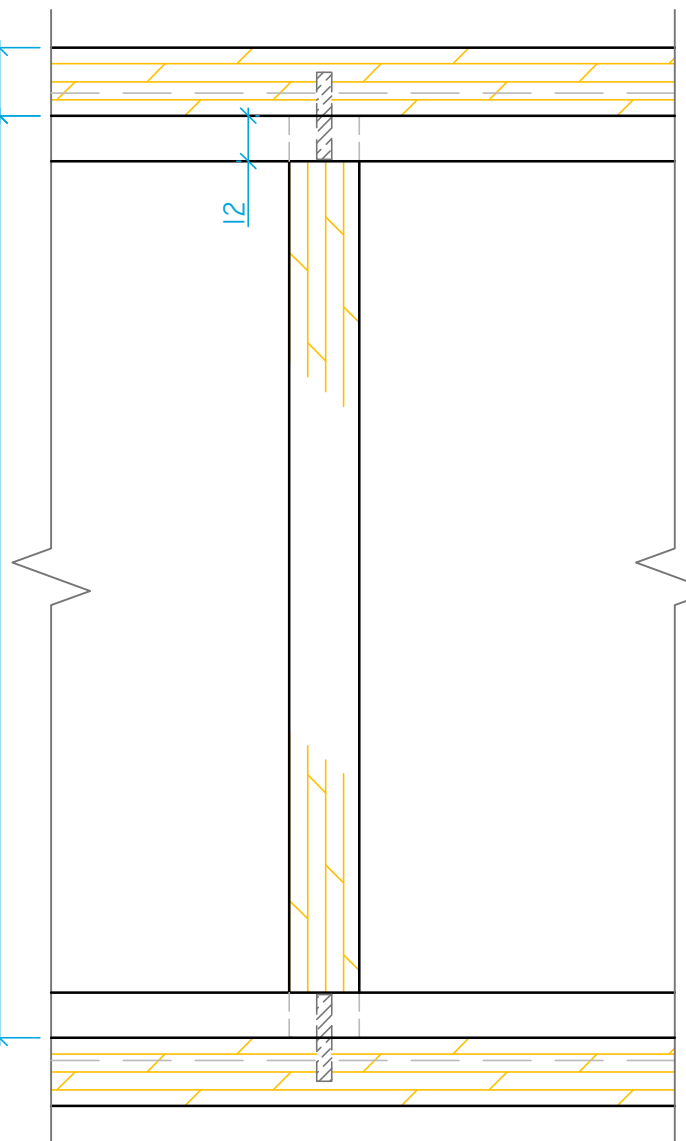
-  18 MM BALTIC BIRCH
-  12 MM BALTIC BIRCH
-  6 MM BIRCH PLY
-  HARDWOOD SOLID



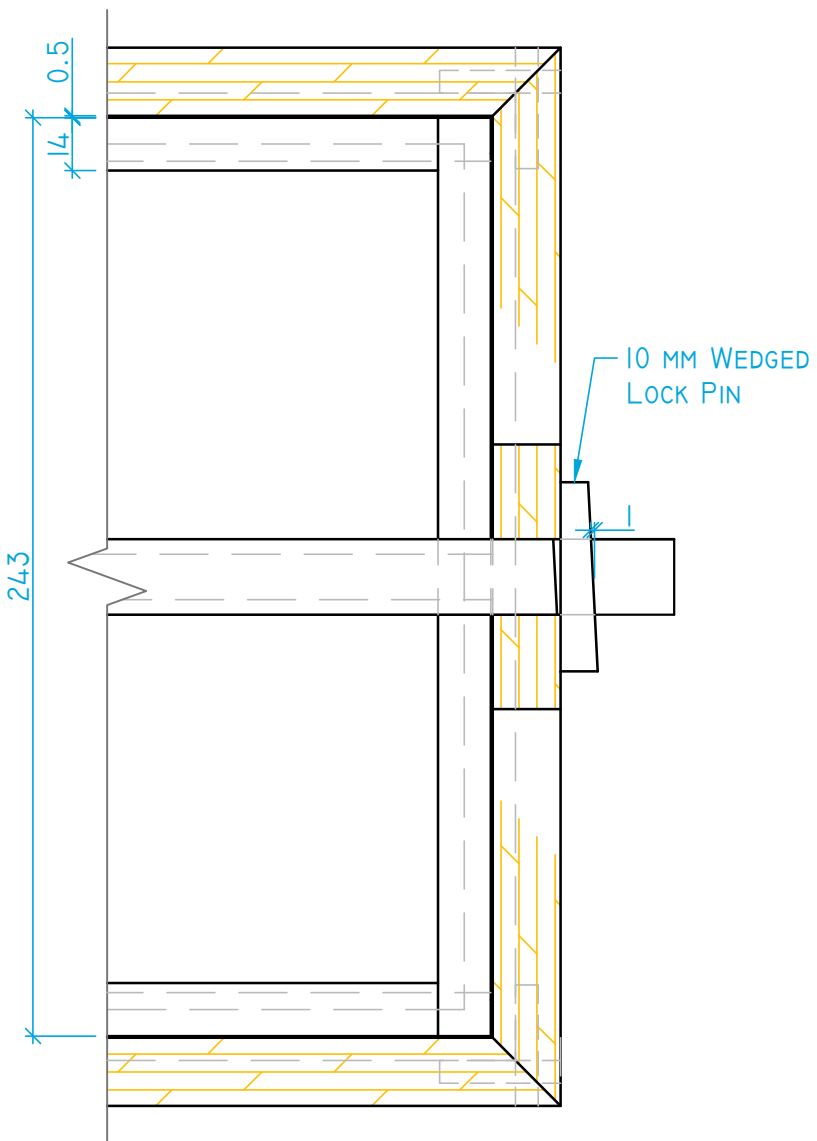
SECTION LOCATION KEY
SCALE 1 : 8



SECTION A1
SCALE 1 : 2



SECTION A2
SCALE 1 : 2



SECTION A3
SCALE 1 : 2



- NOTES:
- CASE PARTS:
- 18 AND 6 MM BALTIC BIRCH
- CASE JOINERY:
- CORNERS MITRED, PINNED WITH 6 (1/4") X 32 MM DOWELS
 - DIVIDER GABLE, #20 BISCUITS
 - BOTTOM, 6 X 6 T&G
- TRAY:
- ASH HARDWOOD OR SIMILAR
 - BOTTOM, 6 MM PLY
- HANDLE:
- ASH HARDWOOD OR SIMILAR
 - DOWEL LOCK PIN HOLE DRILLED 1 MM OFF SQUARE
 - DOWEL LOCK PIN FIT TO CREATE WEDGING ACTION

PROJECT:
IRISH TOOL TOTE

LEVEL:
SECONDARY

DRAWING DESCRIPTION
SECTIONS
A1, A2 & A3

DATE:
JAN 19, 2021

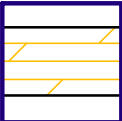
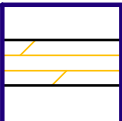
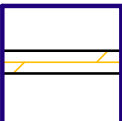
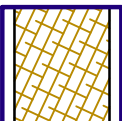
SCALE:
AS NOTED

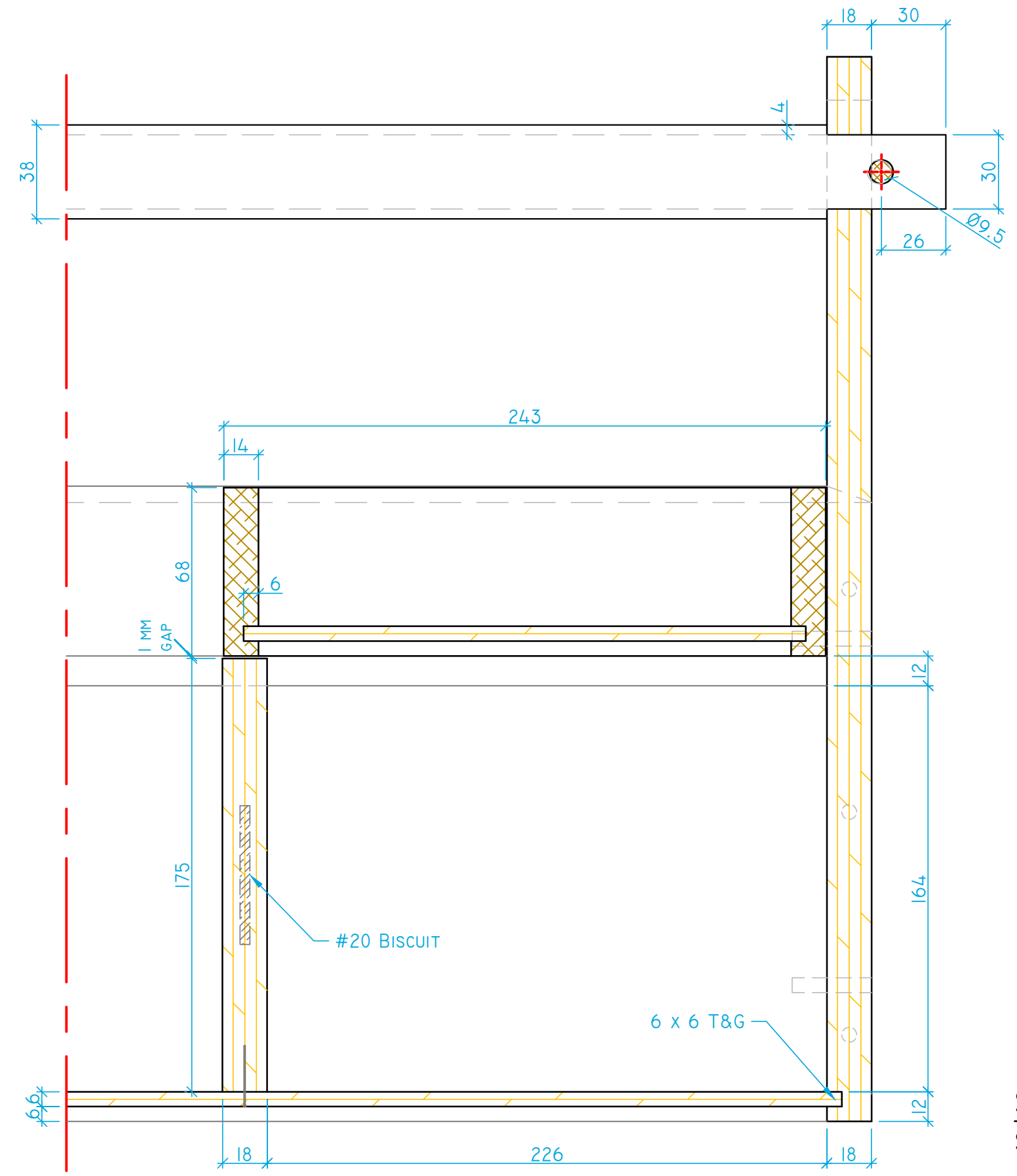
DRAWN BY:
HB

SHEET:
2 OF 4

NOTE:
DRAWINGS FOR TRAINING PURPOSES ONLY
COMPETITION PROJECT MAY HAVE UP TO 30% CHANGE

MATERIAL SYMBOLS LEGEND

-  18 MM BALTIC BIRCH
-  12 MM BALTIC BIRCH
-  6 MM BIRCH PLY
-  HARDWOOD SOLID



SECTION B
SCALE 1 : 2



- NOTES:
- CASE PARTS:
- 18 AND 6 MM BALTIC BIRCH
- CASE JOINERY:
- CORNERS MITRED, PINNED WITH 6 (1/4") X 32 MM DOWELS
- DIVIDER GABLE, #20 BISCUITS, 18 GAUGE 1" PIN FROM BOTTOM
- BOTTOM 6 X 6 T&G
- TRAY:
- ASH HARDWOOD OR SIMILAR
- 6 MM PLY BOTTOM
- HANDLE:
- ASH HARDWOOD OR SIMILAR
TOP & BTM EDGES,
SHOULDERED 4 MM

PROJECT:
TOOL TOTE

LEVEL:
SECONDARY

DRAWING DESCRIPTION
SECTION B

DATE:
JAN 19, 2021

SCALE:
AS NOTED

DRAWN BY:
HB

SHEET:
3 OF 4

NOTES:

DOVETAIL JOINTS CUT BY HAND TOOLS ONLY. TO BE MARKED BEFORE AND AFTER ASSEMBLY.
CASE SIDES WILL BE PROVIDED WITH 20° CUT ON TOP EDGE
150 RADIUS TEMPLATE WILL BE PROVIDED FOR LAYING OUT ARC ON CASE ENDS.

PROJECT:

IRISH TOOL TOTE

LEVEL:

SECONDARY

DRAWING DESCRIPTION

SECTION C:C
TRAY DETAIL

DATE:

JAN 19, 2021

SCALE:

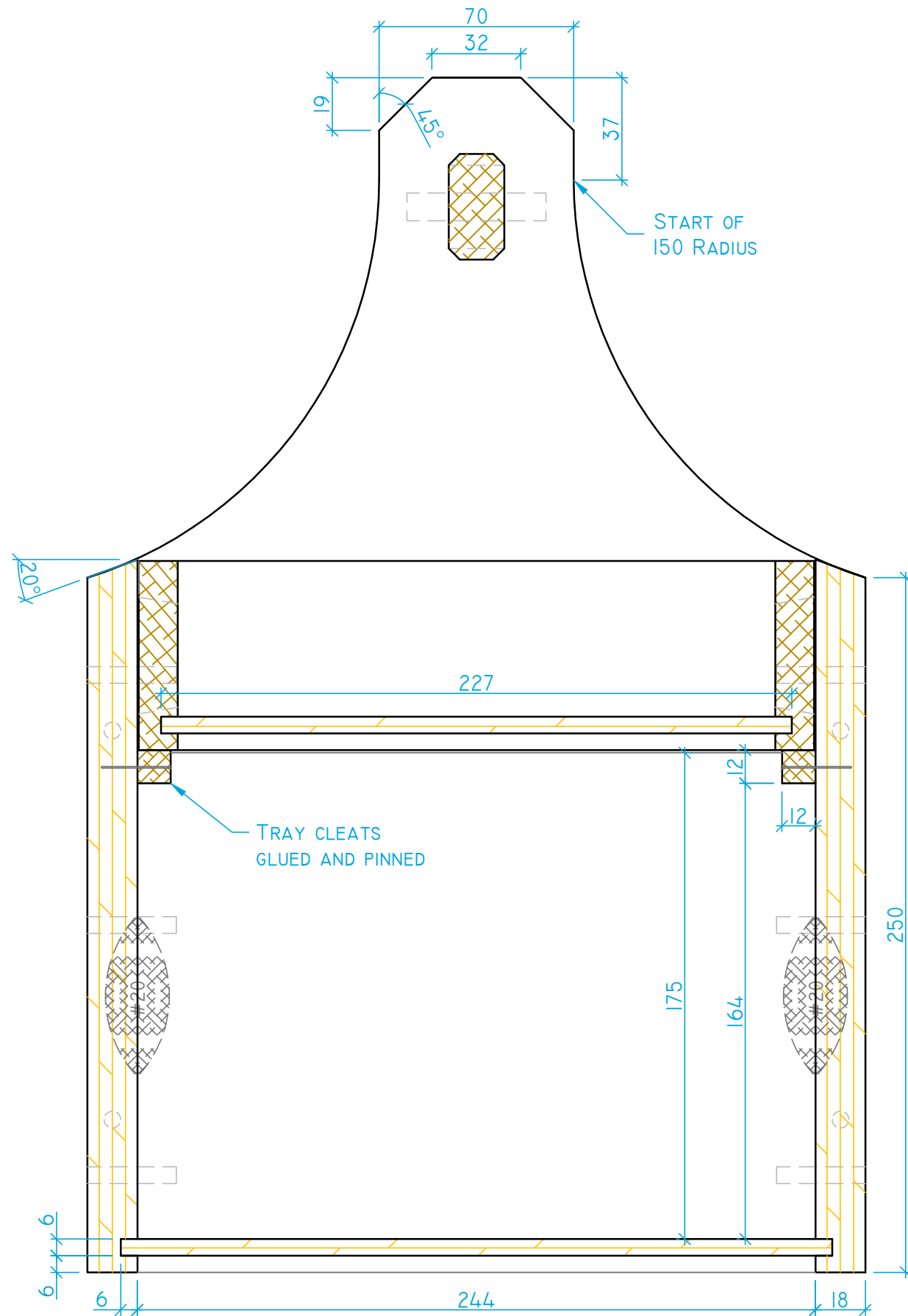
AS NOTED

DRAWN BY:

HB

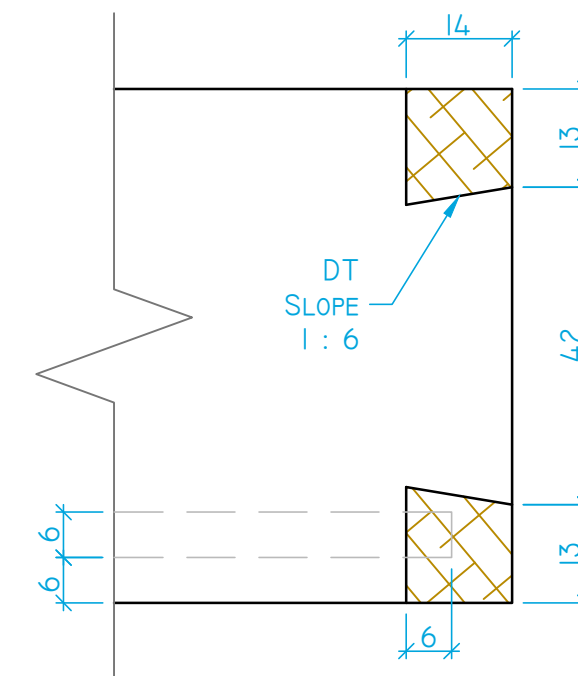
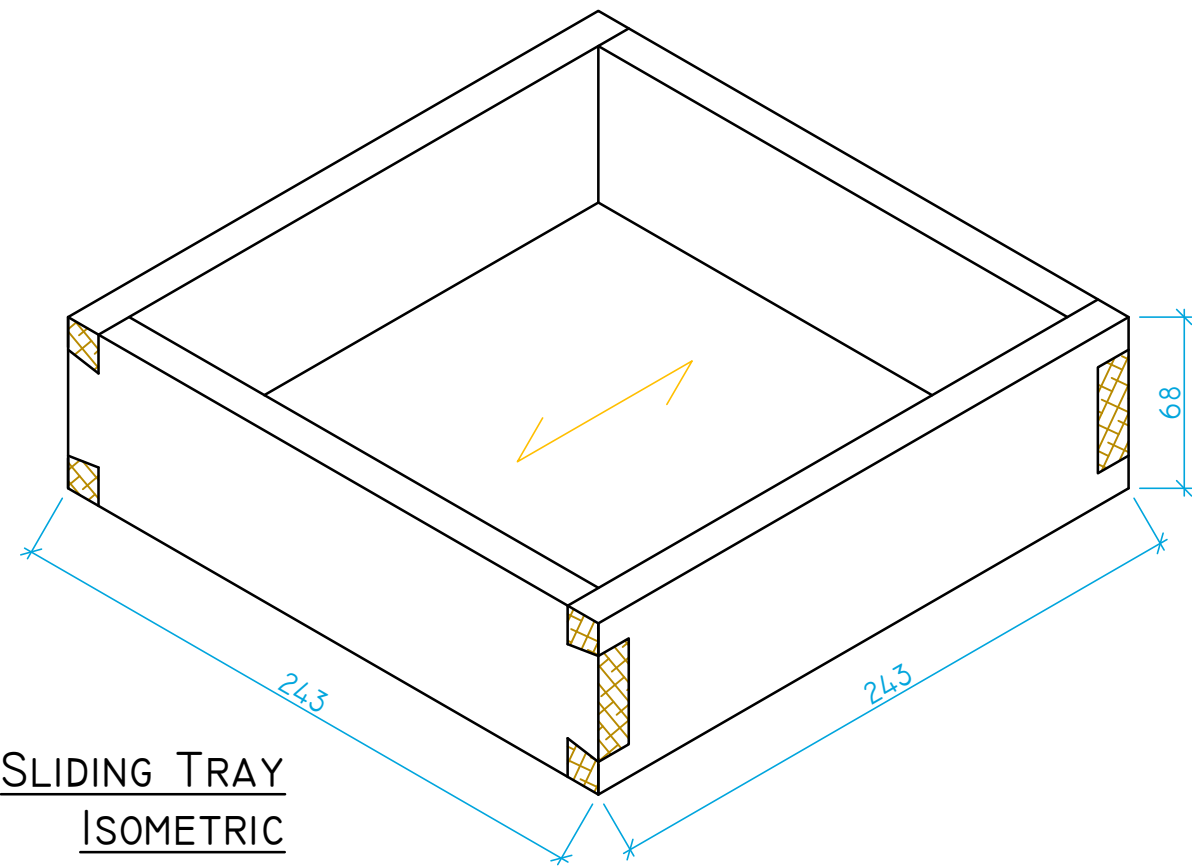
SHEET:

4 OF 4



SECTION C : C
SCALE 1 : 2

SLIDING TRAY
ISOMETRIC
SCALE 1 : 3



SLIDING TRAY CORNER DETAIL
SCALE 1 : 1

NOTE:
DRAWINGS FOR TRAINING PURPOSES ONLY
COMPETITION PROJECT MAY HAVE UP TO 30% CHANGE