

NOTES:

- CASE PARTS:
 - 18 AND 12 MM BALTIC BIRCH
 CASE JOINERY:
 - CORNERS MITRED WITH KEYS
 - DIVIDER GABLE, #20 BISCUITS
 - BOTTOM AND INTERIOR SHELF,
 6 X 6 T&G AND BISCUITS
 AS SHOWN
 HANDLE AND DRAWER FRONT:
 - ASH HARDWOOD OR SIMILAR
 DRAWER:
 - POPLAR HARDWOOD OR SIMILAR

PROJECT:

IRISH TOOL TOTE

LEVEL:

POST
SECONDARY

DRAWING DESCRIPTION

ORTHO VIEWS &
DWR DETAIL

DATE:

JAN 19, 2021

SCALE:

1 : 4

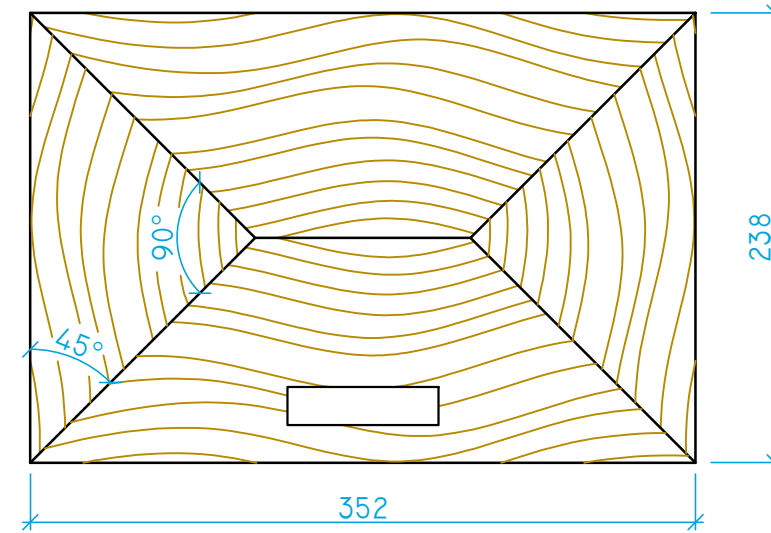
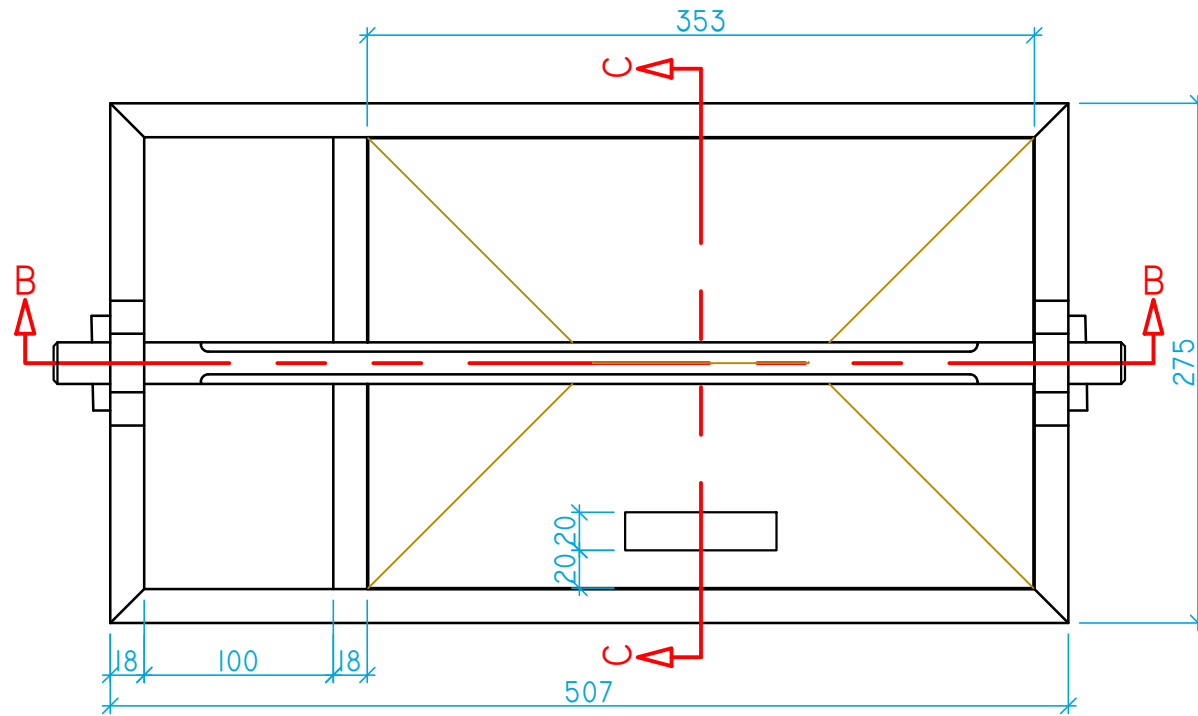
DRAWN BY:

HB

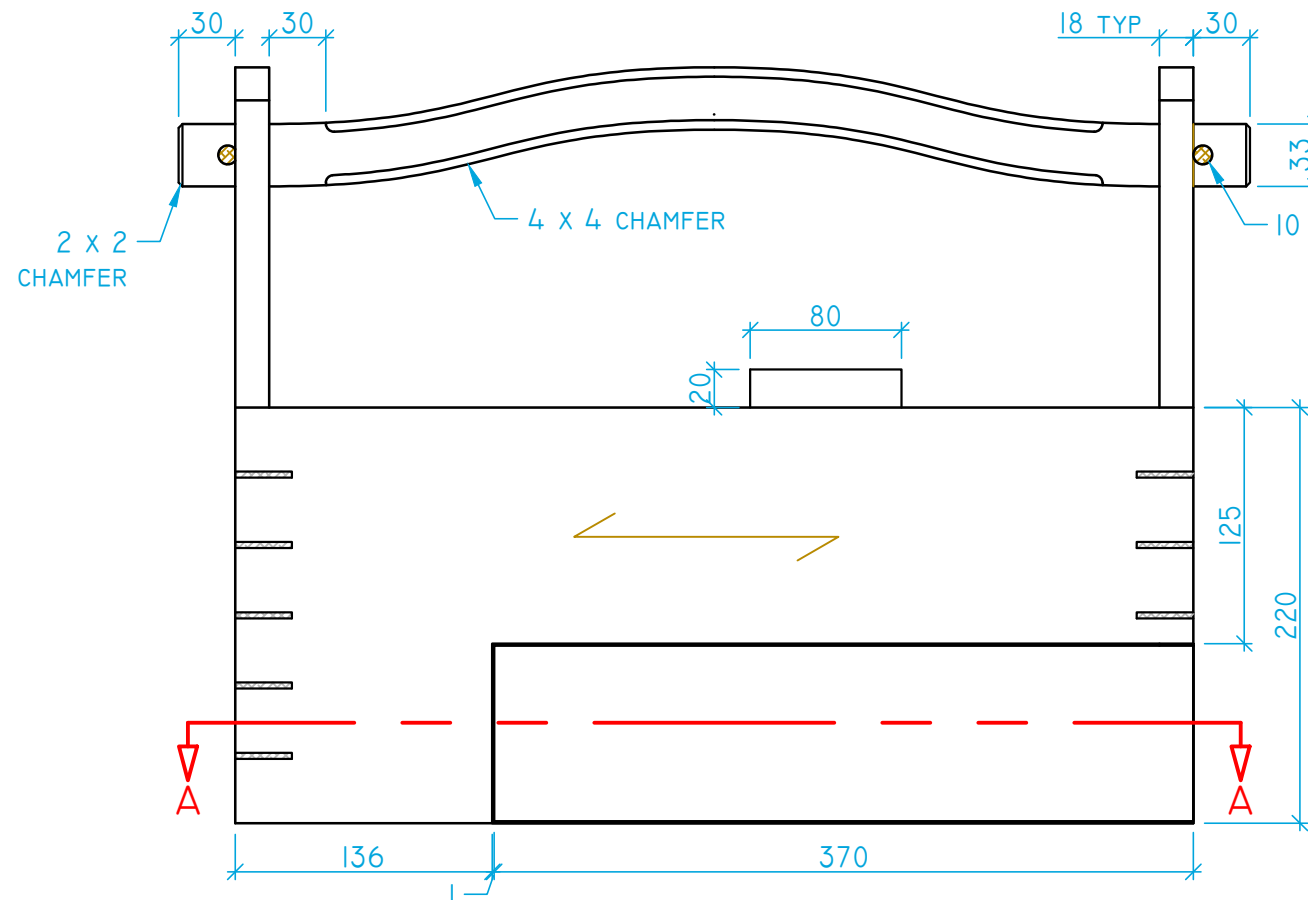
SHEET:

1 OF 3

NOTE:
DRAWINGS FOR TRAINING PURPOSES ONLY
COMPETITION PROJECT MAY HAVE UP TO 30% CHANGE



LID VENEER LAYOUT SCALE 1:4



ORTHO VIEWS SCALE 1:4

