

NOTES:

DOVETAIL JOINTS CUT BY HAND TOOLS ONLY. TO BE MARKED BEFORE AND AFTER ASSEMBLY.
DOWEL PIN TO LOCK IN HANDLE TO BE FLATTENED ON ONE SIDE FOR WEDGING ACTION.
DRAWER LOCK PIN WILL BE PROVIDED AND CAN BE USED AS SUPPLIED.

PROJECT:

IRISH TOOL TOTE

LEVEL:

POST
SECONDARY

DRAWING DESCRIPTION

SECTION A:A
SECTION B:B

DATE:

JAN 19, 2021

SCALE:

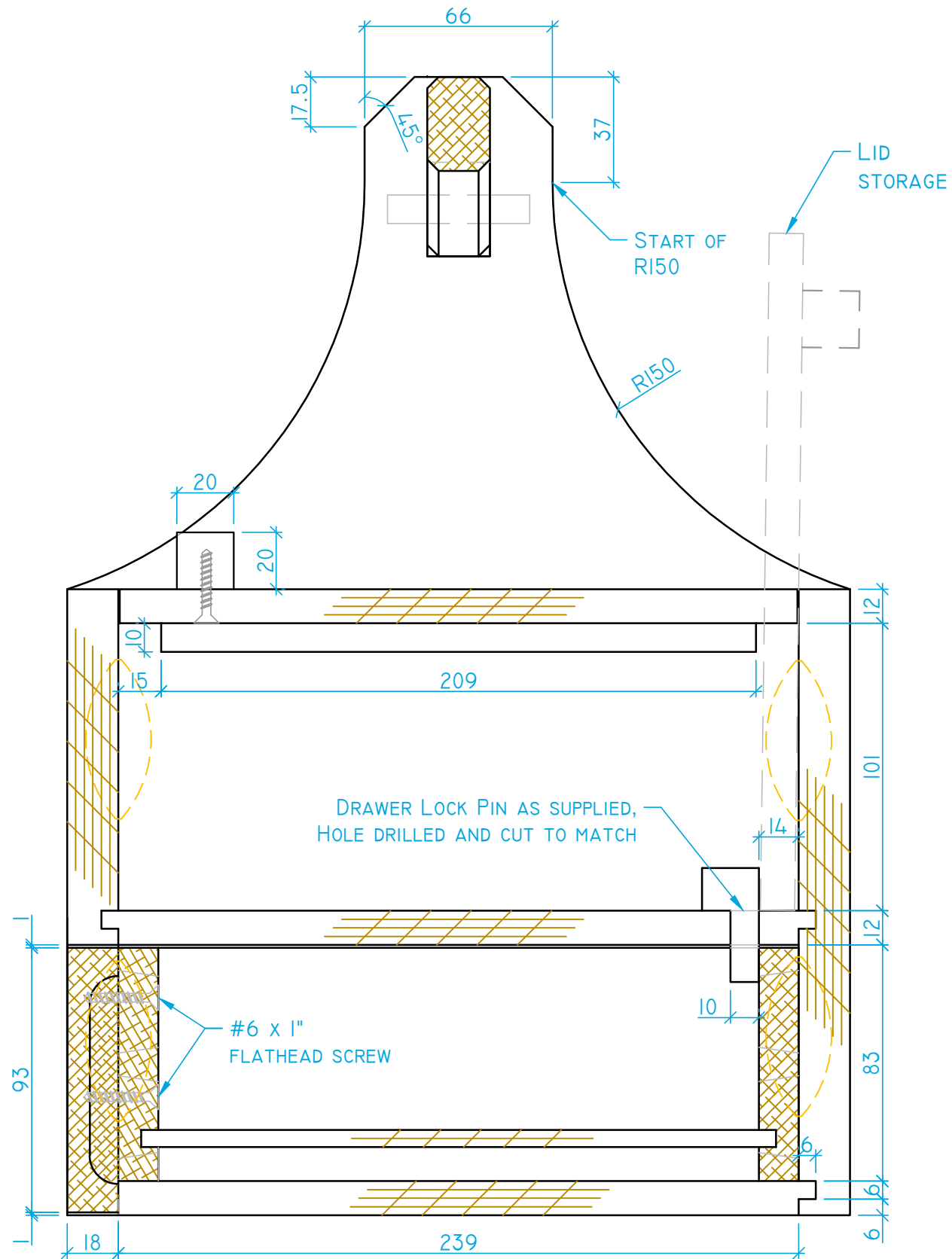
AS NOTED

DRAWN BY:

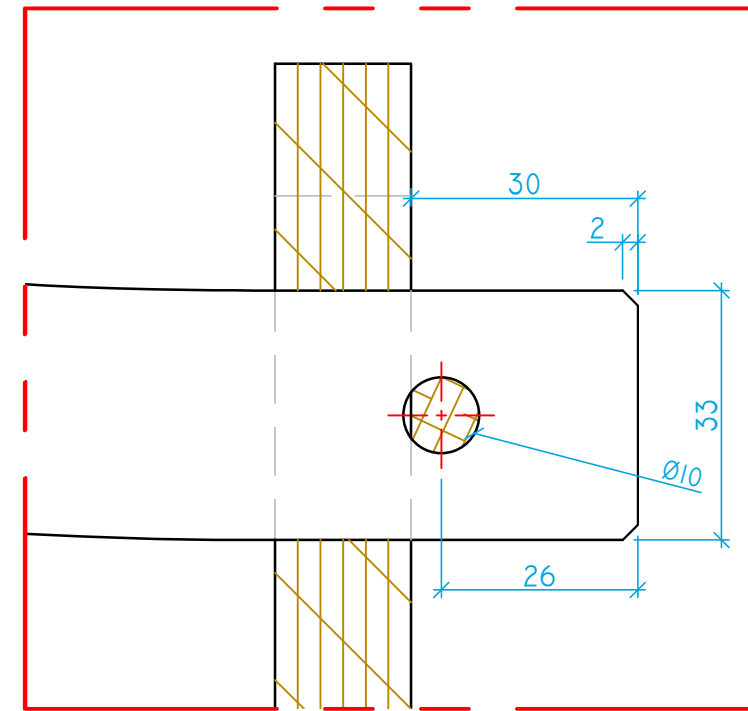
HB

SHEET:

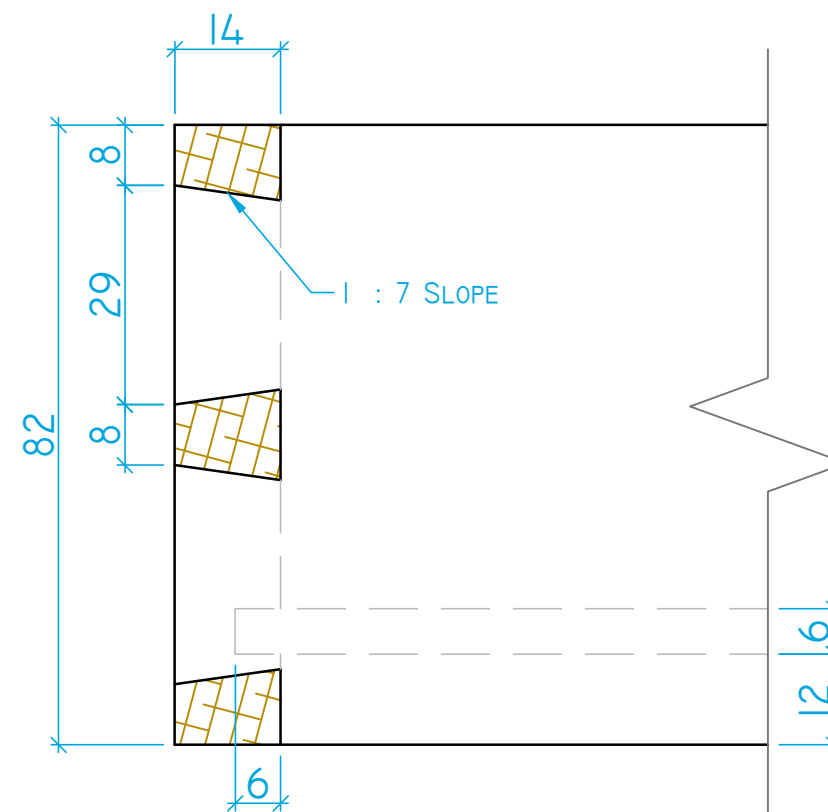
3 OF 3



SECTION C : C
SCALE 1 : 2



DETAIL I - HANDLE DOWEL PIN
SCALE 1 : 1



DRAWER BOX CORNER DETAIL
SCALE 1 : 1

NOTE: DRAWINGS FOR TRAINING PURPOSES ONLY. COMPETITION PROJECT MAY HAVE UP TO 30% CHANGE