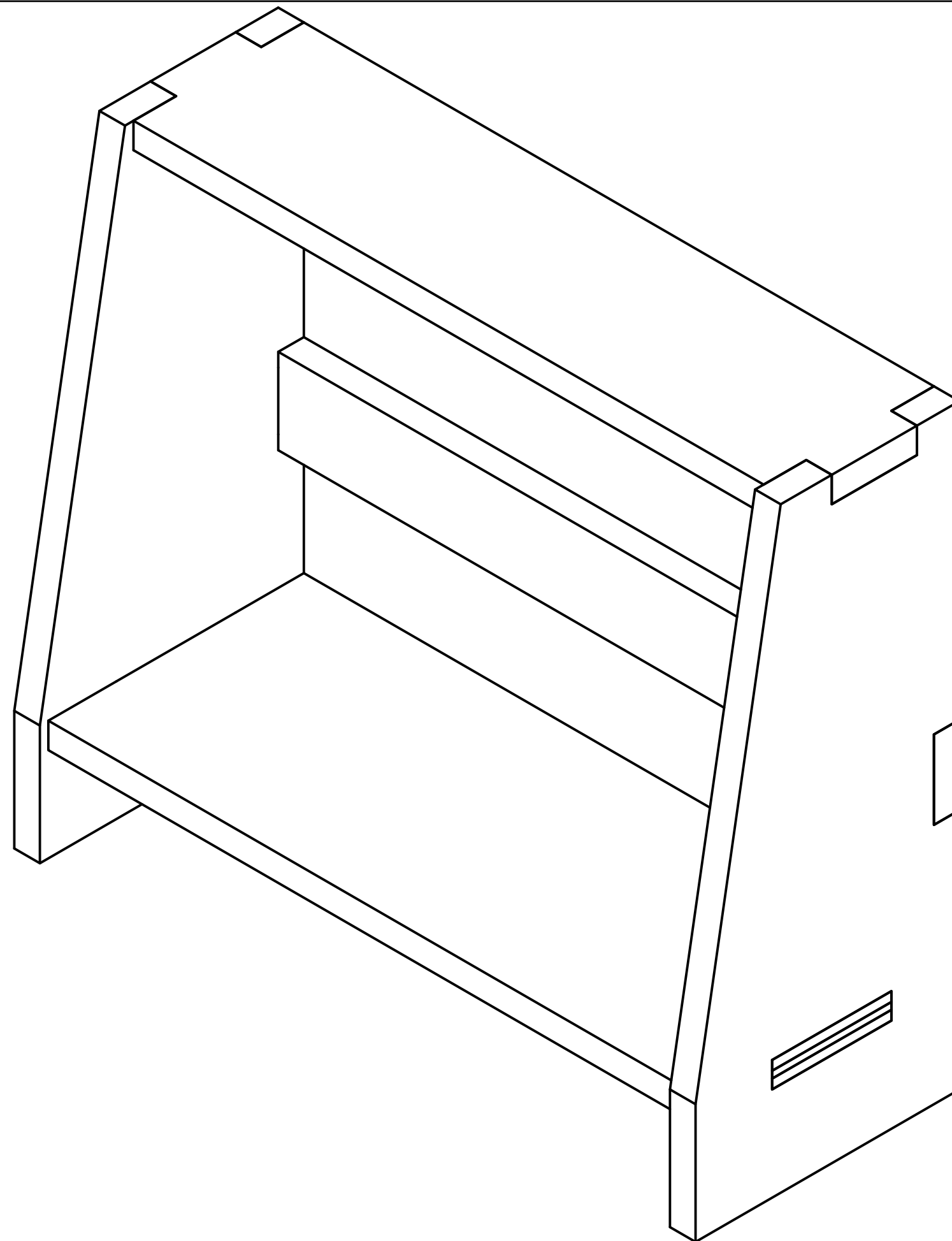


CORNER TABLE  
 TABLE OF CONTENTS:  
 PAGE 1 ISOMETRIC  
 PAGE 2 EXPLODED  
 PAGE 3 ORTHOGRAPHIC  
 PAGE 4 DETAILS



**General Notes**

- INDICATES MARKING POINT

No.	Revision/Issue	Date



Project Name  
**SHELF**

Drawing <b>ISOMETRIC</b>	Sheet <b>1</b>
Date <b>FEB. 2021</b>	of <b>4</b>
Scale <b>1:3</b>	

**General Notes**

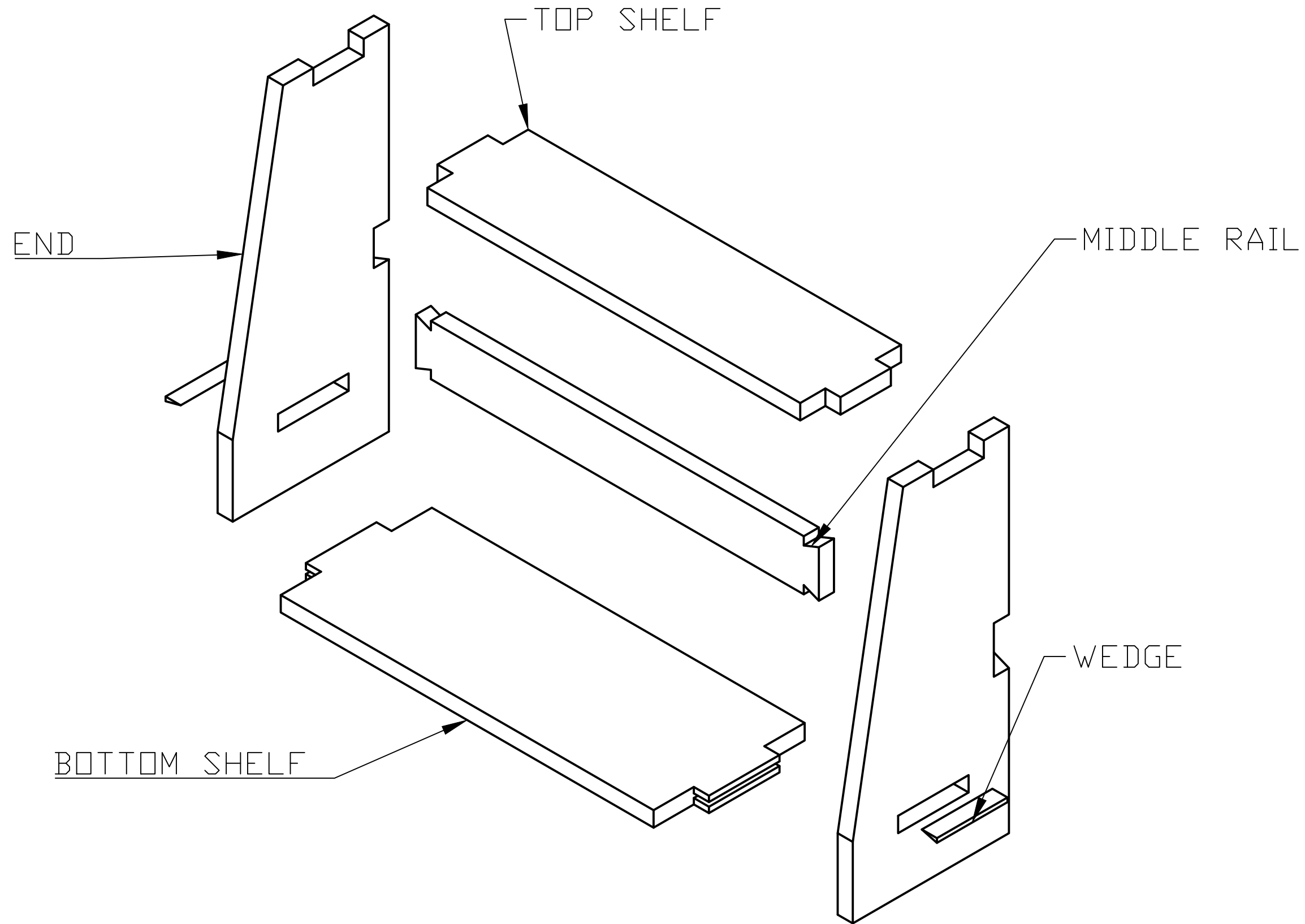
1. ENDS 15 MM THICK  
HARDWOOD, TYPE TBA
2. TOP/BOTTOM SHELF 15  
MM HARDWOOD, TYPE TBA
3. MIDDLE RAIL 15 MM  
HARDWOOD, TYPE TBA
4. WEDGES CONTRASTING  
HARWOOD, TYPE TBD

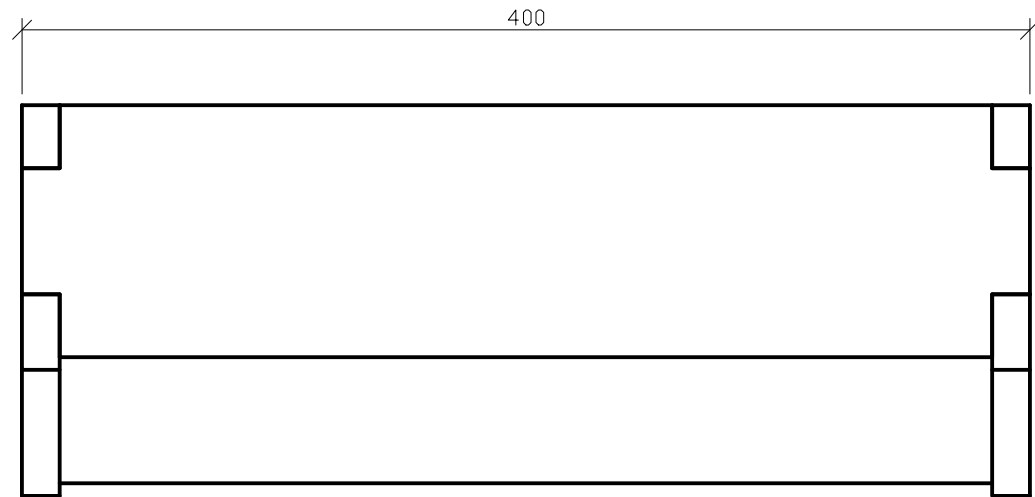
No.	Revision/Issue	Date



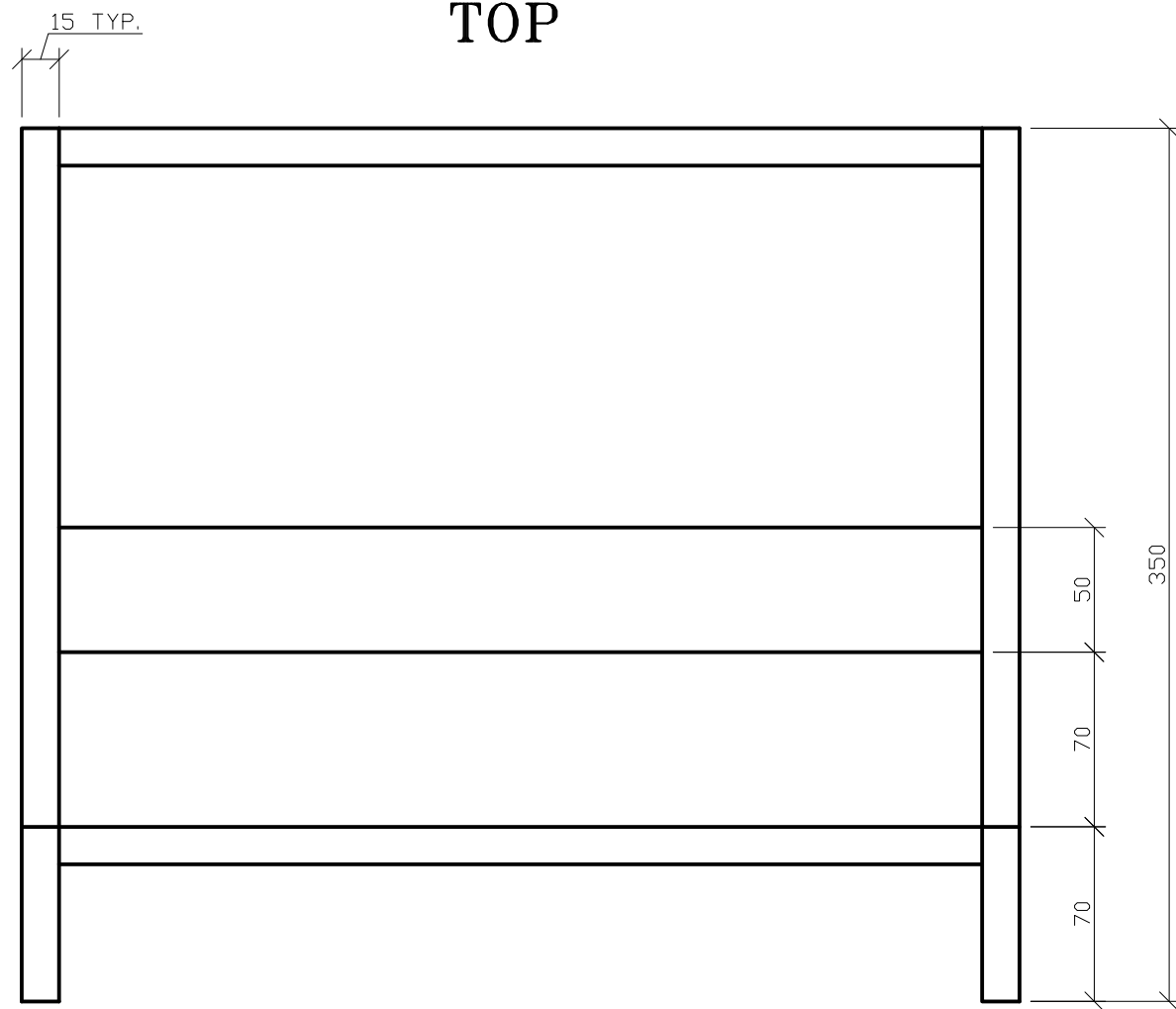
**Project Name**  
**SHELF**

<b>Drawing</b> EXPLODED	<b>Sheet</b> 2 of 4
<b>Date</b> FEB. 2021	
<b>Scale</b> 1:3	

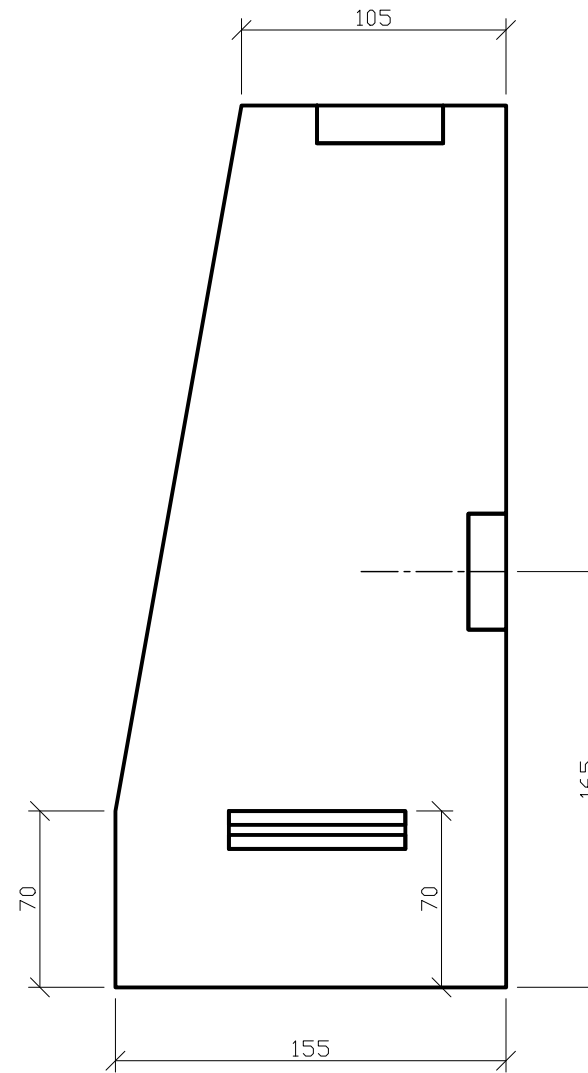




TOP



FRONT



LEFT SIDE

General Notes

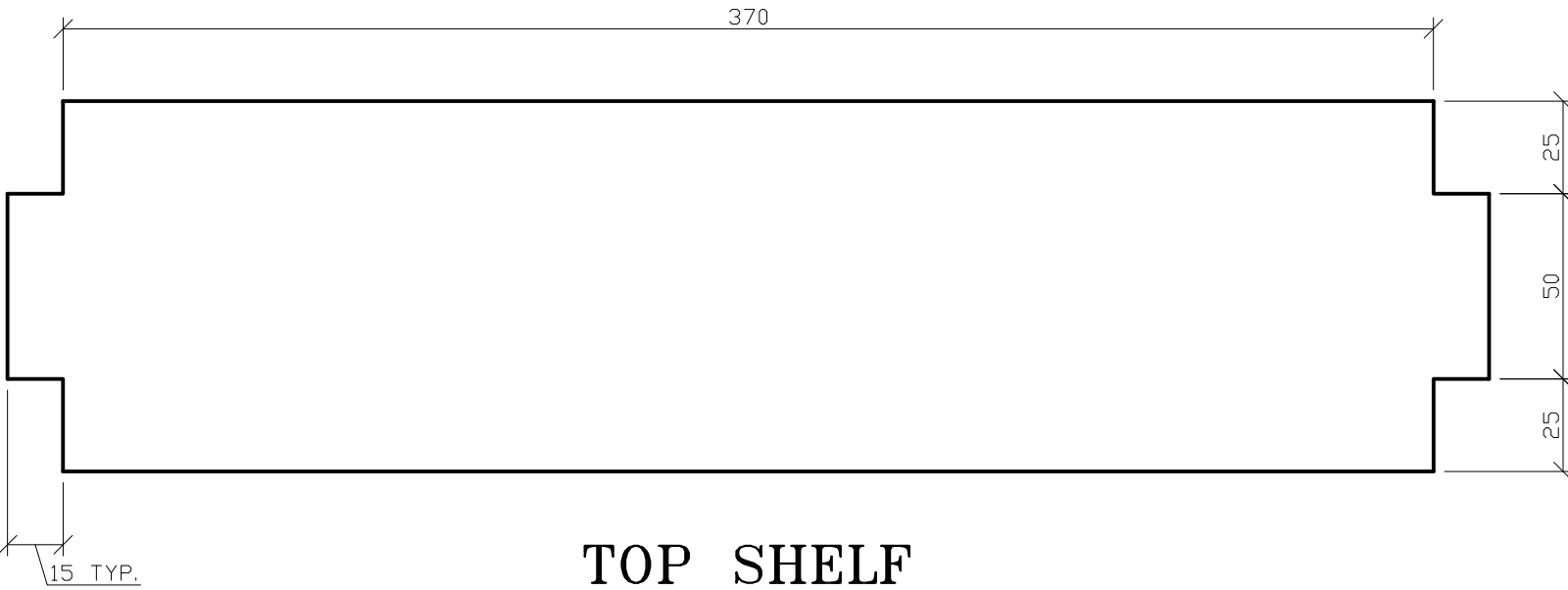
1. NOTES

No.	Revision/Issue	Date

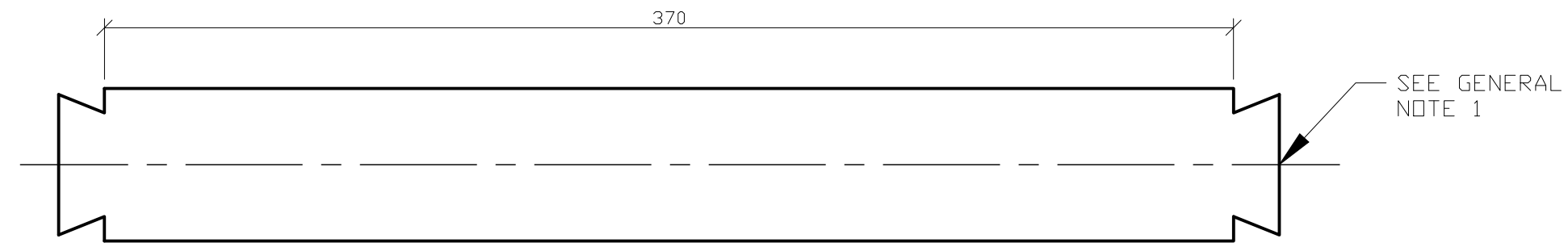
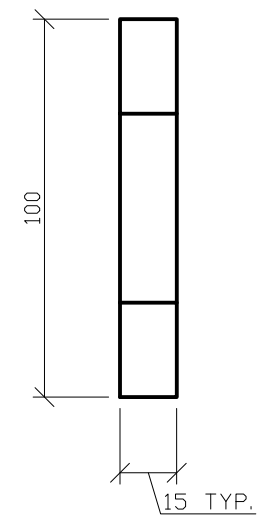


Project Name  
**Shelf**

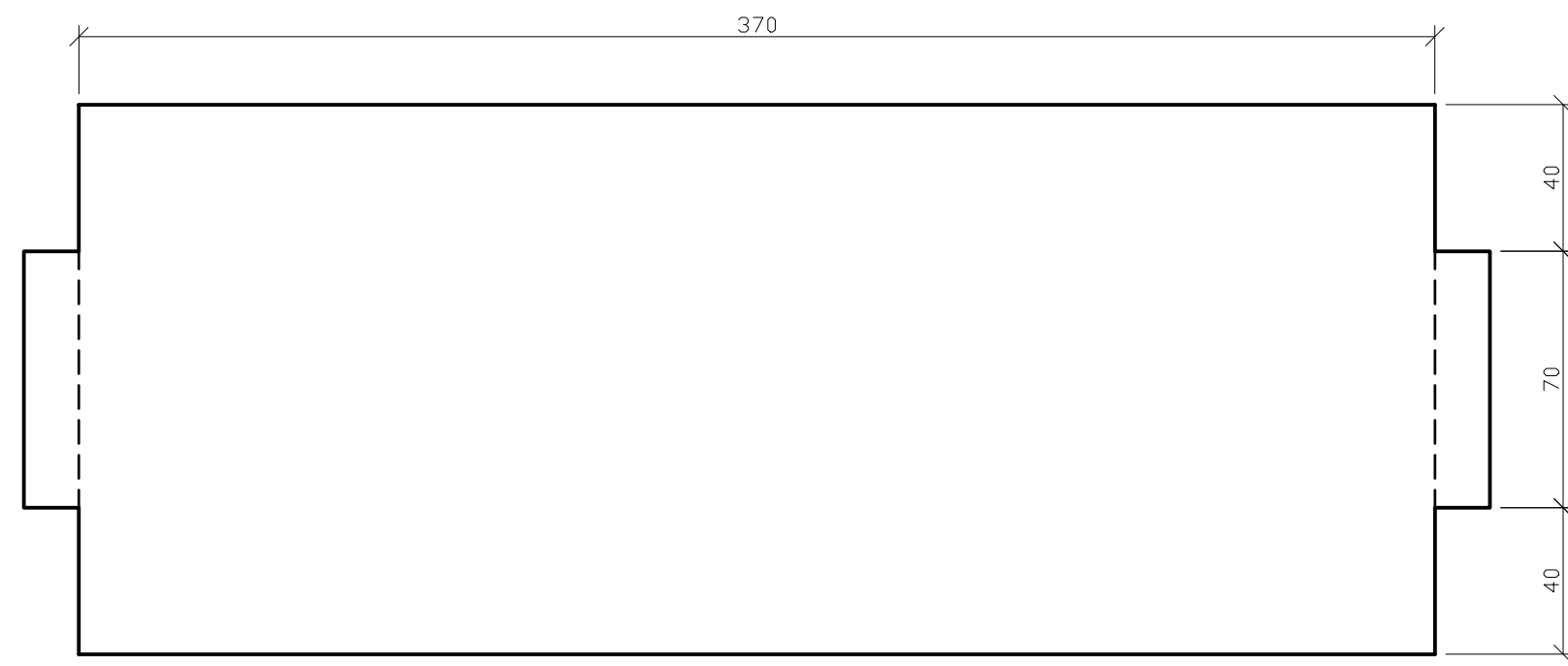
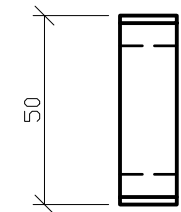
Drawing <b>ORTHOGRAPHIC</b>	Sheet <b>3 of 4</b>
Date <b>FEB. 2021</b>	
Scale <b>1:3</b>	



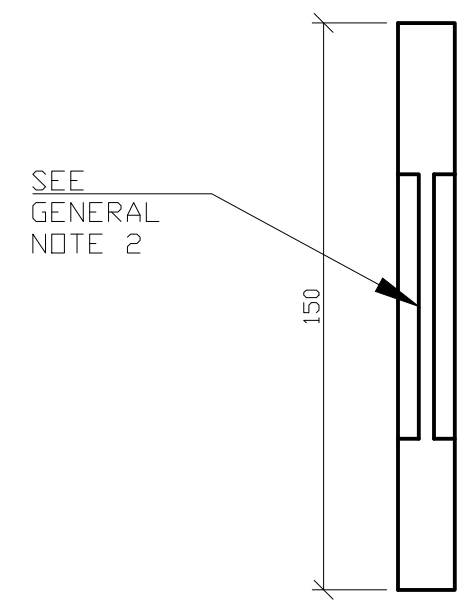
**TOP SHELF**



**MIDDLE RAIL**



**BOTTOM SHELF**



**END VIEW**

**General Notes**

1. THE DOVETAIL LAYOUT SHOULD BE CONSISTENT ON BOTH ENDS AND CENTERED ON THE RAIL. THE DEGREE AND OVERALL SIZE OF THE DOVETAIL IS AT THE DISCRETION OF THE STUDENT.
2. A SAW KERF IS NEEDED IN THE ENDS OF THE BOTTOM SHELF TO ACCEPT THE WEDGES MADE TO TIGHTEN THE JOINT.

No.	Revision/Issue	Date



**Project Name**

**SHELF**

<b>Drawing</b>	<b>DETAILS</b>	<b>Sheet</b>
<b>Date</b>	FEB. 2021	4 of 4
<b>Scale</b>	1:2	4