

**NOTE:**  
 DRAWINGS FOR TRAINING PURPOSES ONLY  
 COMPETITION PROJECT MAY HAVE UP TO 30% CHANGE



**NOTES:**

- CASE PARTS:**
- 19 AND 6 MM CHERRY PLY
  - 6 MM SOLID EDGING, TOP EDGE
- CASE JOINERY:**
- MITRED CORNERS WITH DOWELS
  - BOTTOM IN 6 X 6 GROOVE
- LID:**
- LIFT OUT LID WITH 2 X 2 CHAMFER AND FINGER PULL
- SURFACE PREPARATION:**
- ALL SURFACES SHOULD BE SANDED TO 150 GRIT WITH NO VISIBLE PENCILMARKS OR CROSS-SANDING
  - EDGES SHOULD BE SLIGHTLY BROKEN (+/- 0.5 MM)

**PROJECT:**

**BUTTON BOX**

**LEVEL:**

**VIRTUAL SECONDARY COMPETITION**

**DRAWING DESCRIPTION**

**ORTHOGRAPHIC VIEWS**

**DATE:**

FEB. 11, 2022

**SCALE:**

1 : 2

**DRAWN BY:**

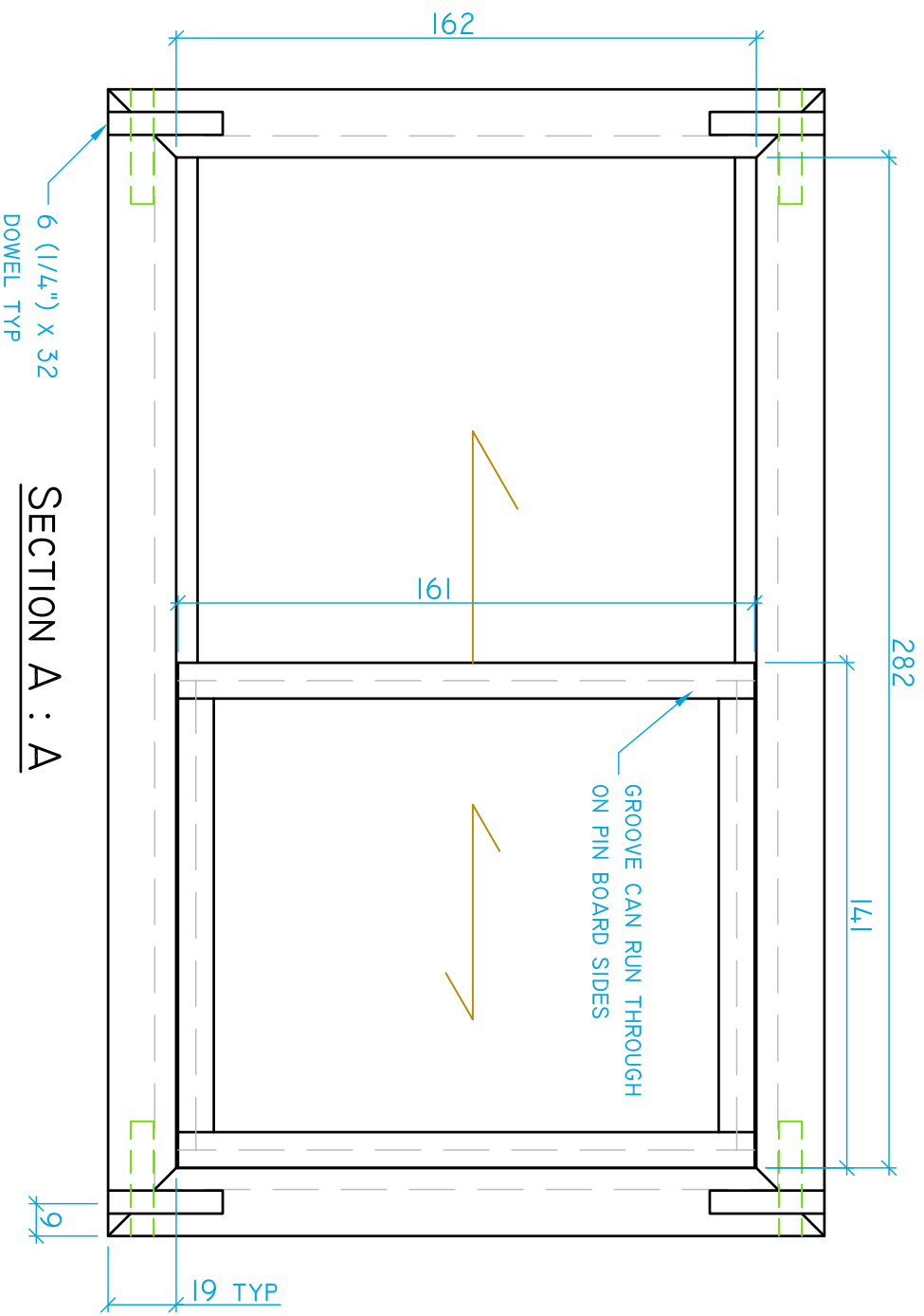
IM / HB

**SHEET:**

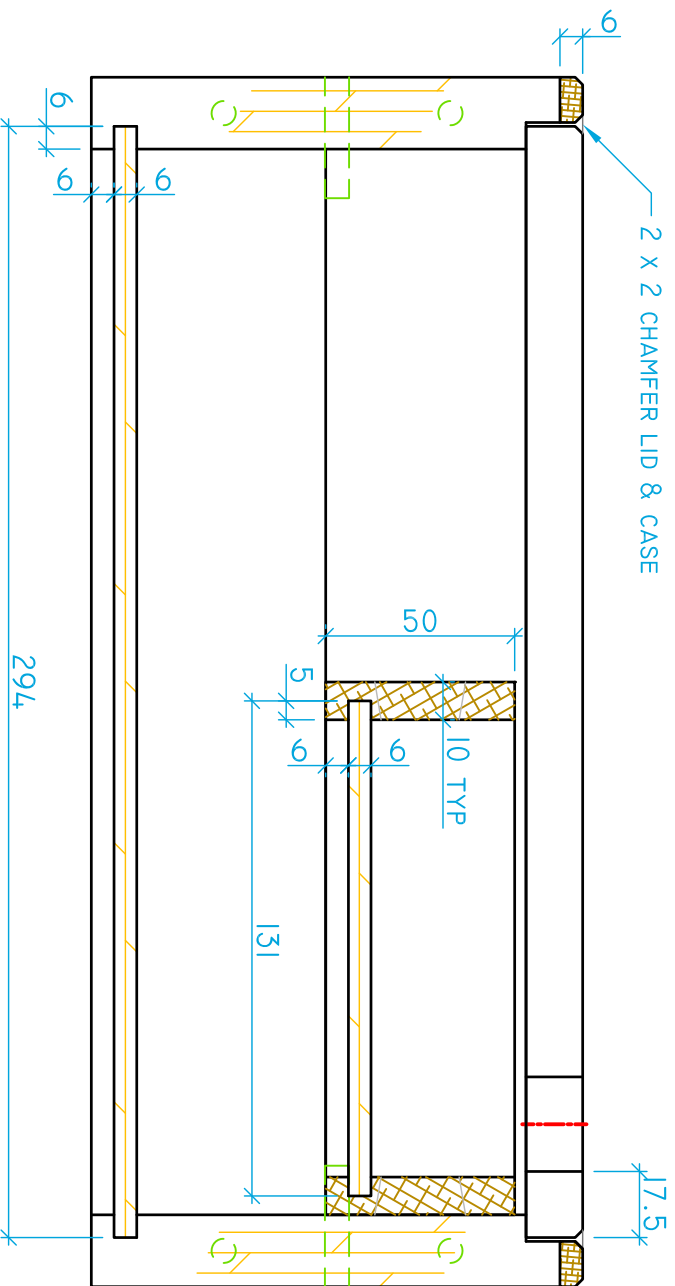
1 OF 2

**ORTHO VIEWS SCALE 1 : 2**

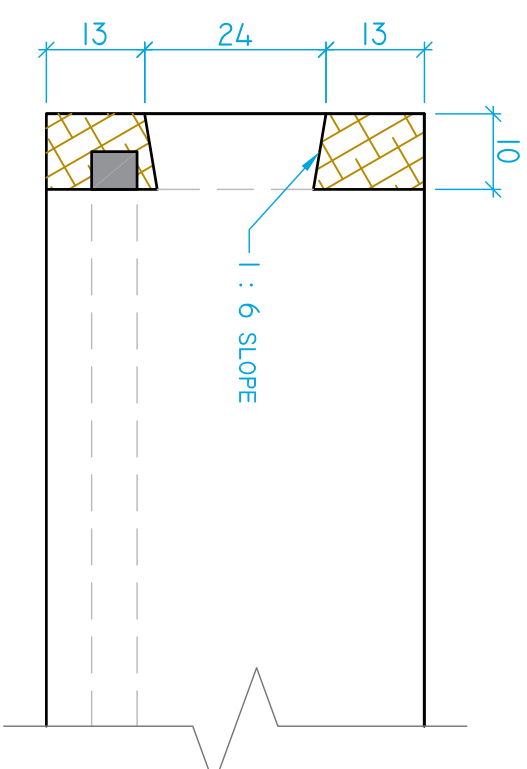
**NOTE:**  
DRAWINGS FOR TRAINING PURPOSES ONLY  
COMPETITION PROJECT MAY HAVE UP TO 30% CHANGE



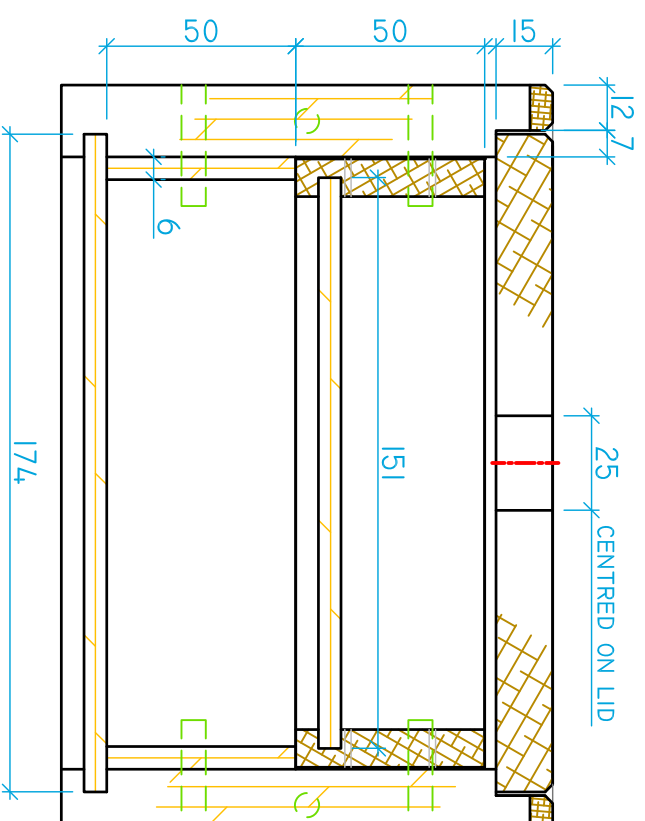
**SECTION A : A**



**SECTION B : B**



**TRAY DOVETAIL CORNER DETAIL**  
TYP ALL 4 CORNERS SCALE 1 : 1



**SECTION C : C**

**NOTES:**

- CASE PARTS:**  
- 19 AND 6 MM CHERRY PLYWOOD
- CASE JOINERY:**  
- MITRED CORNERS WITH DOWELS  
- BOTTOM IN 5 X 6 GROOVE
- TRAY:**  
- CHERRY HARDWOOD OR SIMILAR  
- 6 MM PLY BOTTOM IN 5 X 6 GROOVE
- DOVETAIL CORNERS CUT WITH HAND TOOLS ONLY  
- DOVETAILS NEED TO BE SUBMITTED PRIOR TO ASSEMBLY (PHOTO OR JUDGE) TO RECEIVE "PRIOR TO ASSEMBLY" MARKS  
- TRAY SLIDES ON 6 MM PLY RAILS  
- EDGING SUPPLIED 6X20 MM

**PROJECT:**

**BUTTON BOX**

**LEVEL:**  
VIRTUAL SECONDARY

**COMPETITION**

**DRAWING DESCRIPTION**  
SECTION VIEWS,  
TRAY DETAIL

**DATE:**

FEB. 11, 2022

**SCALE:**

1 : 2

**DRAWN BY:**

IM / HB

**SHEET:**

2 OF 2