

MINI JAPANESE SAWHORSE

TABLE OF CONTENTS:

- PAGE 1 ISOMETRIC
- PAGE 2 EXPLODED
- PAGE 3 ORTHOGRAPHIC
- PAGE 4 LEG
- PAGE 5 BEAM/DETAIL

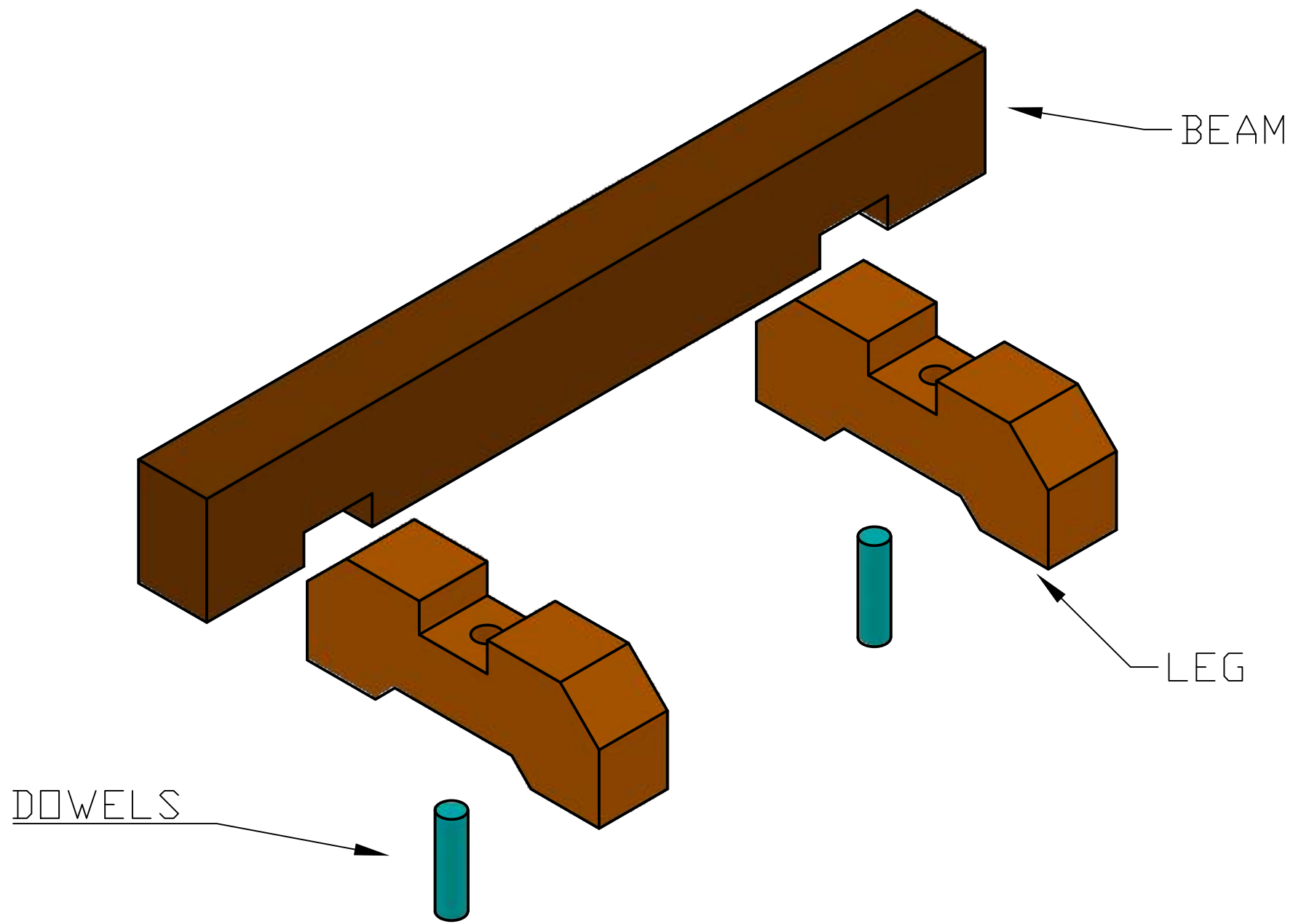
General Notes

| No. | Revision/Issue | Date |
|-----|----------------|------|
| | | |
| | | |
| | | |



Project Name
**MINI
 JAPANESE
 SAWHORSE**

| | |
|-----------------------------|-------------------|
| Drawing ISOMETRIC | Sheet 1 |
| Date MARCH 2022 | of 5 |
| Scale 1:2 | |



General Notes

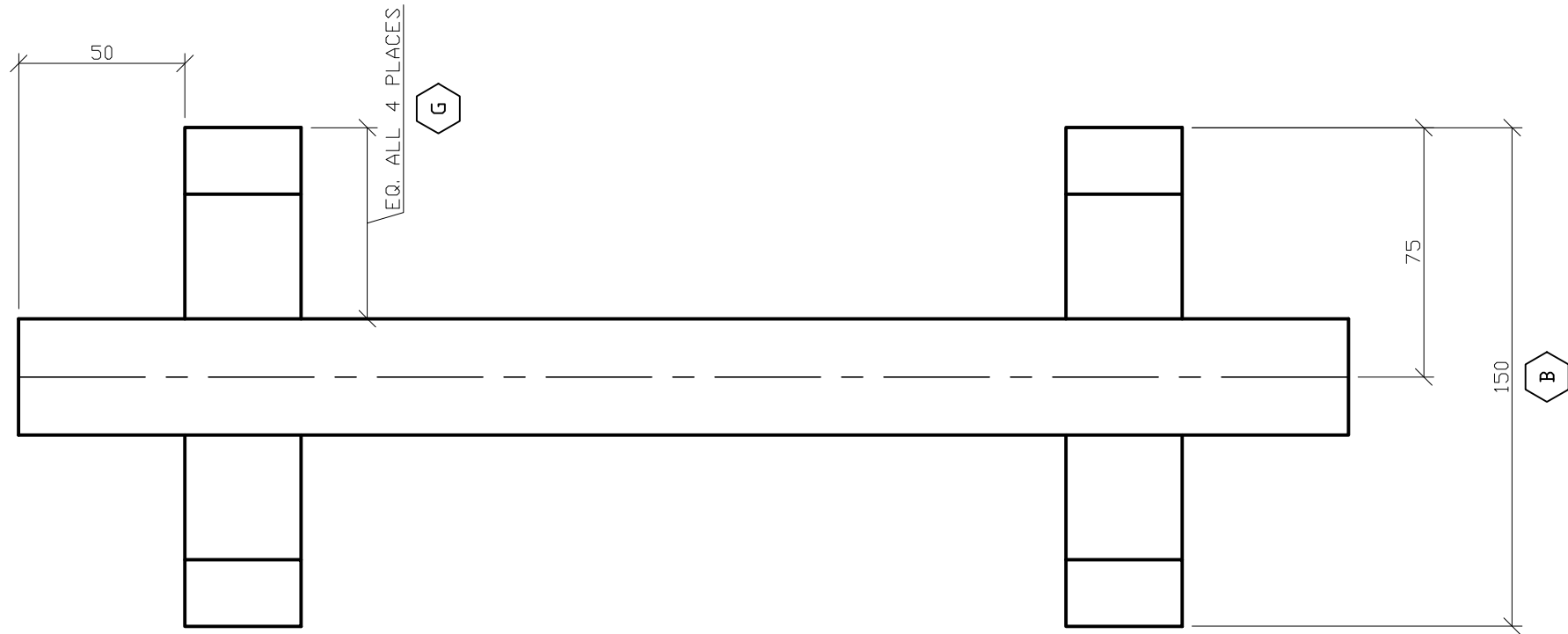
1. LEG AND BEAM MADE FROM POPLAR
2. 1/2" HARDWOOD DOWEL
3. THIS IS A HAND TOOL PROJECT

| No. | Revision/Issue | Date |
|-----|----------------|------|
| | | |
| | | |
| | | |

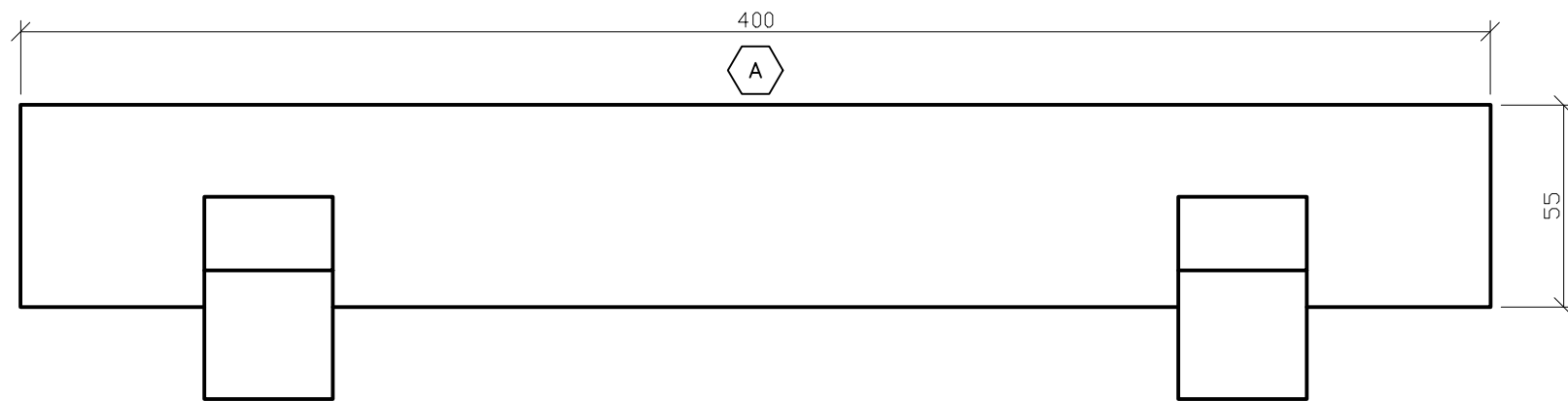


Project Name
 MINI
 JAPANESE
 SAWHORSE

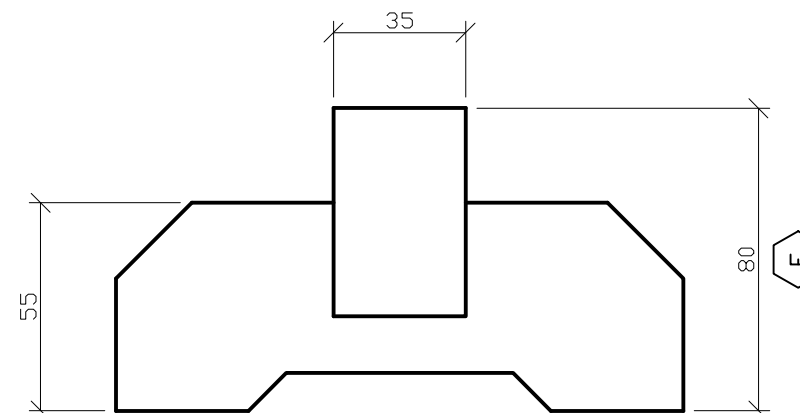
| | |
|----------------------------|--------------|
| Drawing EXPLODED | 2 of 5 |
| Date MARCH 2022 | |
| Scale 1:2 | |



TOP



FRONT



RIGHT SIDE

General Notes

1. NOTES

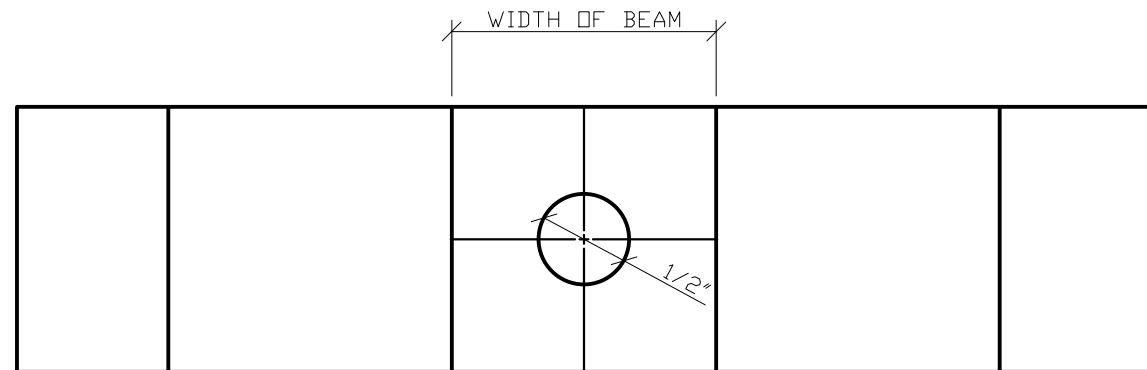
REFERS TO THE REFERENCE POINT ON THE EVALUATION SHEET

| No. | Revision/Issue | Date |
|-----|----------------|------|
| | | |
| | | |
| | | |

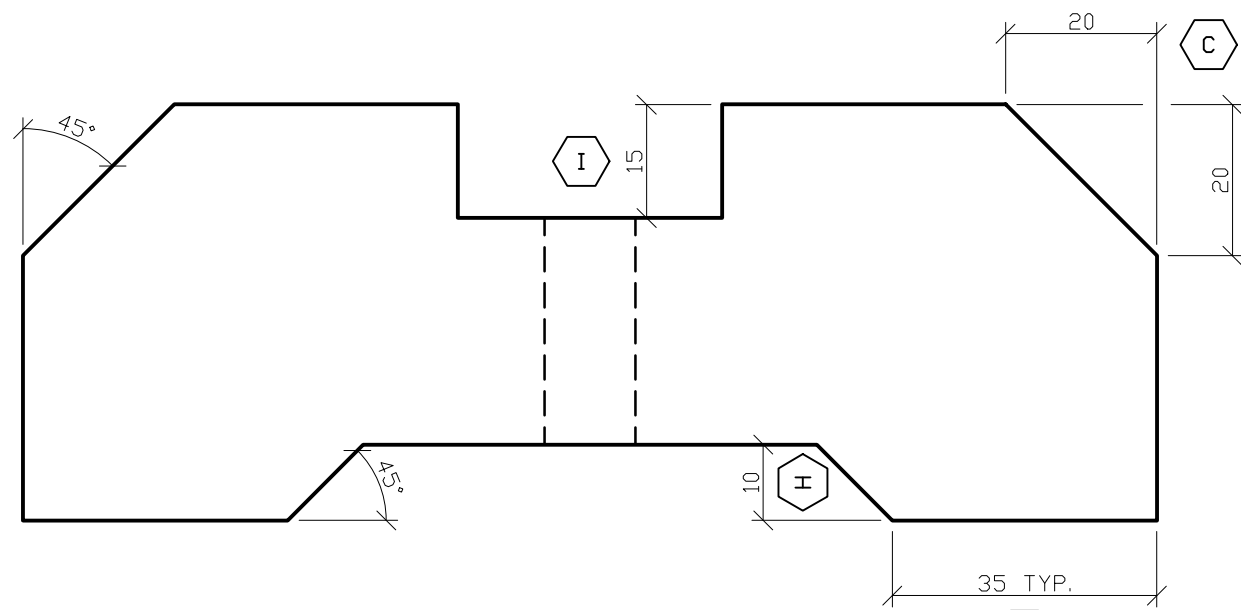


Project Name
MINI JAPANESE SAWHORSE

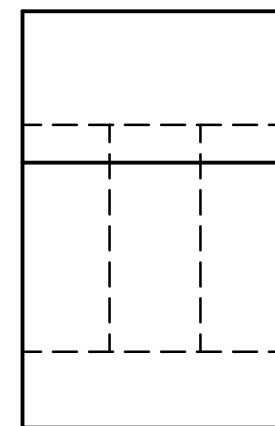
| | |
|--------------------------------|------------------------|
| Drawing ORTHOGRAPHIC | Sheet 3 of 5 |
| Date MARCH 2022 | |
| Scale 1:2 | |



TOP



FRONT



RIGHT SIDE

General Notes

1. 1/2" HOLE FOR HARDWOOD DOWEL TO BE CENTERED IN THE NOTCH IN THE LEG AND BEAM AFTER FITTING IS COMPLETED
2. DOWEL IS TO BE CUT FLUSH WITH NO BLOWOUTS

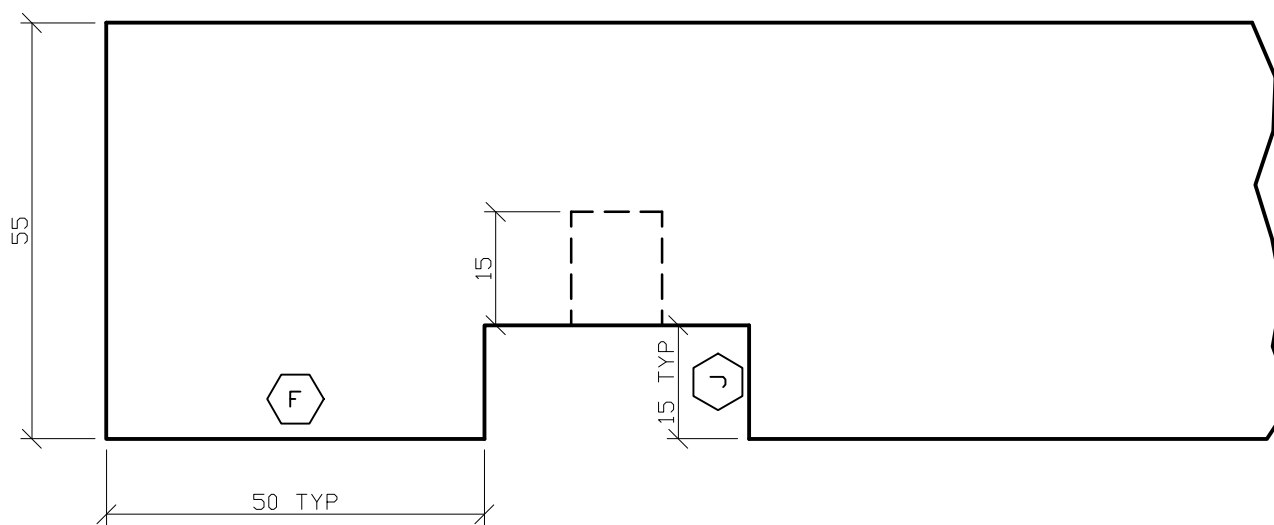
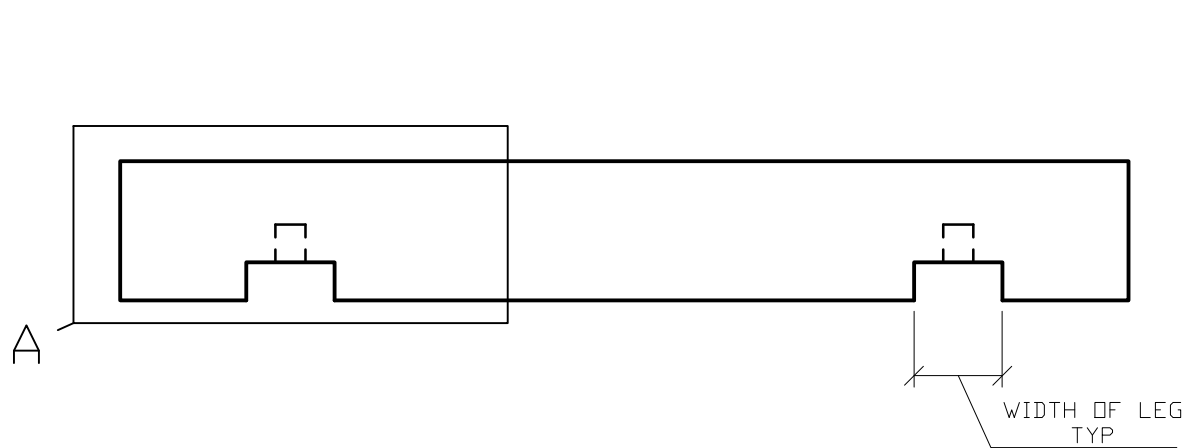
REFERS TO THE REFERENCE POINT ON THE EVALUATION SHEET

| No. | Revision/Issue | Date |
|-----|----------------|------|
| | | |
| | | |
| | | |

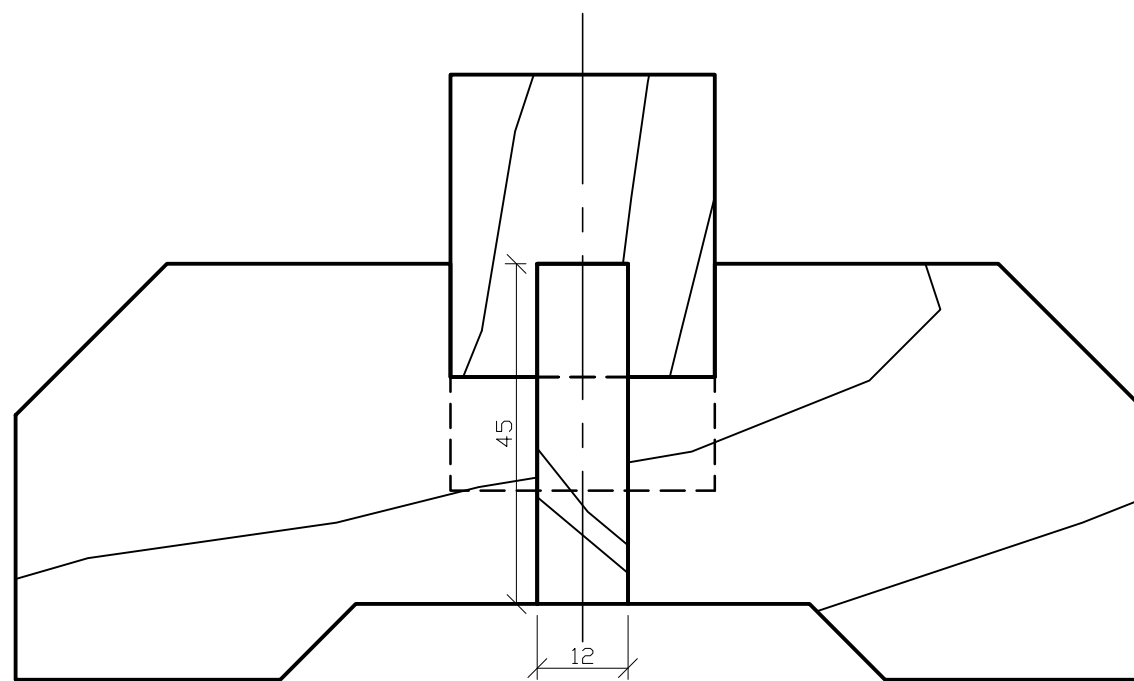
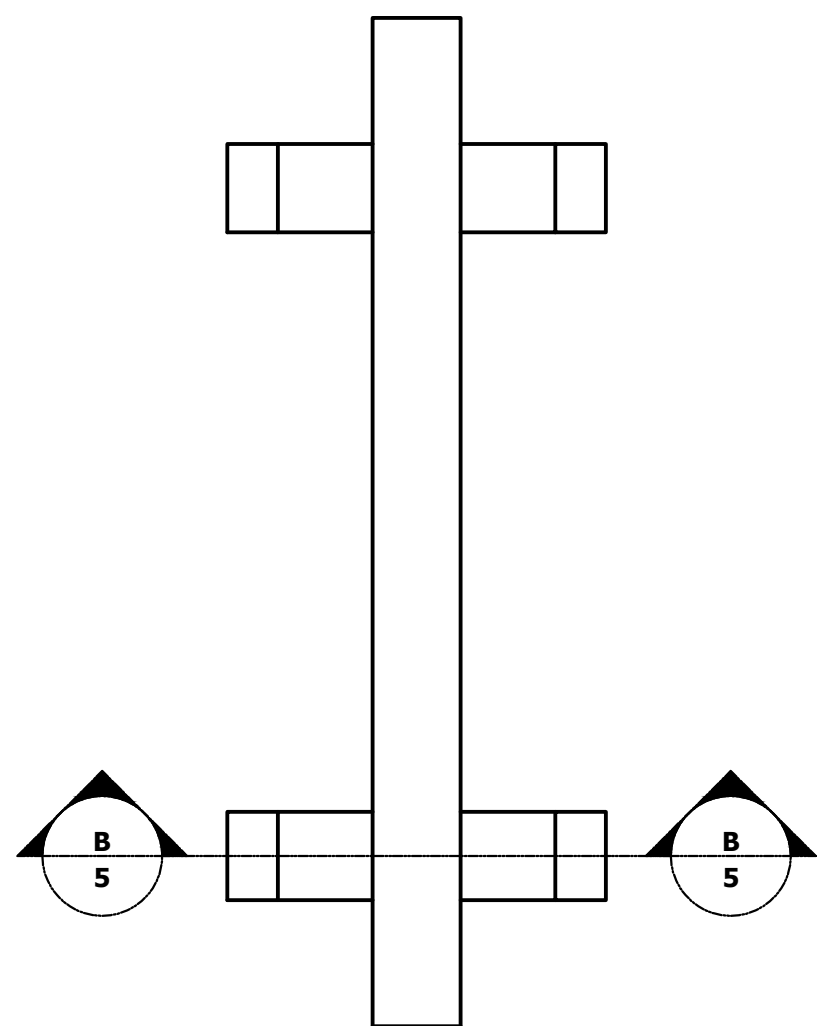


Project Name
MINI JAPANESE SAWHORSE

| | |
|---------------------------|----------------------------|
| Drawing LEG | 4 of 5 |
| Date MARCH 2022 | |
| Scale 1:1 | |



A SCALE 1:1



B-B SCALE 1:1

General Notes

REFERS TO THE REFERENCE POINT ON THE EVALUATION SHEET

| No. | Revision/Issue | Date |
|-----|----------------|------|
| | | |
| | | |
| | | |



Project Name
 MINI
 JAPANESE
 SAWHORSE

| | |
|-------------------------------|------------------------|
| Drawing BEAM/DETAIL | Sheet 5 of 5 |
| Date MARCH 2022 | |
| Scale APD | |