

**General Notes**

FOR EDUCATIONAL PURPOSE ONLY

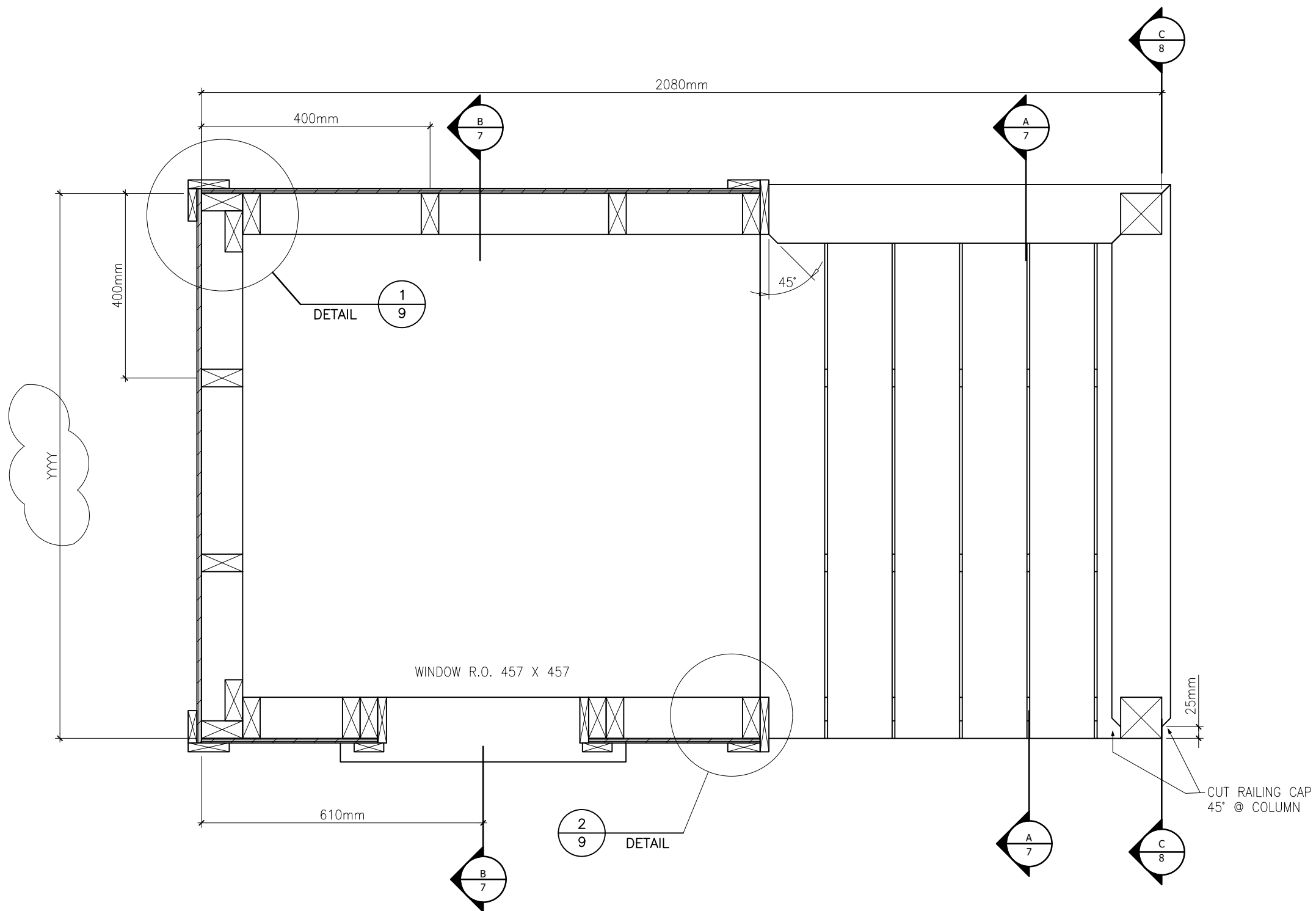
- 1) ALL FASTENING TO BE IN ACCORDANCE WITH THE NBC.
- 2) DECKING AND RAILING ATTACHED WITH SCREWS

No.	Revision/Issue	Date



PLAYHOUSE  
2021

Drawing	ISOMETRIC	Sheet	1
Date	MAY '21		
Scale	1:15		



FLOOR PLAN

General Notes

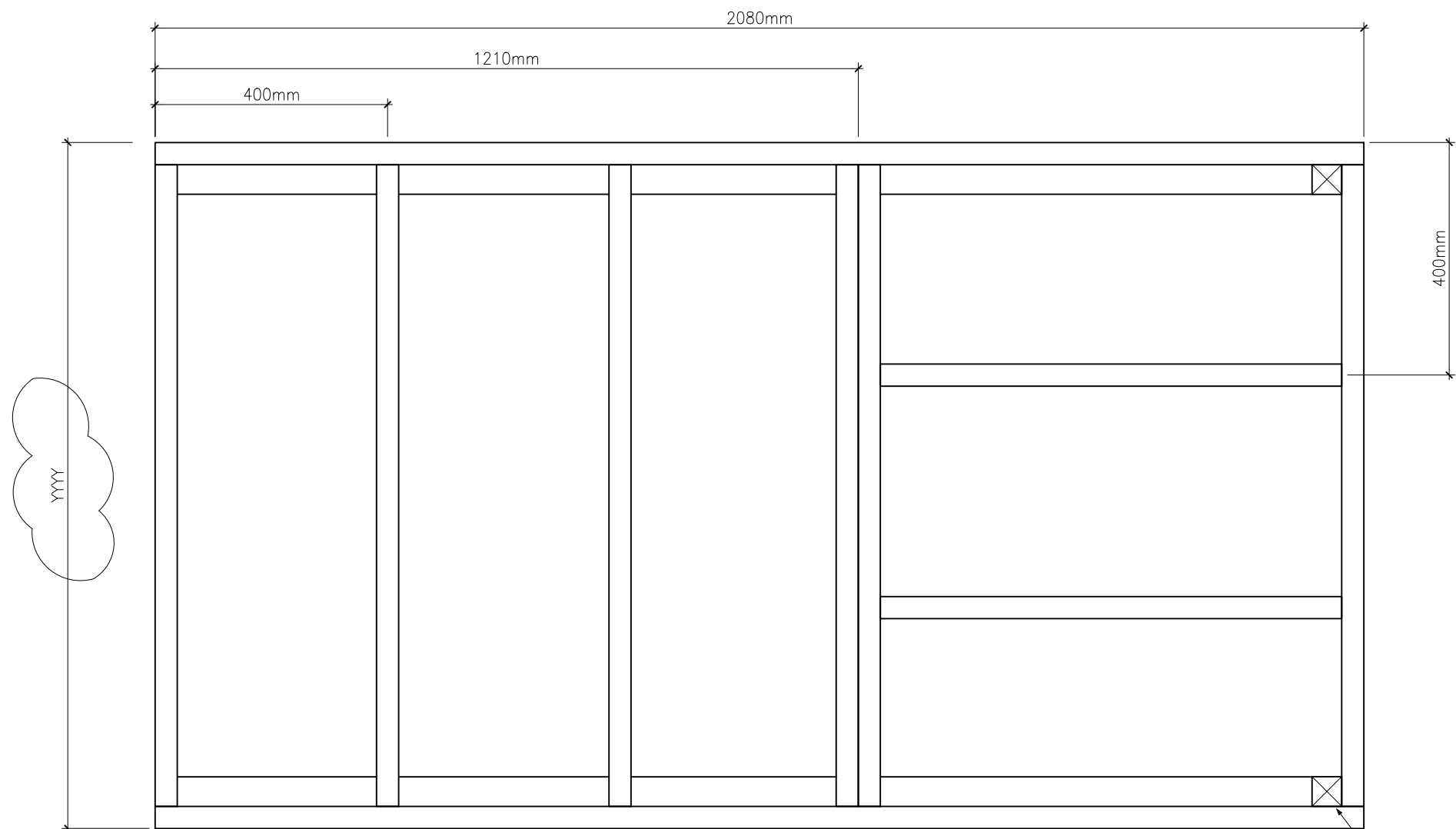
- FOR EDUCATIONAL PURPOSE ONLY
- 1) ALL FASTENING TO BE IN ACCORDANCE WITH THE NBC.
  - 2) DECKING AND RAILING ATTACHED WITH SCREWS

No.	Revision/Issue	Date



PLAYHOUSE  
2021

Drawing	FLOOR PLAN	Sheet	2
Date	MAY '21		
Scale	1:10		



POST TO BE NOTCHED TO FIT FLOOR FRAME AND EXTEND TO SKID TYP.

FLOOR FRAMING PLAN

**General Notes**

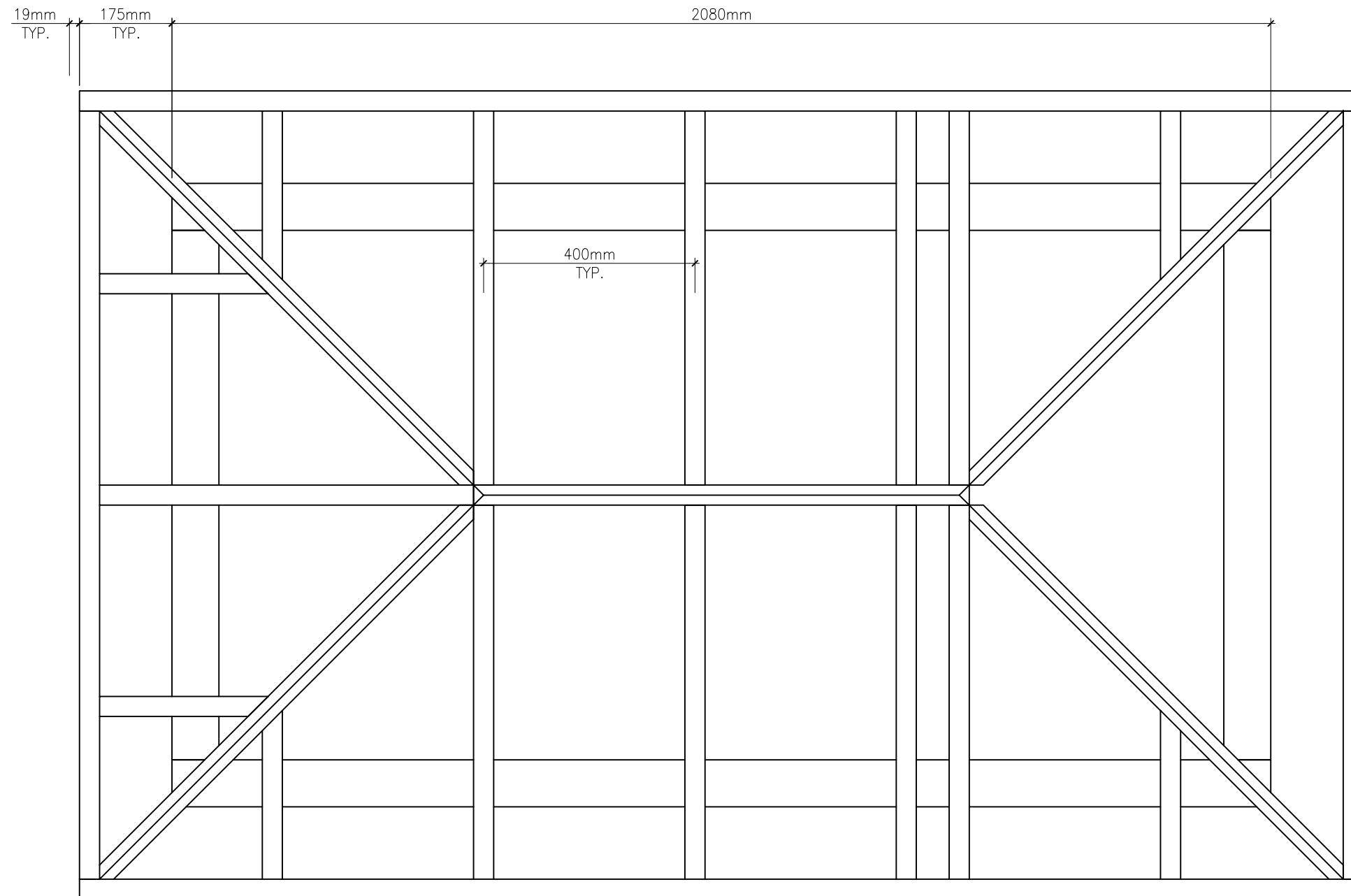
FOR EDUCATIONAL PURPOSE ONLY

No.	Revision/Issue	Date



PLAYHOUSE  
2021

Drawing	FLOOR FRAMING PLAN	Sheet	3
Date	MAY '21		
Scale	1:10		



ROOF FRAMING PLAN

**General Notes**

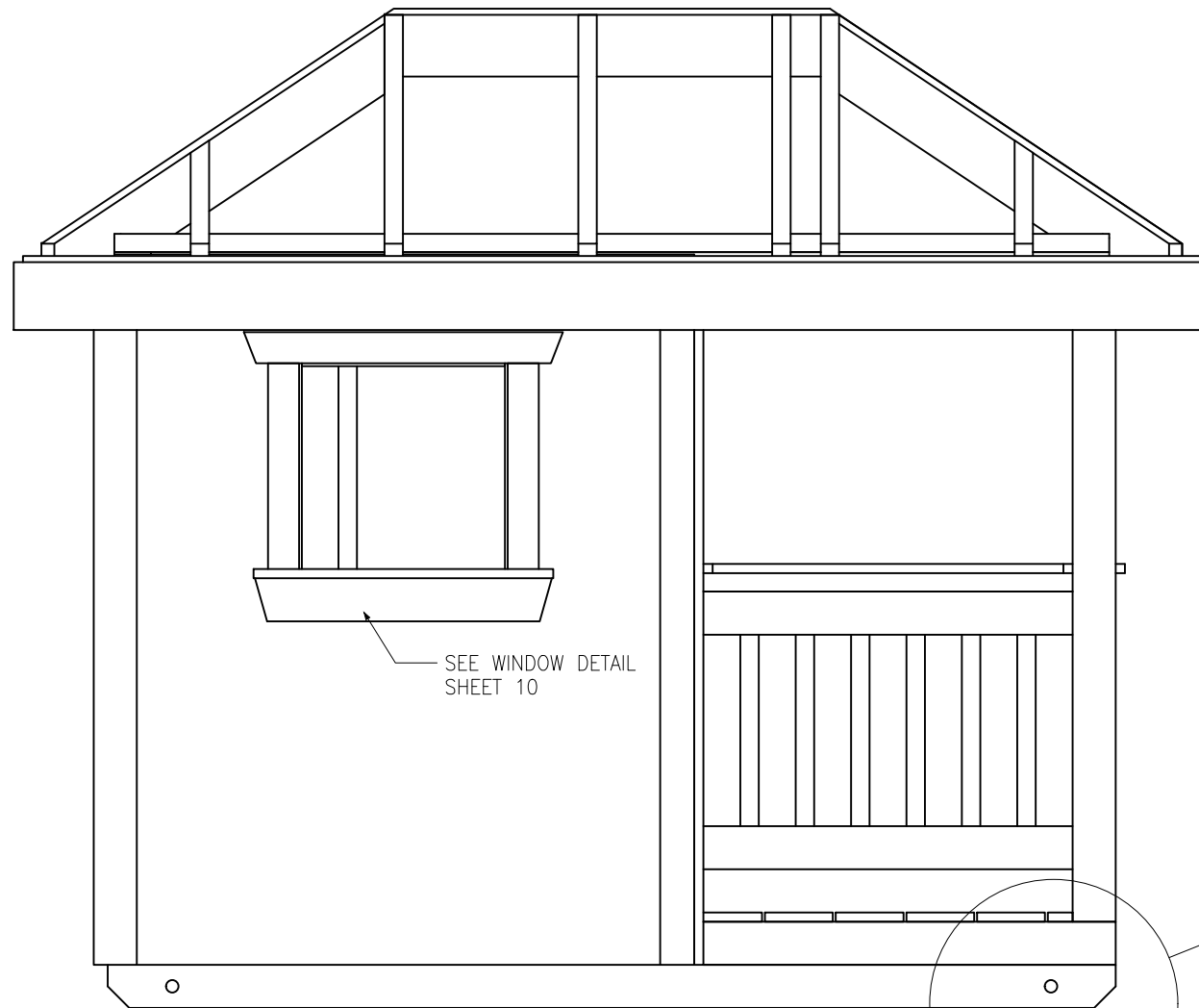
FOR EDUCATIONAL PURPOSE ONLY  
 1.) FINISHED FASCIA TO BE MITRED AT CORNERS

No.	Revision/Issue	Date

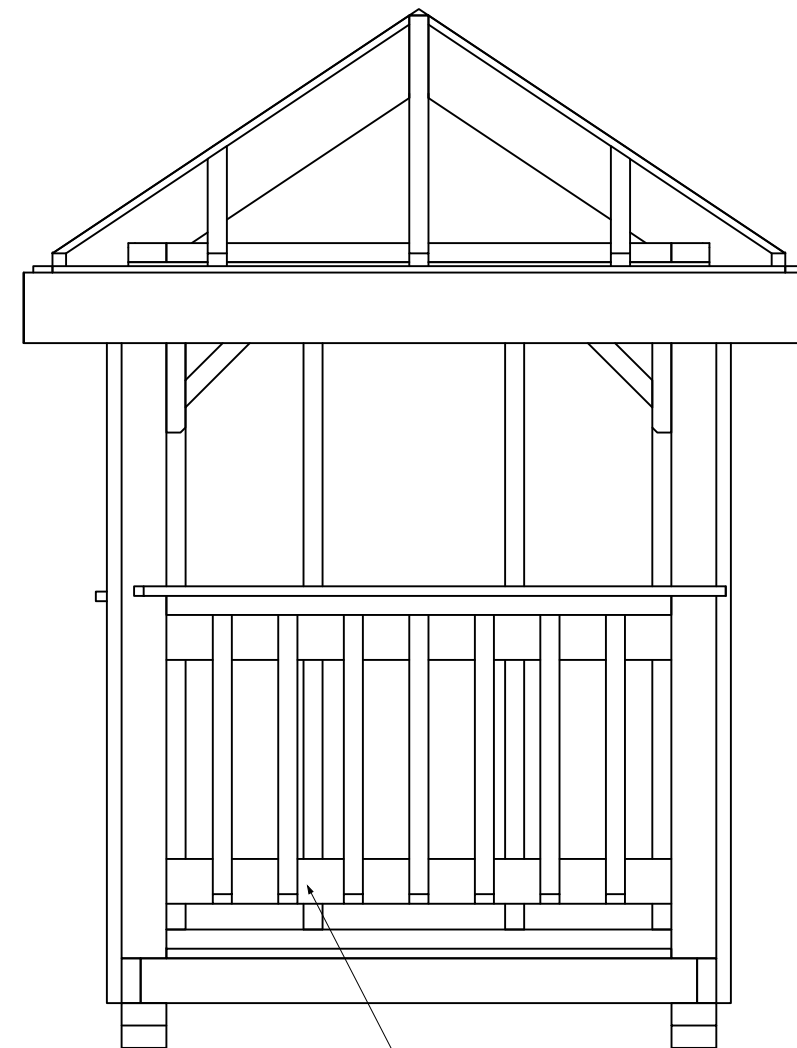


PLAYHOUSE  
2021

<b>Drawing</b> ROOF FRAMING PLAN	<b>Sheet</b> 4
<b>Date</b> MAY '21	
<b>Scale</b> 1:10	



LEFT ELEVATION



FRONT ELEVATION

**General Notes**

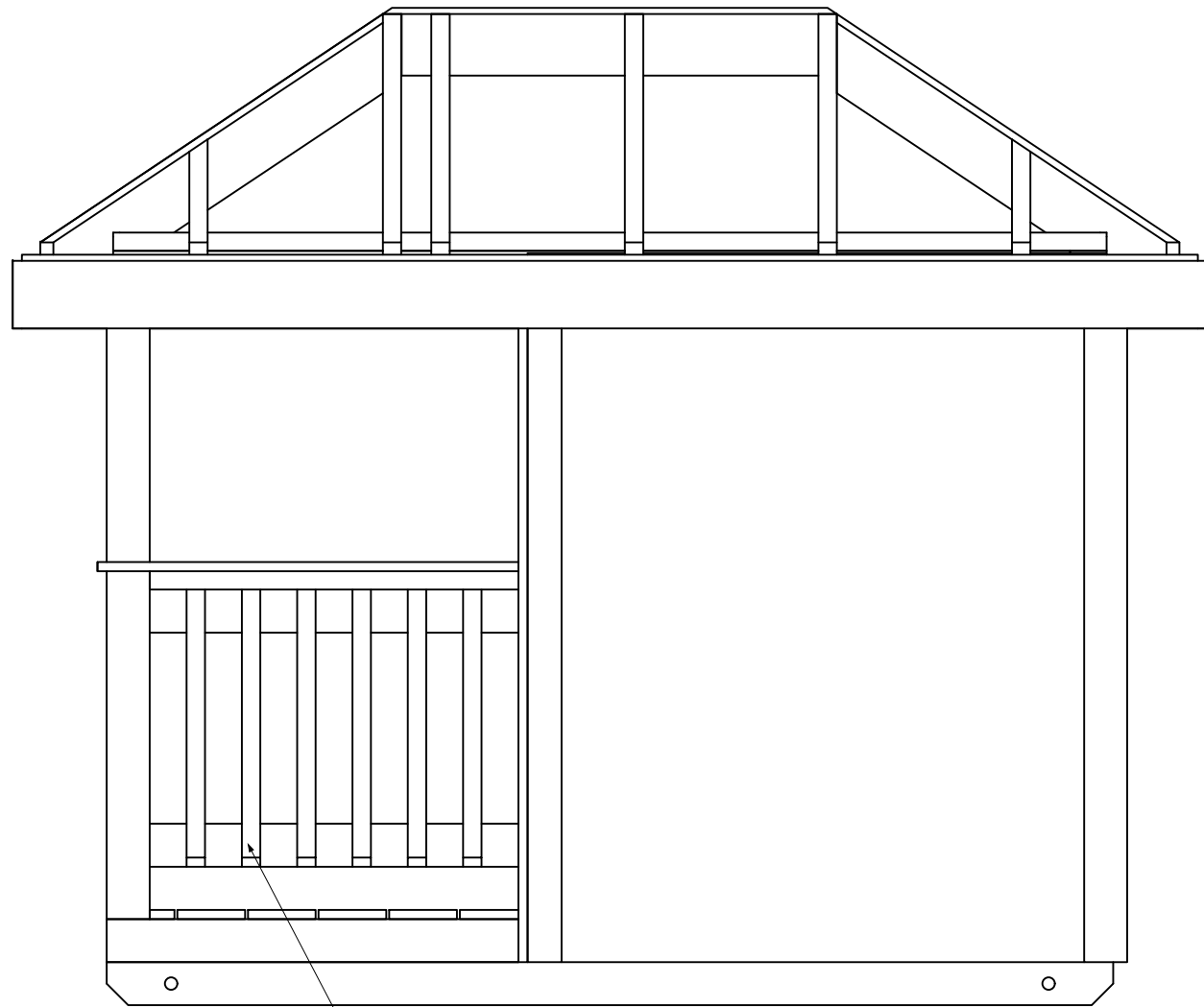
FOR EDUCATIONAL PURPOSE ONLY

No.	Revision/Issue	Date



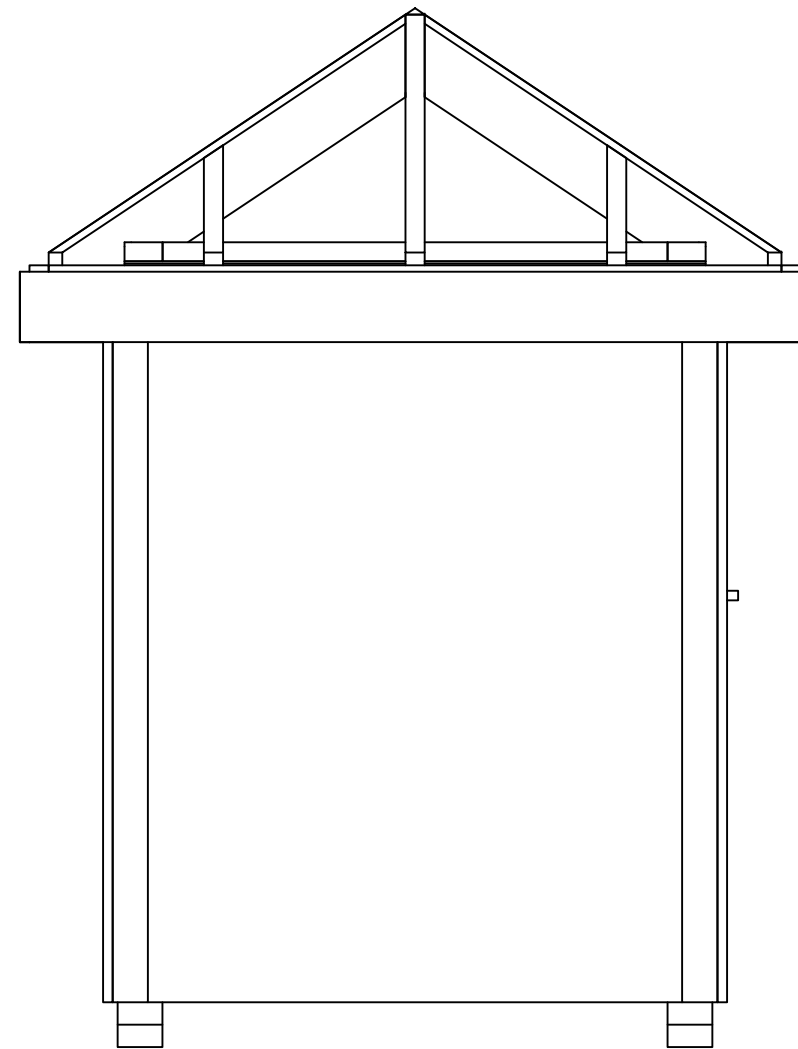
PLAYHOUSE  
2021

Drawing	ELEVATIONS	Sheet	5
Date	MAY '21		
Scale	1:15		



RAILING:  
6 BALUSTERS  
SCREWED TO RAILING  
SPACED EQUALLY

RIGHT ELEVATION



REAR ELEVATION

**General Notes**

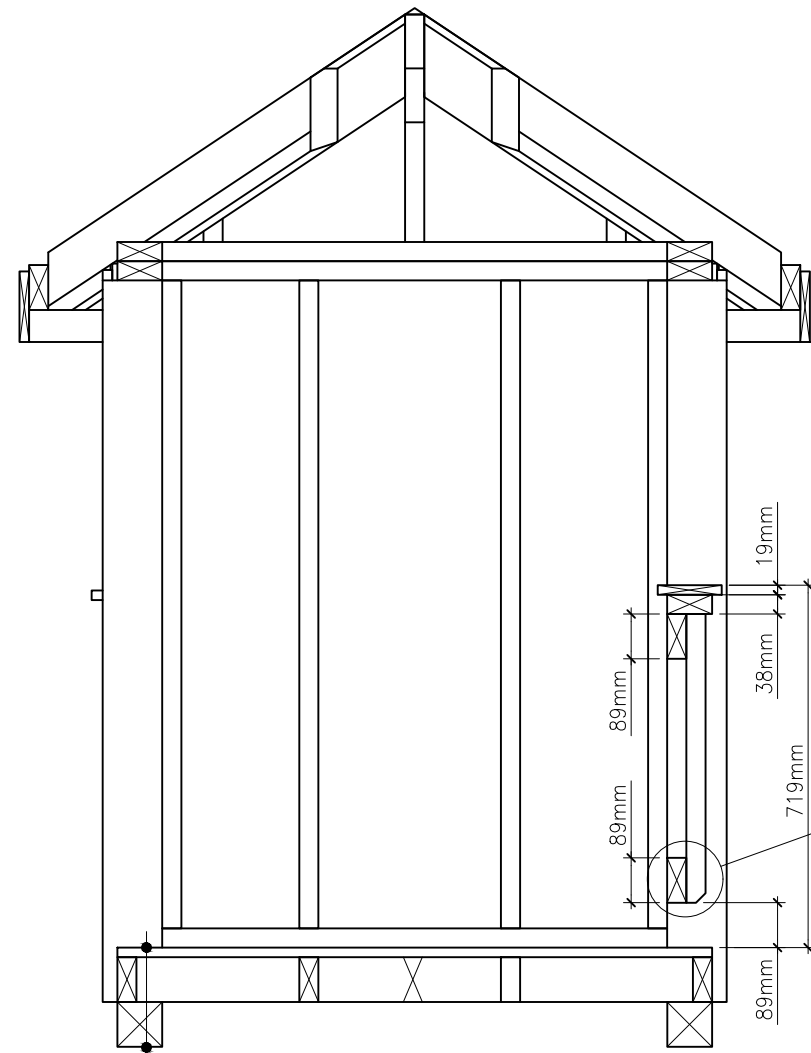
FOR EDUCATIONAL PURPOSE  
ONLY

No.	Revision/Issue	Date



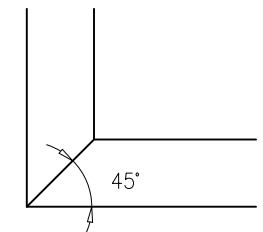
PLAYHOUSE  
2021

Drawing	ELEVATIONS	Sheet	6
Date	MAY '21		
Scale	1:15		

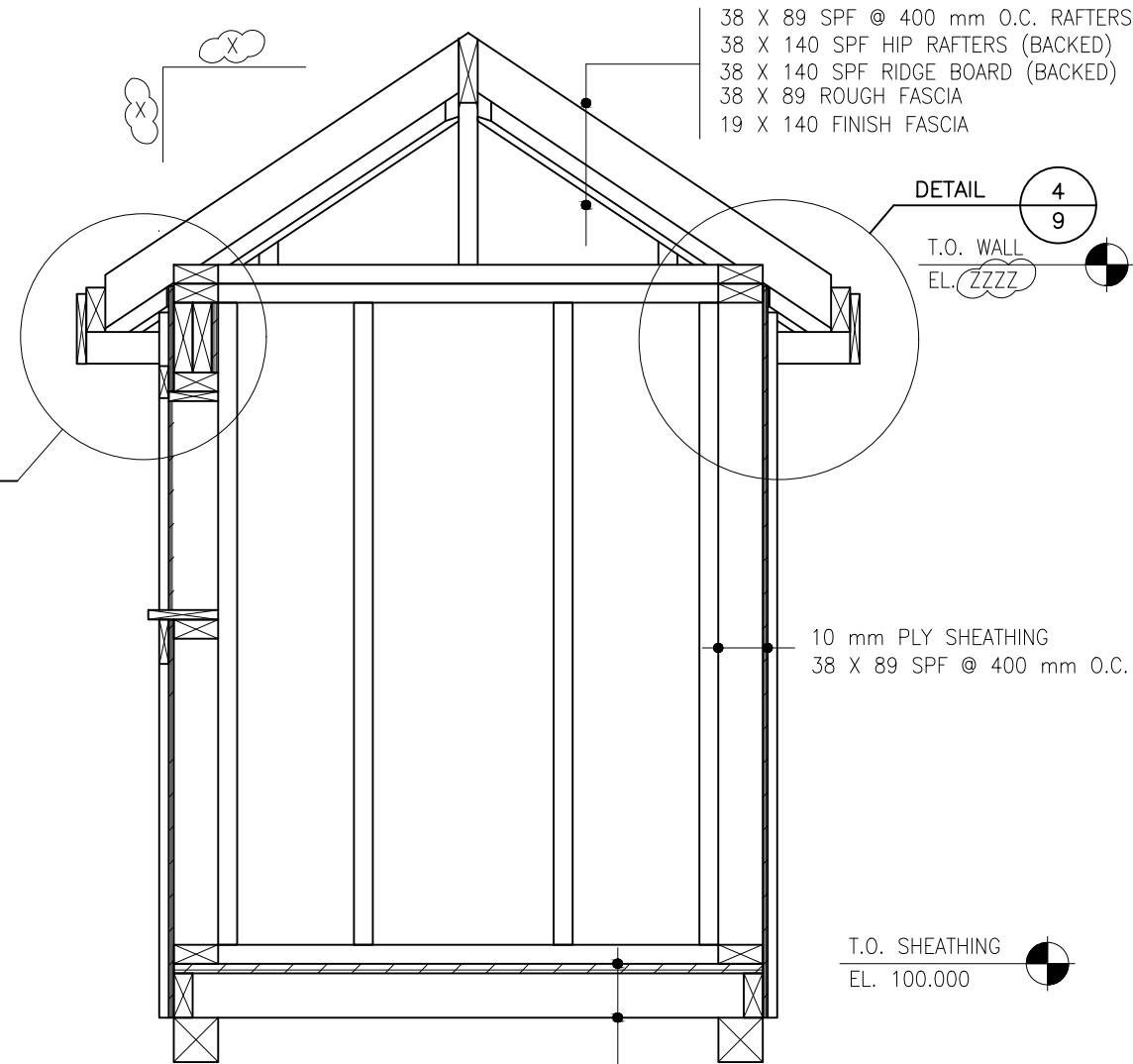


19 X 140 ACQ DECKBOARDS EQUALLY SPACED  
 38 X 89 ACQ LUMBER  
 89 X 89 ACQ SKIDS

SECTION A-A  
 SCALE 1:15



TOP PLATE DETAIL @ POSTS  
 VIEWED FROM FRONT ELEVATION  
 LEFT CORNER  
 SCALE 1:10

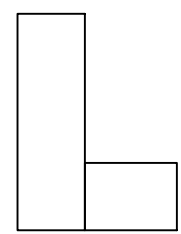


38 X 89 SPF @ 400 mm O.C. RAFTERS  
 38 X 140 SPF HIP RAFTERS (BACKED)  
 38 X 140 SPF RIDGE BOARD (BACKED)  
 38 X 89 ROUGH FASCIA  
 19 X 140 FINISH FASCIA

10 mm PLY SHEATHING  
 38 X 89 SPF @ 400 mm O.C.

19 mm PLY SHEATHING  
 38 X 89 SPF LUMBER

SECTION B-B  
 SCALE 1:15



CAP PLATE DETAIL @ POSTS  
 VIEWED FROM FRONT ELEVATION  
 LEFT CORNER  
 SCALE 1:10

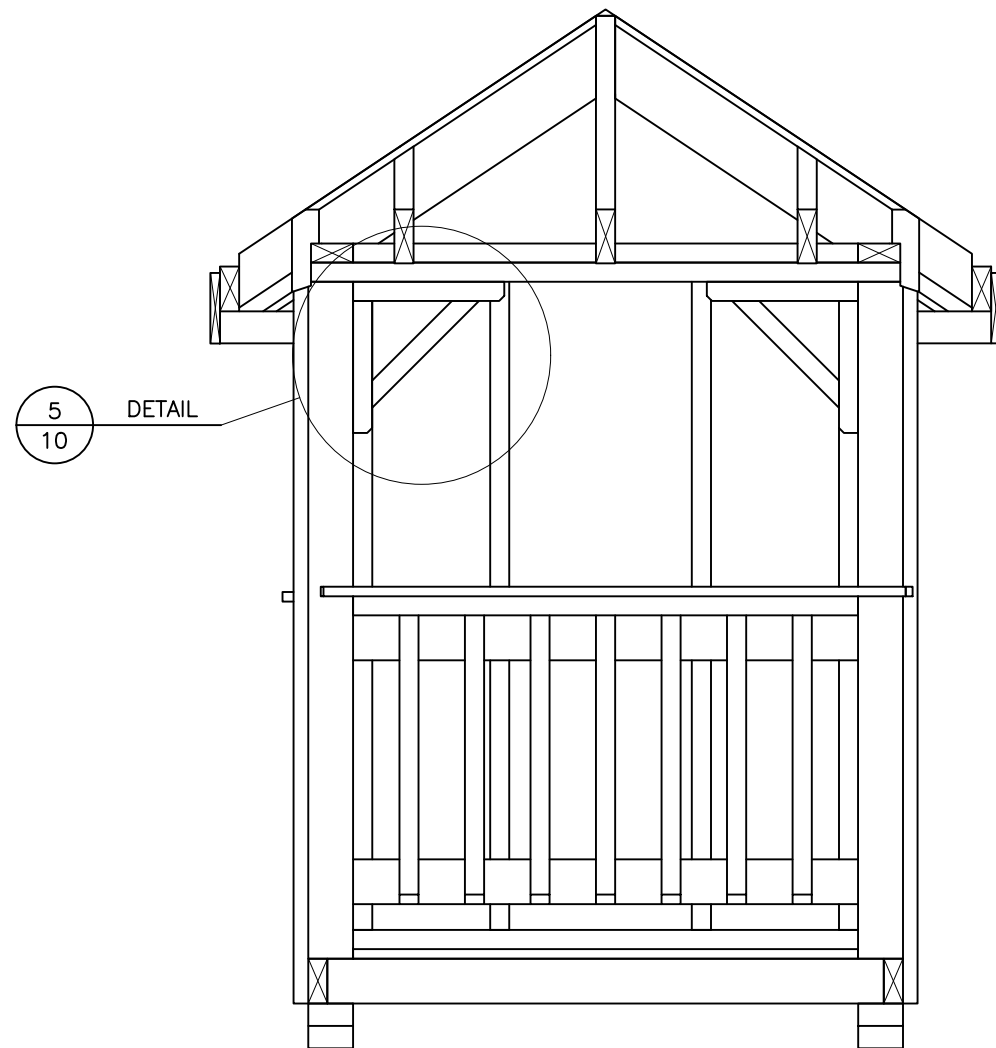
**General Notes**  
 FOR EDUCATIONAL PURPOSE ONLY

No.	Revision/Issue	Date



PLAYHOUSE  
 2021

Drawing	SECTIONS	Sheet
Date	MAY '21	7
Scale	1:15	



SECTION C-C  
 SCALE 1:15

C-C  
 2

General Notes

FOR EDUCATIONAL PURPOSE ONLY

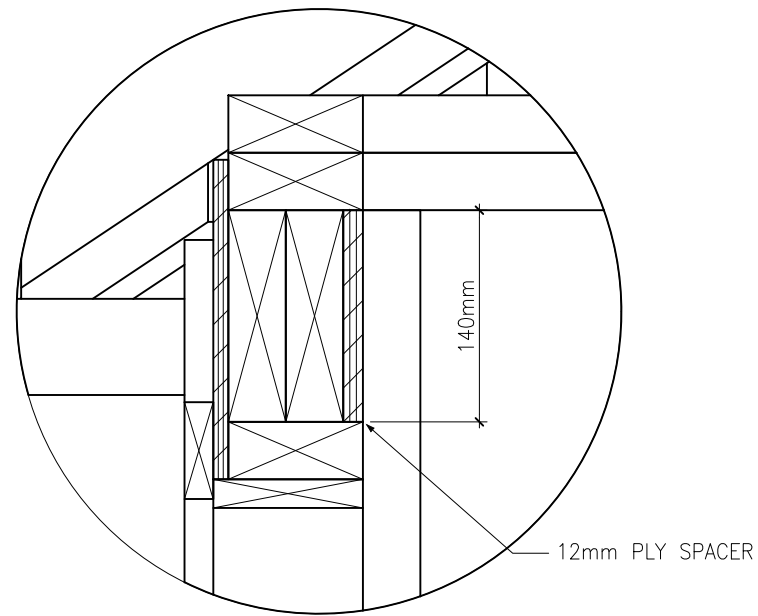
No.	Revision/Issue	Date



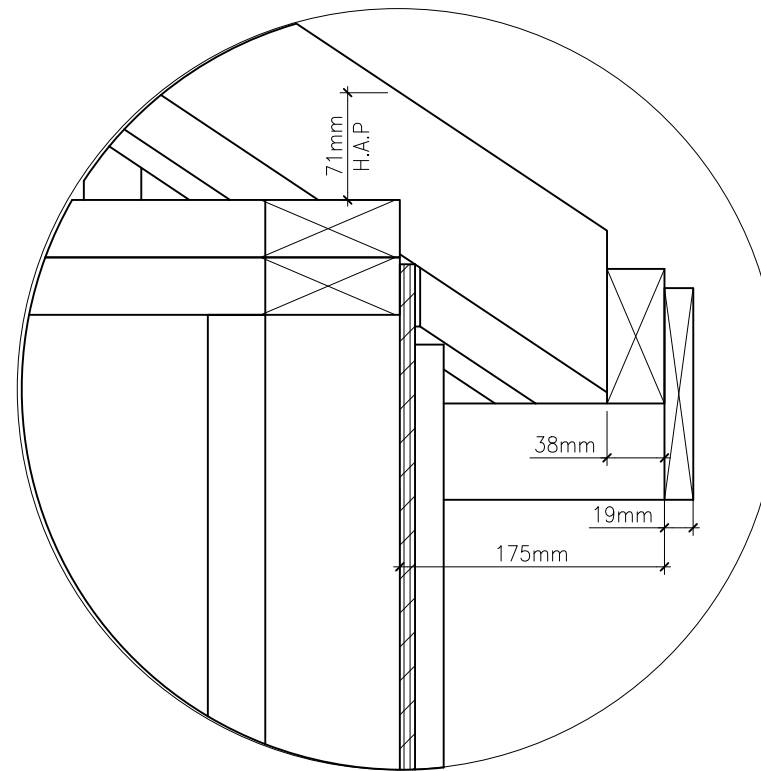
PLAYHOUSE  
 2021

Drawing	SECTIONS	Sheet	8
Date	MAY '21		
Scale	1:15		

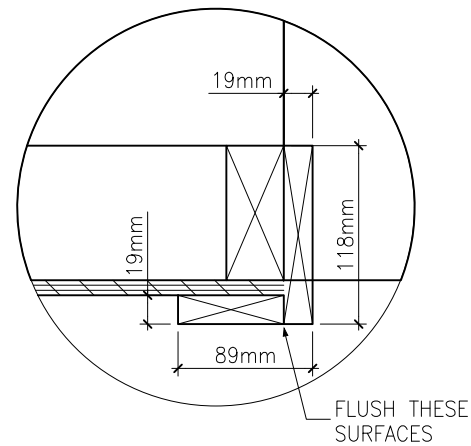




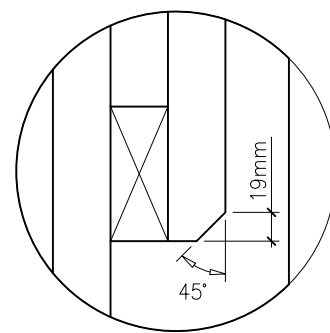
DETAIL  $\frac{7}{7}$   
 LINTEL DETAIL



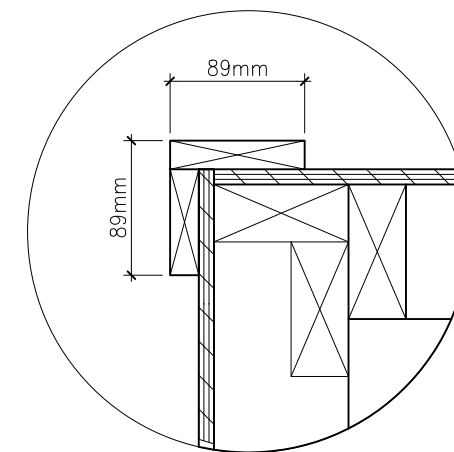
DETAIL  $\frac{4}{7}$   
 CORNICE DETAIL



DETAIL  $\frac{2}{2}$   
 INTERIOR WALL TRIM DETAIL TYPICAL



DETAIL  $\frac{11}{7}$   
 BALLUSTER CHAMFER DETAIL



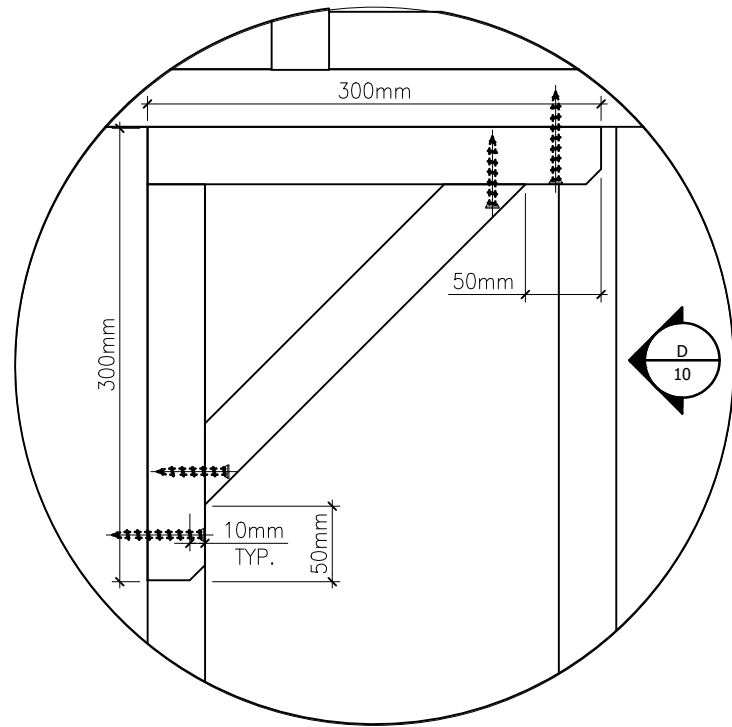
DETAIL  $\frac{1}{2}$   
 REAR WALL TRIM DETAIL TYPICAL

General Notes		
FOR EDUCATIONAL PURPOSE ONLY		
No.	Revision/Issue	Date

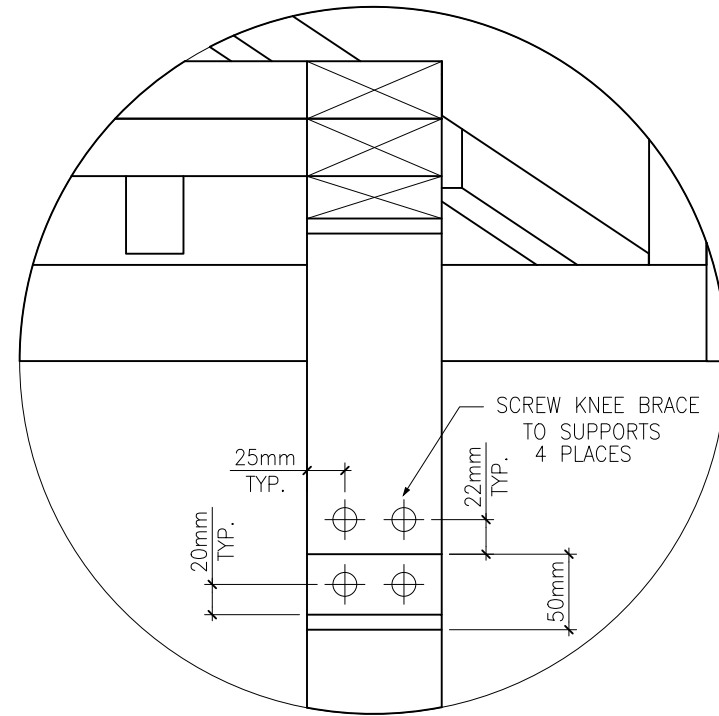


PLAYHOUSE  
 2021

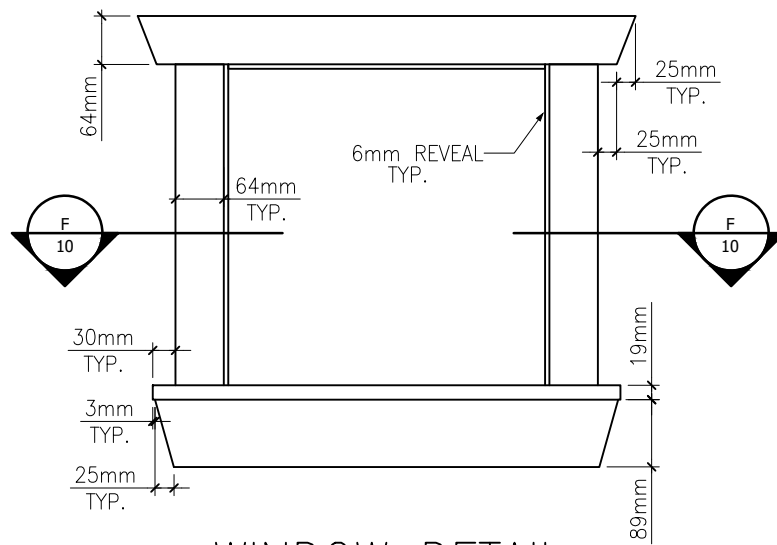
Drawing	DETAILS	Sheet
Date	May '21	9
Scale	1:5	



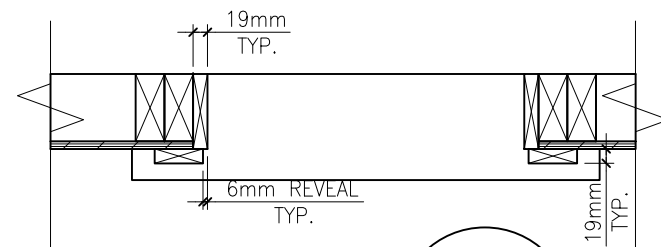
DETAIL 5  
 KNEE BRACE  
 DETAIL  
 SCALE 1:5



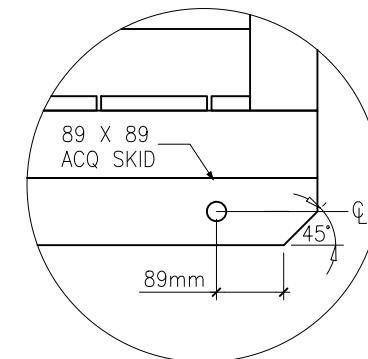
SECTION D  
 KNEE BRACE  
 SCALE 1:5



WINDOW DETAIL  
 SCALE 1:10



SECTION F-F  
 SCALE 1:10



DETAIL 6  
 SKID DETAIL  
 SCALE 1:10

General Notes		
FOR EDUCATIONAL PURPOSE ONLY		
No.	Revision/Issue	Date



PLAYHOUSE  
2021

Drawing	DETAILS	Sheet
Date	MAY '21	10
Scale	AS SHOWN	