

General Notes

FOR EDUCATIONAL PURPOSE ONLY

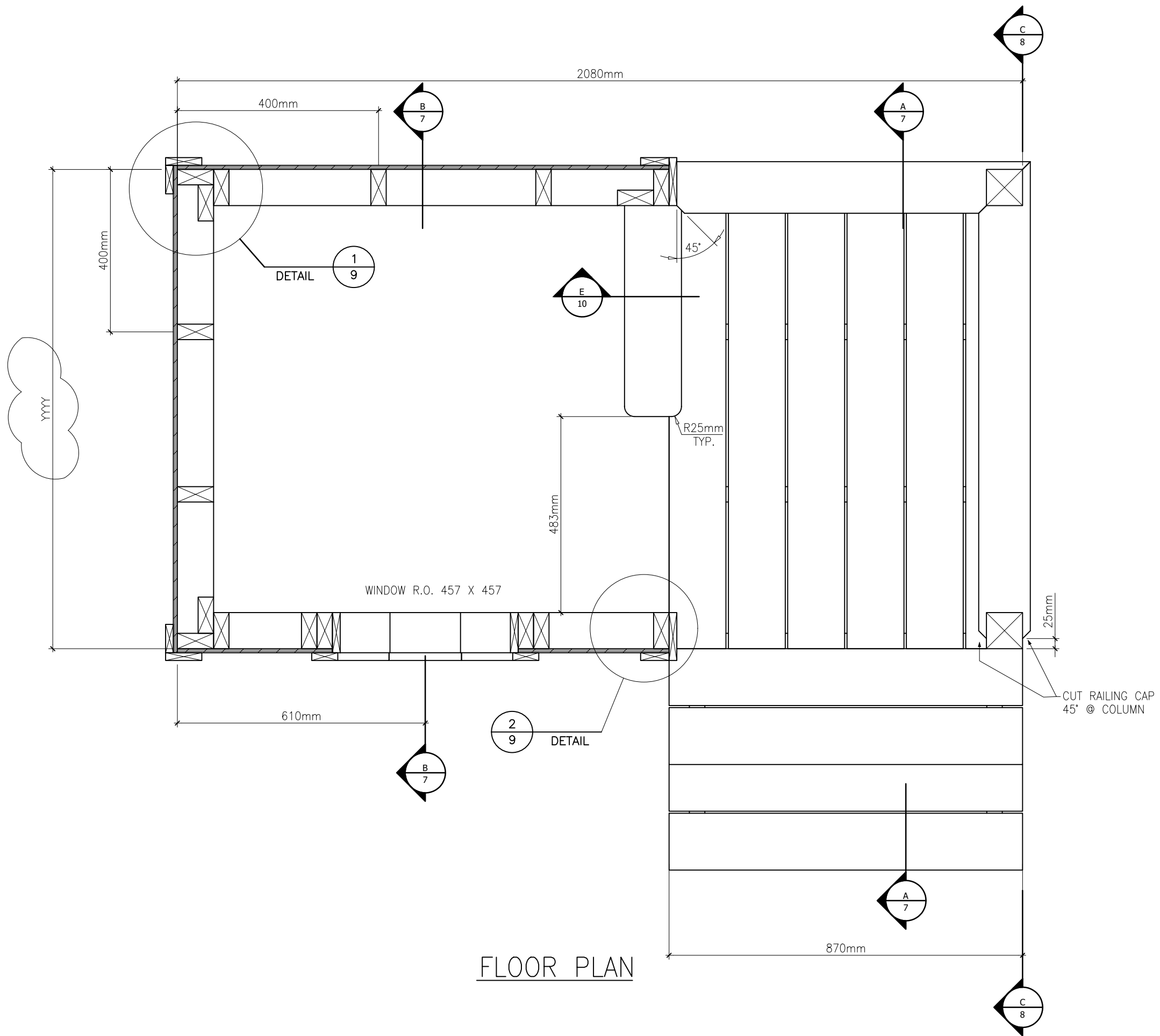
- 1) ALL FASTENING TO BE IN ACCORDANCE WITH THE NBC.
- 2) DECKING AND STAIR TREADS ATTACHED WITH SCREWS.

No.	Revision/Issue	Date



PLAYHOUSE
2022

Drawing	ISOMETRIC	Sheet	1
Date	MAY '19		
Scale	1:15		



General Notes

FOR EDUCATIONAL PURPOSE ONLY

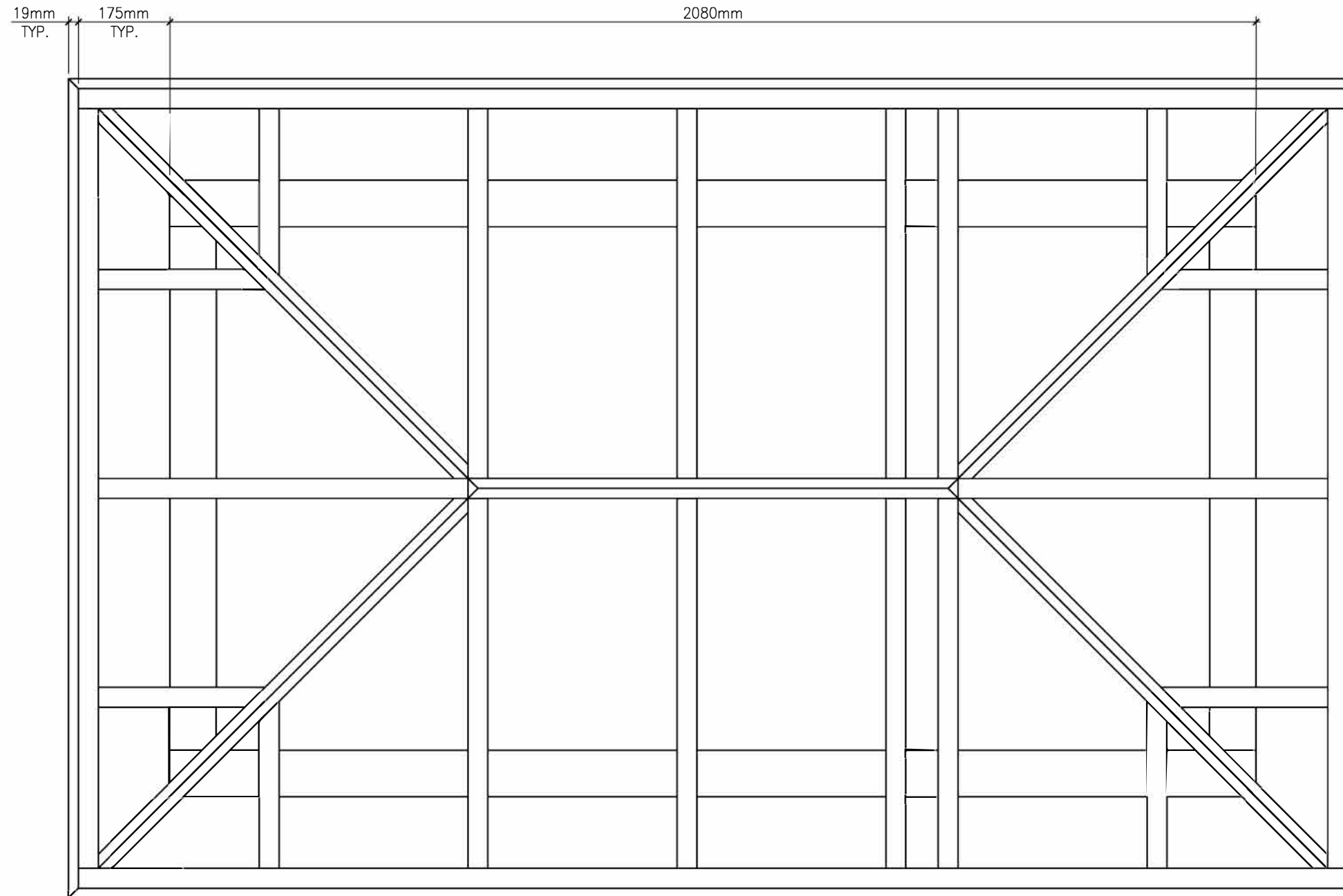
- 1) ALL FASTENING TO BE IN ACCORDANCE WITH THE NBC.
- 2) DECKING AND STAIR TREADS ATTACHED WITH SCREWS.

No.	Revision/Issue	Date



PLAYHOUSE
2022

Drawing	FLOOR PLAN	Sheet	2
Date	MAY '19		
Scale	1:10		



ROOF FRAMING PLAN

General Notes

FOR EDUCATIONAL PURPOSE ONLY

No.	Revision/Issue	Date

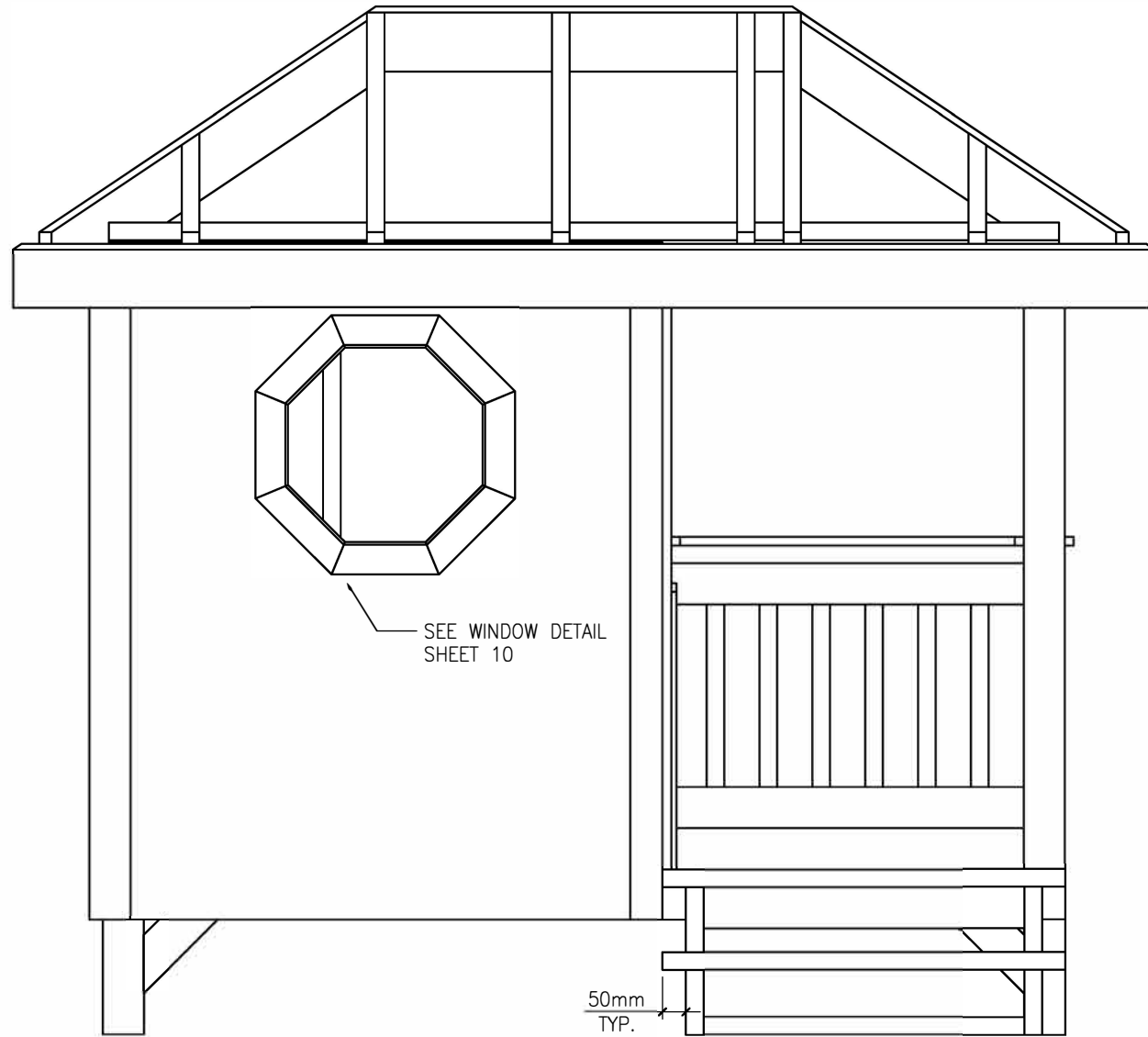


PLAYHOUSE
2022

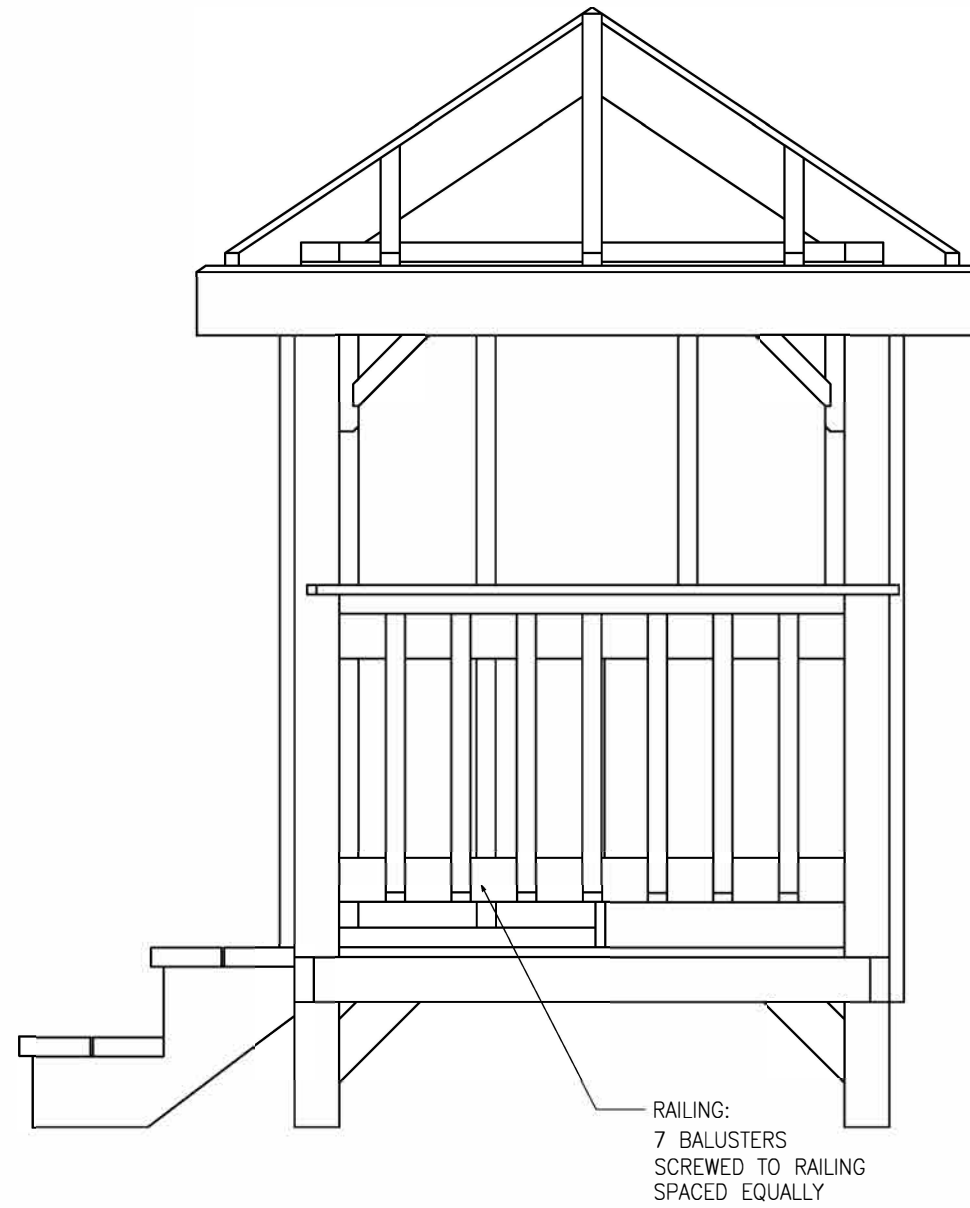
Drawing ROOF FRAMING PLAN	Sheet 4
Date MAY '19	
Scale 1:10	

General Notes

FOR EDUCATIONAL PURPOSE
ONLY



LEFT ELEVATION



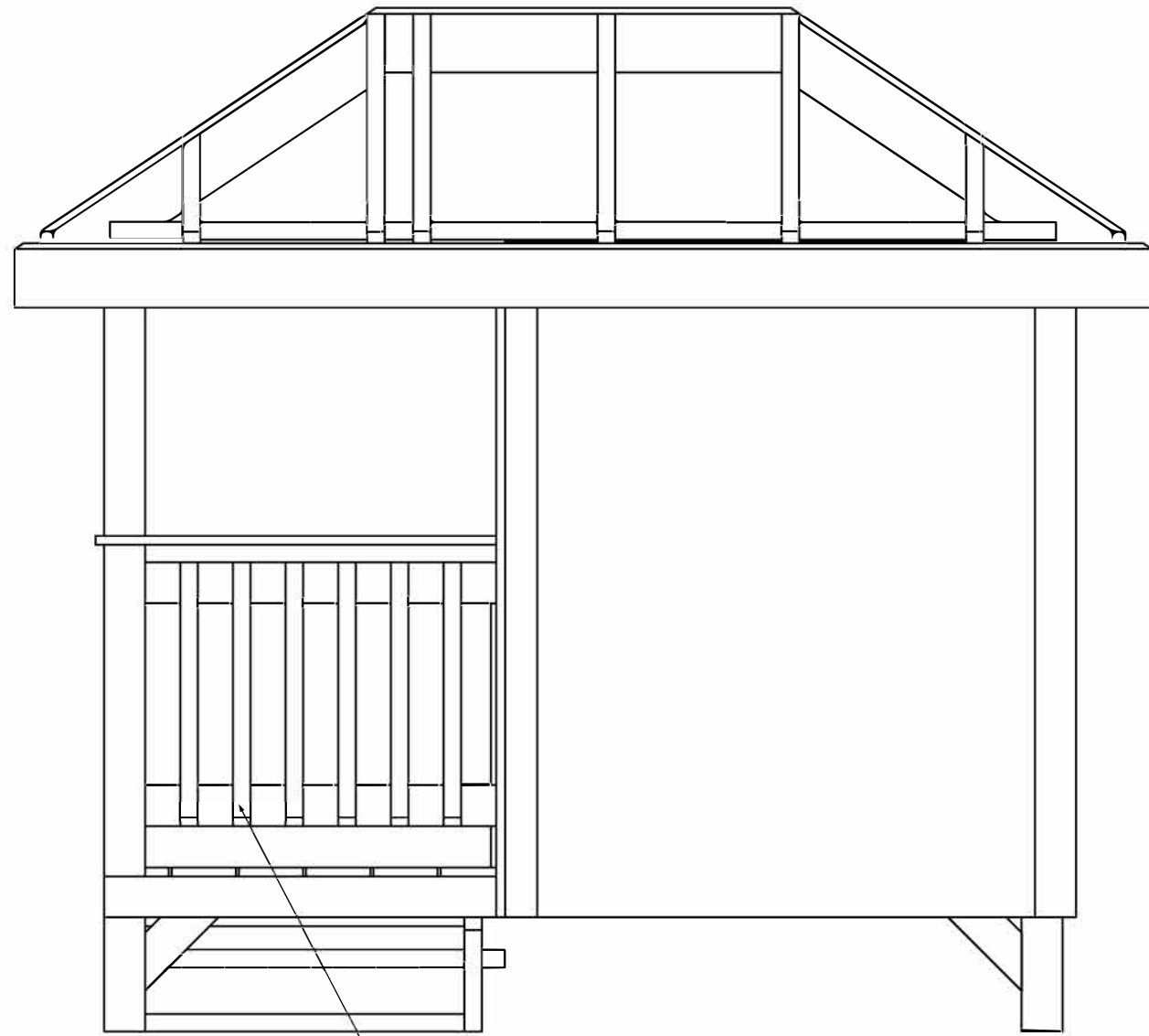
FRONT ELEVATION

No.	Revision/Issue	Date



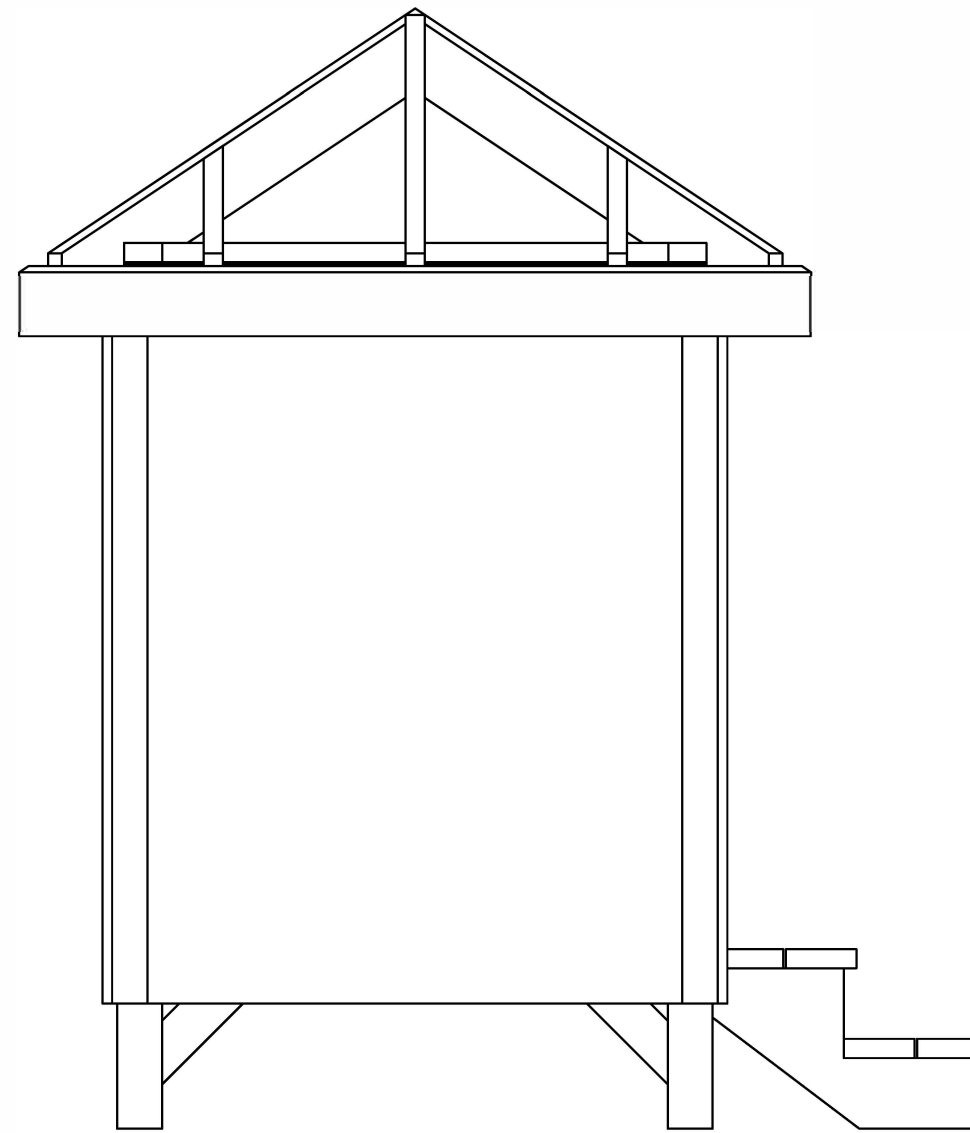
PLAYHOUSE
2022

Drawing ELEVATIONS	Sheet 5
Date MAY '19	
Scale 1:15	



RAILING:
6 BALUSTERS
SCREWED TO RAILING
SPACED EQUALLY

RIGHT ELEVATION



REAR ELEVATION

General Notes

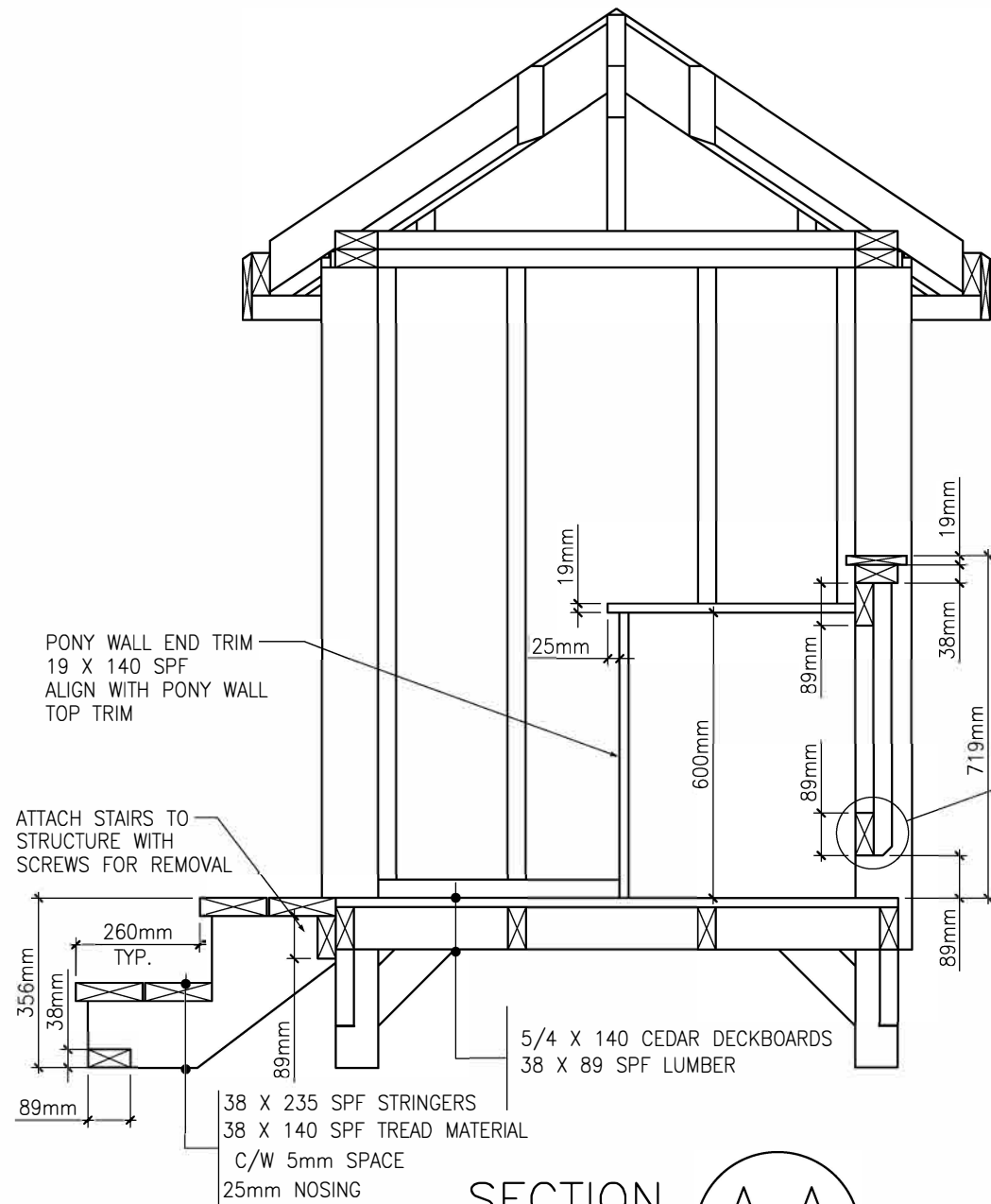
FOR EDUCATIONAL PURPOSE
ONLY

No.	Revision/Issue	Date

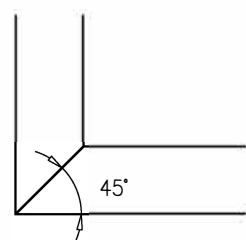


PLAYHOUSE
2022

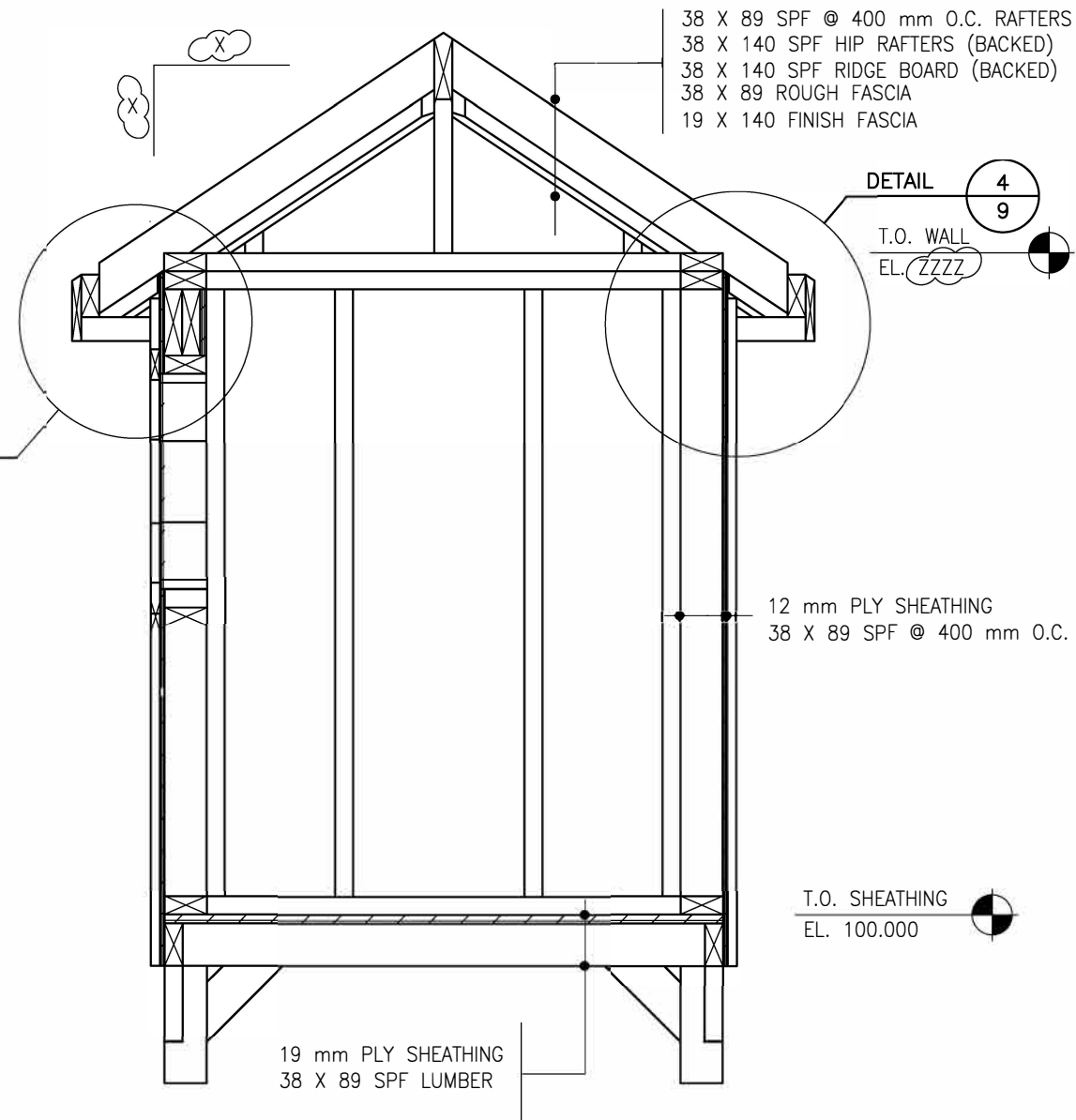
Drawing ELEVATIONS	Sheet 6
Date MAY '19	
Scale 1:15	



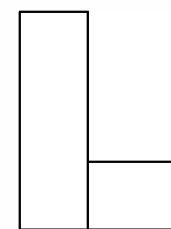
SECTION A-A
SCALE 1:15



TOP PLATE DETAIL @ POSTS
VIEWED FROM FRONT ELEVATION
LEFT CORNER
SCALE 1:10



SECTION B-B
SCALE 1:15



CAP PLATE DETAIL @ POSTS
VIEWED FROM FRONT ELEVATION
LEFT CORNER
SCALE 1:10

General Notes

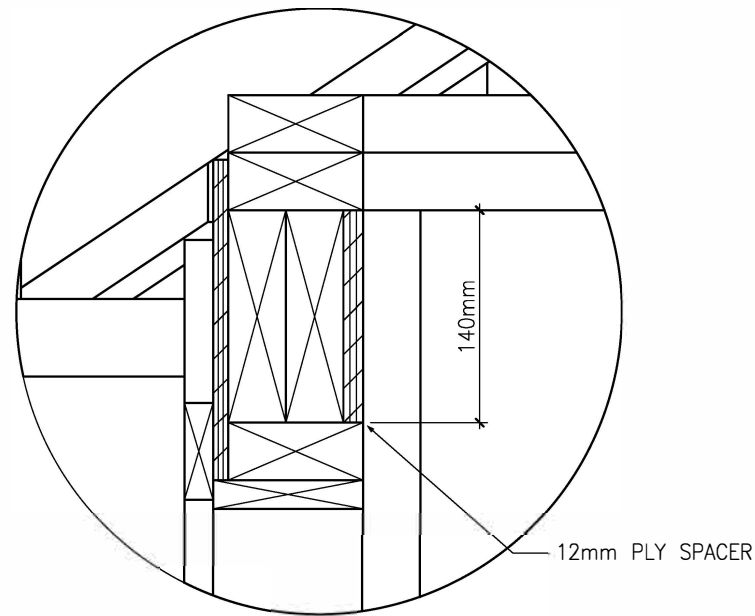
FOR EDUCATIONAL PURPOSE ONLY

No.	Revision/Issue	Date

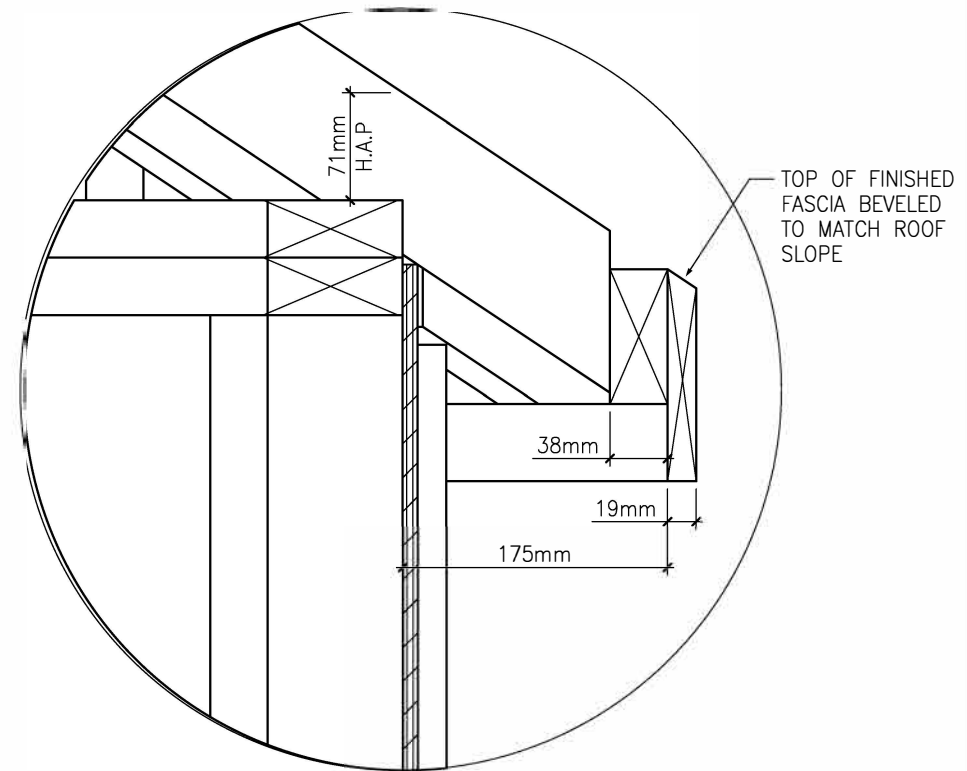


PLAYHOUSE
2022

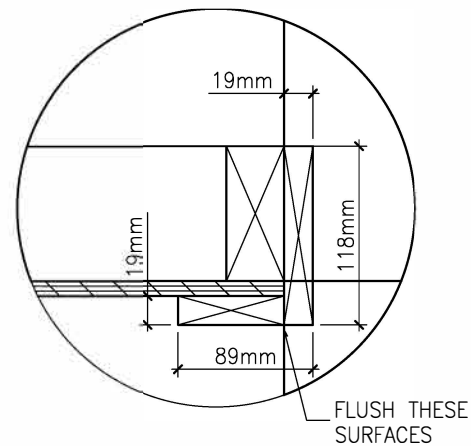
Drawing	SECTIONS	Sheet
Date	MAY '19	7
Scale	1:15	



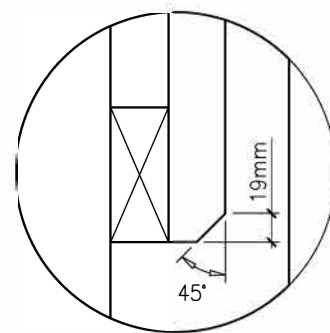
DETAIL 3
 LINTEL DETAIL 7



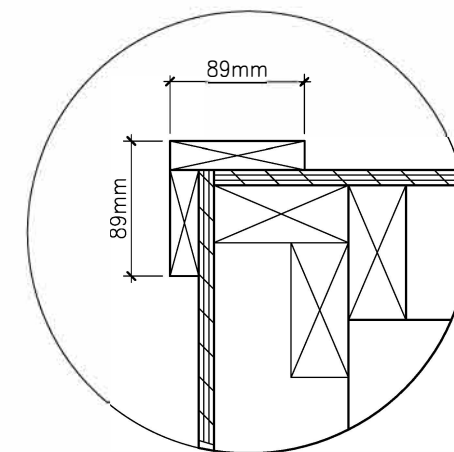
DETAIL 4
 CORNICE DETAIL 7



DETAIL 2
 INTERIOR WALL TRIM DETAIL TYPICAL 2



DETAIL 11
 BALLUSTER CHAMFER DETAIL 7



DETAIL 1
 REAR WALL TRIM DETAIL TYPICAL 2

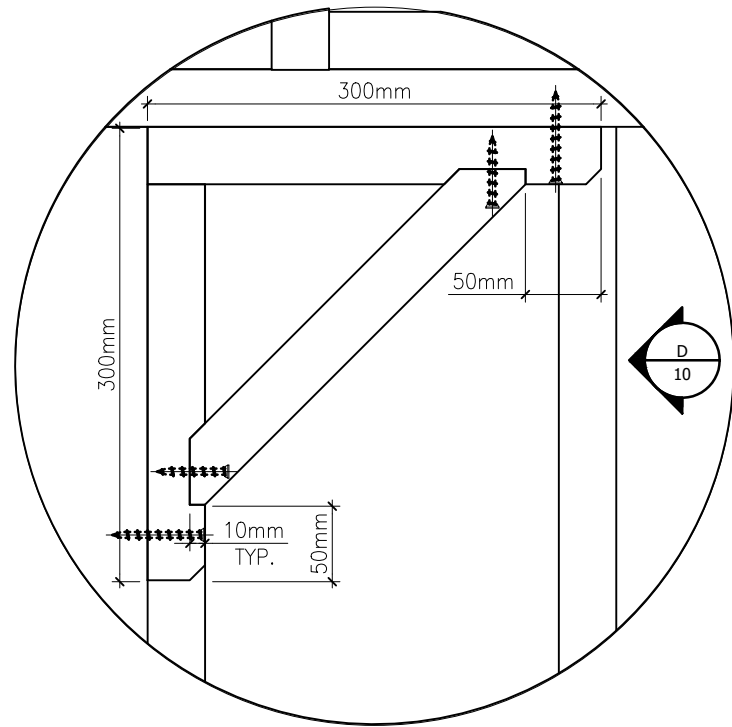
General Notes
 FOR EDUCATIONAL PURPOSE ONLY

No.	Revision/Issue	Date

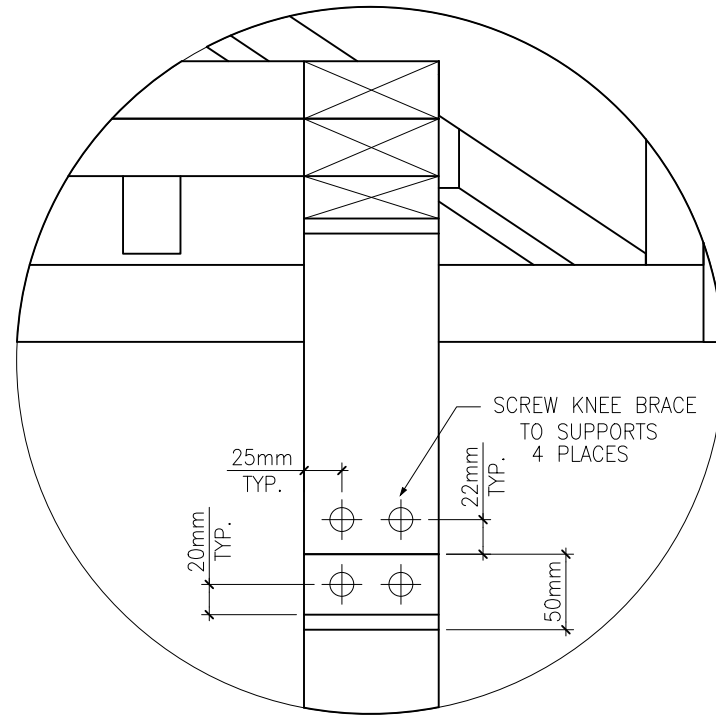


PLAYHOUSE
2022

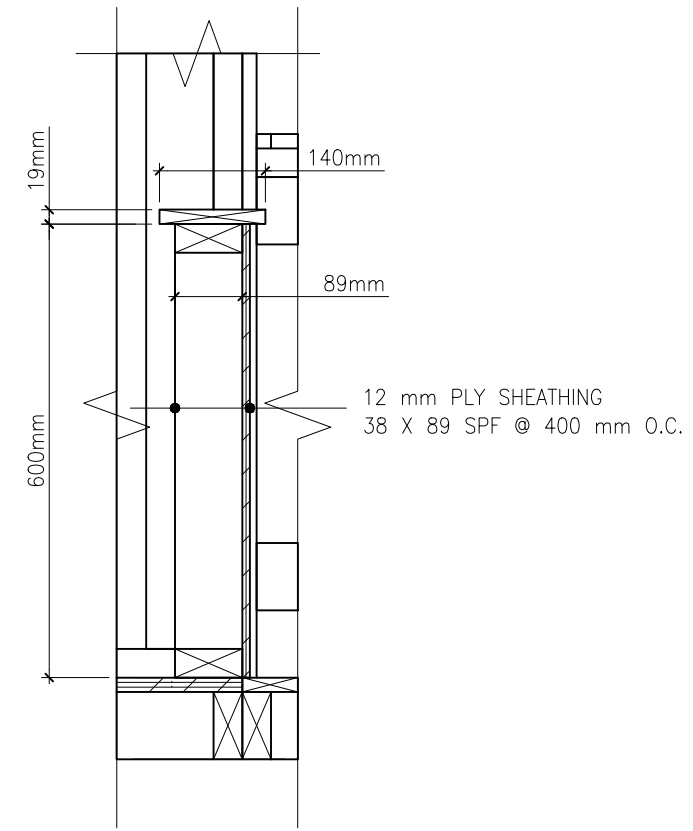
Drawing	DETAILS	Sheet
Date	MAY '19	9
Scale	1:5	



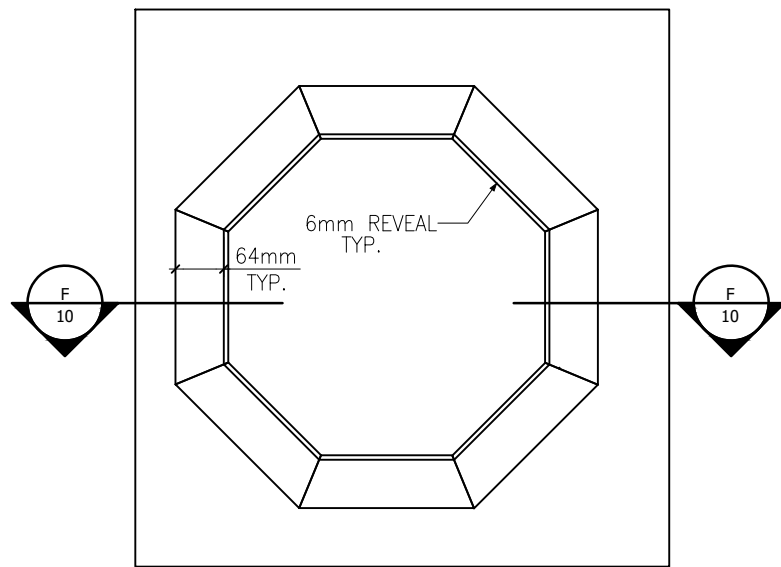
DETAIL 5
KNEE BRACE
DETAIL
SCALE 1:5



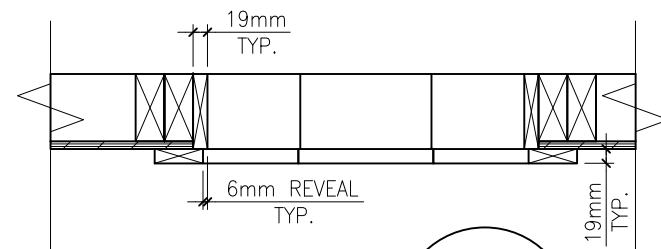
SECTION D
KNEE BRACE
SCALE 1:5



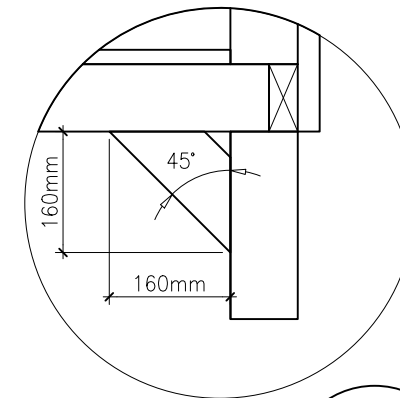
SECTION E
PONY WALL
SCALE 1:10



WINDOW DETAIL
SCALE 1:10



SECTION F-F
SCALE 1:10



DETAIL 6
TYPICAL BRACE
SCALE 1:10

General Notes		
FOR EDUCATIONAL PURPOSE ONLY		
No.	Revision/Issue	Date



PLAYHOUSE
2022

Drawing	DETAILS	Sheet
Date	MAY '19	10
Scale	AS SHOWN	