


CORNER TABLE
 TABLE OF CONTENTS:
 PAGE 1 ISOMETRIC
 PAGE 2 EXPLODED
 PAGE 3 ORTHOGRAPHIC
 PAGE 4 DETAILS

General Notes

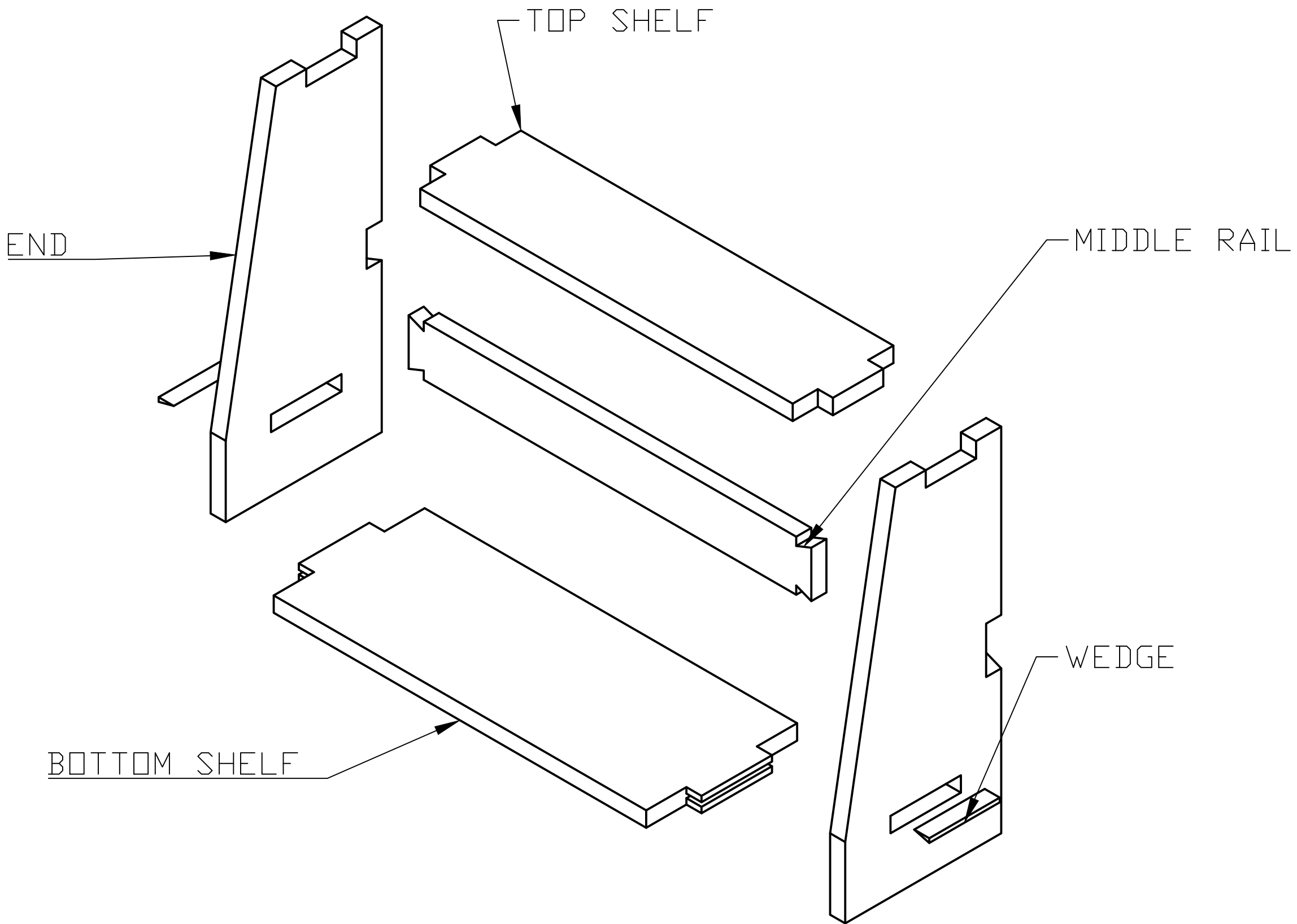
1.  REFERS TO THE REFERENCE POINT ON THE EVALUATION SHEET

No.	Revision/Issue	Date



Project Name
SHELF

Drawing ISOMETRIC	Sheet 1
Date APRIL 2021	of 4
Scale 1:3	



General Notes

1. ENDS 16 MM THICK CHERRY
2. TOP/BOTTOM SHELF 16 MM CHERRY
3. MIDDLE RAIL 16 MM CHERRY
4. WEDGES CHERRY

No.	Revision/Issue	Date



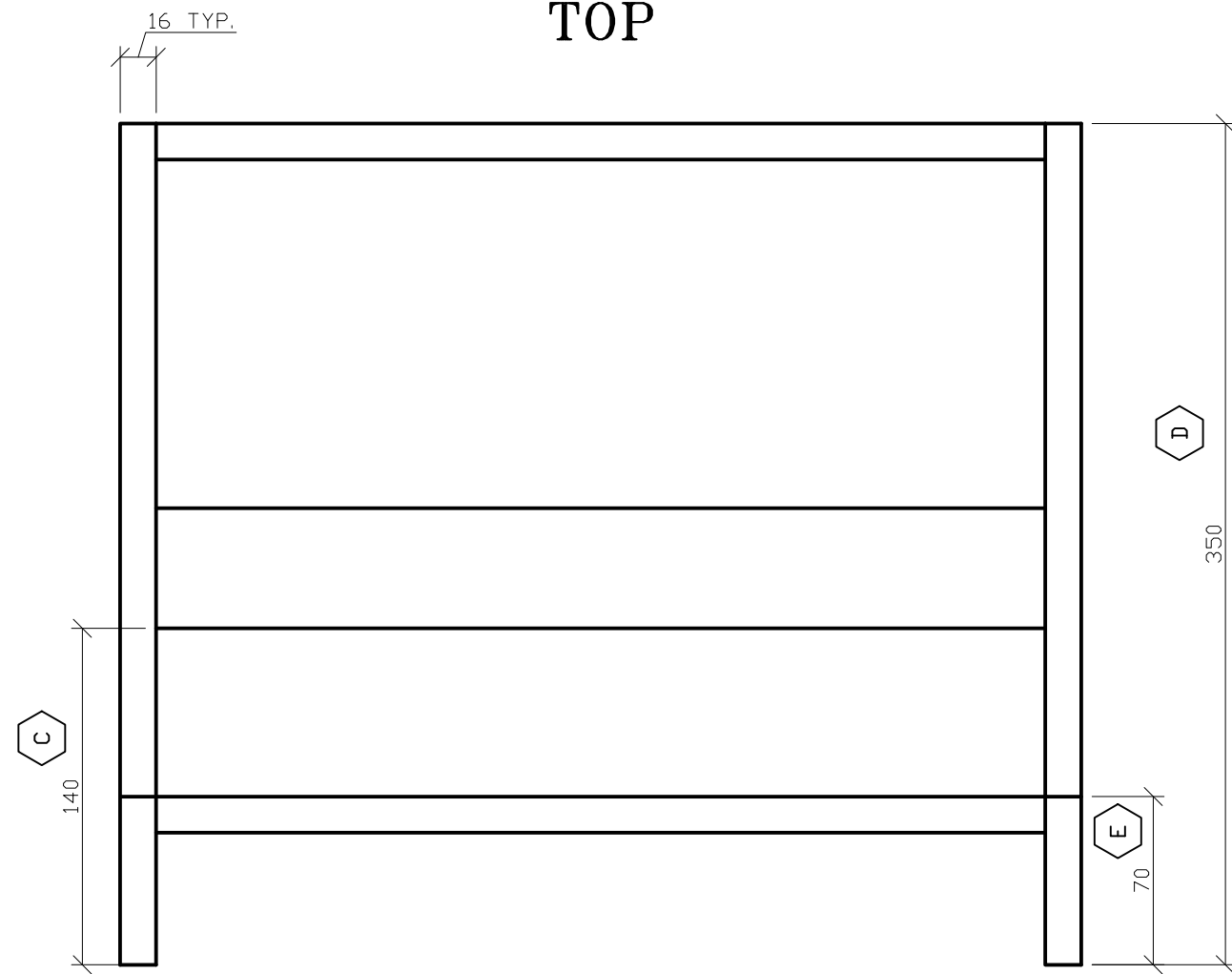
Project Name

SHELF

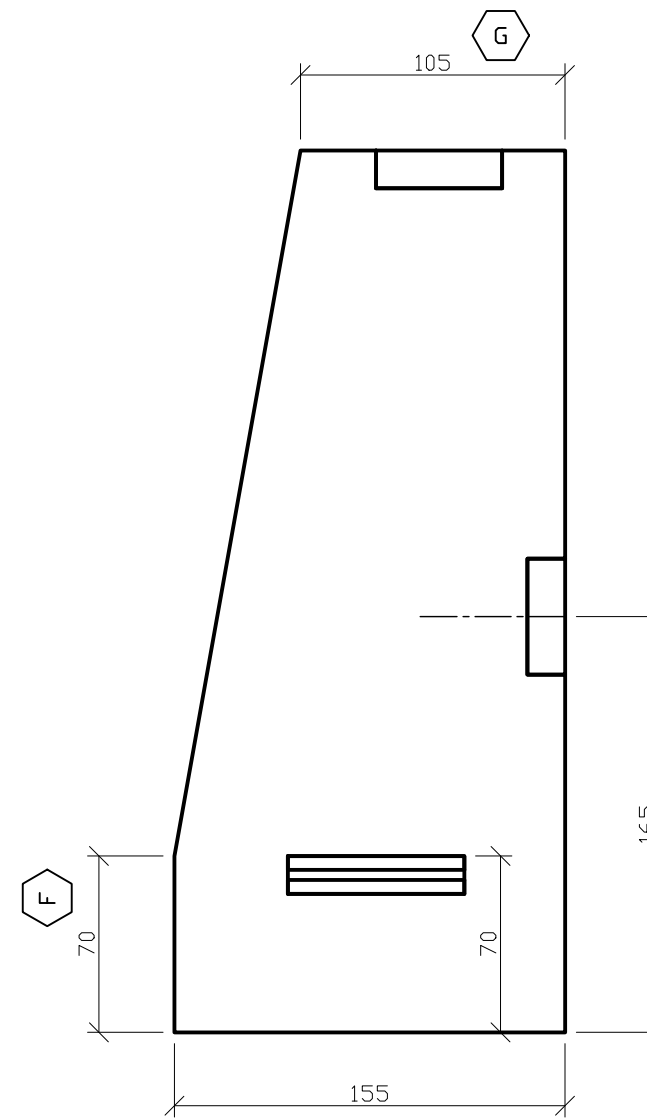
Drawing EXPLODED	2 of 4
Date APRIL 2021	
Scale 1:3	



TOP



FRONT



RIGHT SIDE

General Notes

1. NOTES

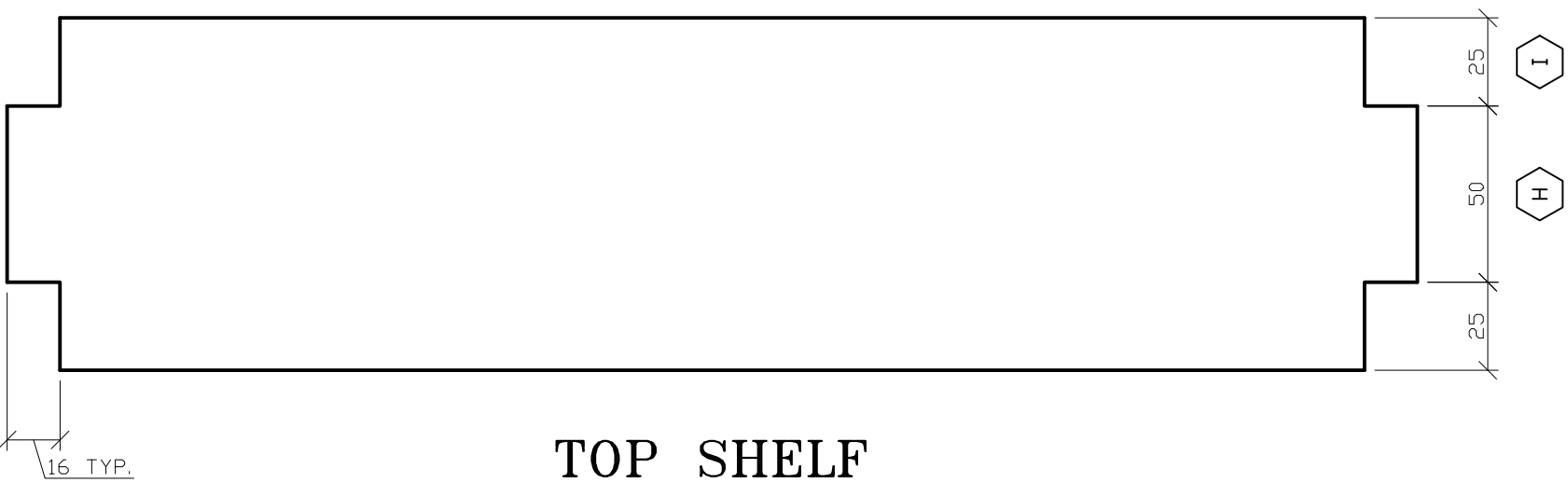
REFERS TO THE REFERENCE POINT ON THE EVALUATION SHEET

No.	Revision/Issue	Date

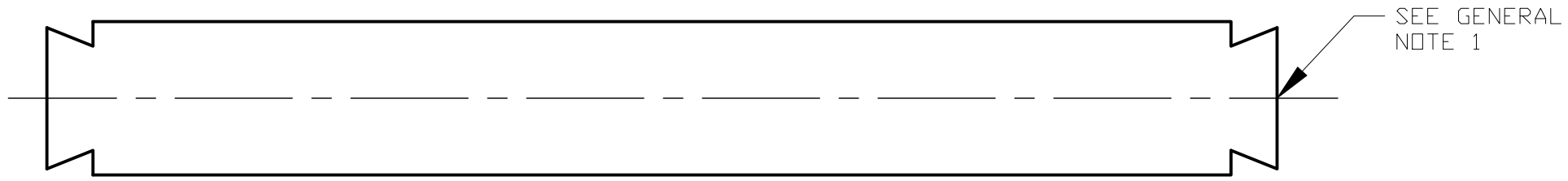
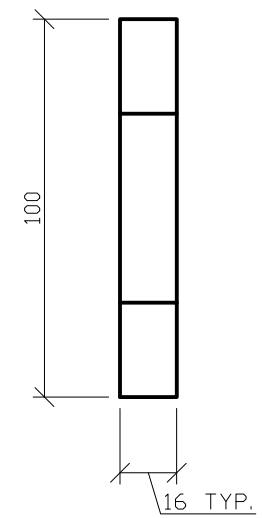


Project Name
Shelf

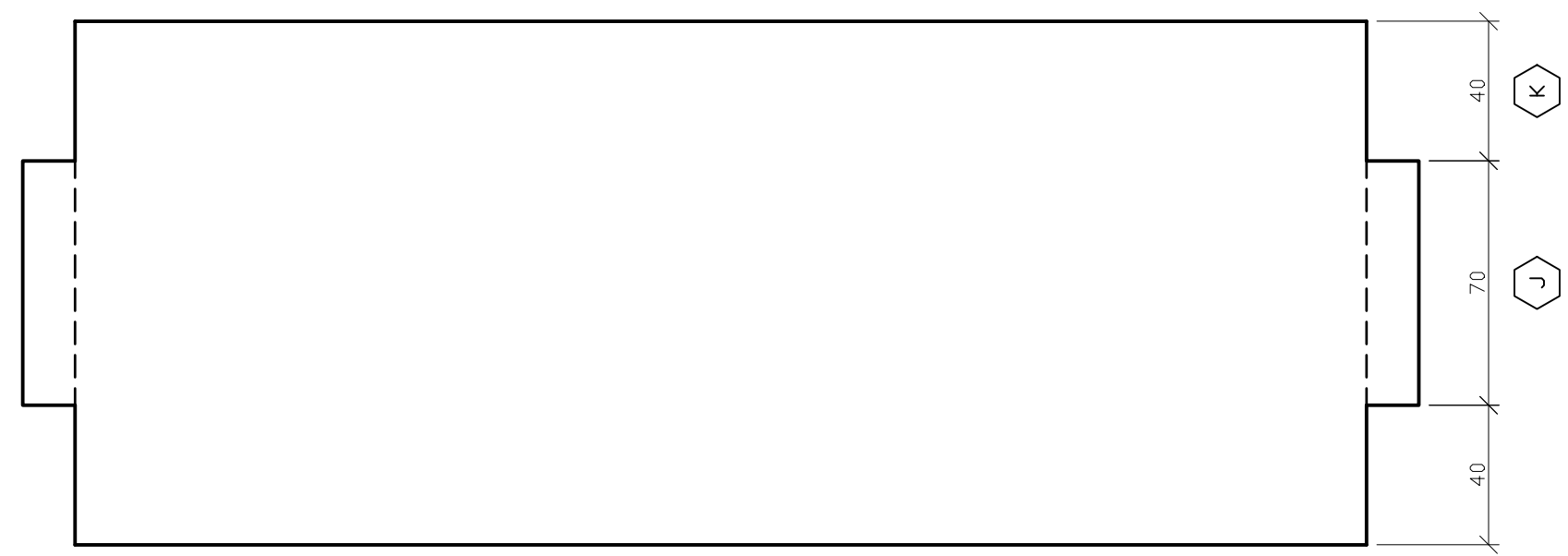
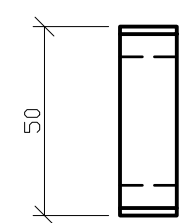
Drawing ORTHOGRAPHIC	Sheet 3
Date APRIL 2021	of 4
Scale 1:3	



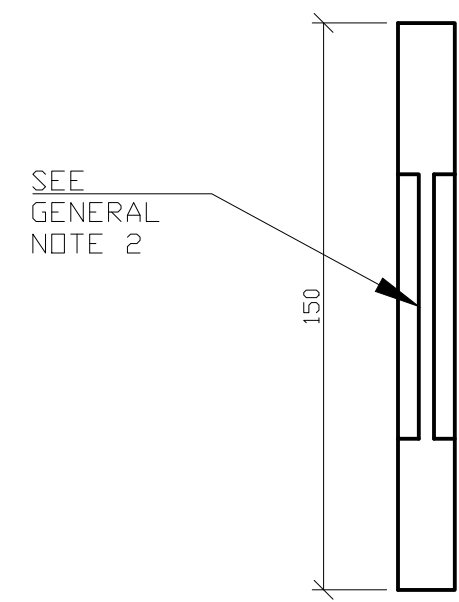
TOP SHELF



MIDDLE RAIL



BOTTOM SHELF



END VIEW

General Notes

1. THE DOVETAIL LAYOUT SHOULD BE CONSISTENT ON BOTH ENDS AND CENTERED ON THE RAIL. THE DEGREE AND OVERALL SIZE OF THE DOVETAIL IS AT THE DISCRETION OF THE STUDENT.
2. A SAW KERF IS NEEDED IN THE ENDS OF THE BOTTOM SHELF TO ACCEPT THE WEDGES MADE TO TIGHTEN THE JOINT.

REFERS TO THE REFERENCE POINT ON THE EVALUATION SHEET

No.	Revision/Issue	Date



Project Name
SHELF

Drawing	DETAILS	Sheet	4 of 4
Date	APRIL 2021		
Scale	1:2		