

ORTHO VIEWS SCALE 1 : 2

NOTE:
DRAWINGS FOR TRAINING PURPOSES ONLY
COMPETITION PROJECT MAY HAVE UP TO 30% CHANGE



NOTES:

- CASE PARTS:
- 18 AND 6 MM BALTIC BIRCH
- CASE JOINERY:
- MITRED CORNERS WITH DOWELS
- BOTTOM IN 6 X 6 GROOVE
- LID:
- LIFT OUT LID WITH 2 X 2 CHAMFER AND FINGER PULL
- SURFACE PREPARATION:
- ALL SURFACES SHOULD BE SANDED TO 150 GRIT WITH NO VISIBLE PENCILMARKS OR CROSS-SANDING
- EDGES SHOULD BE SLIGHTLY BROKEN (+/- 0.5 MM)

PROJECT:

SKILLS-IN-A-BOX

LEVEL:

REGIONAL
COMPETITION

DRAWING DESCRIPTION

ORTHOGRAPHIC
VIEWS

DATE:

JAN 18, 2021

SCALE:

1 : 2

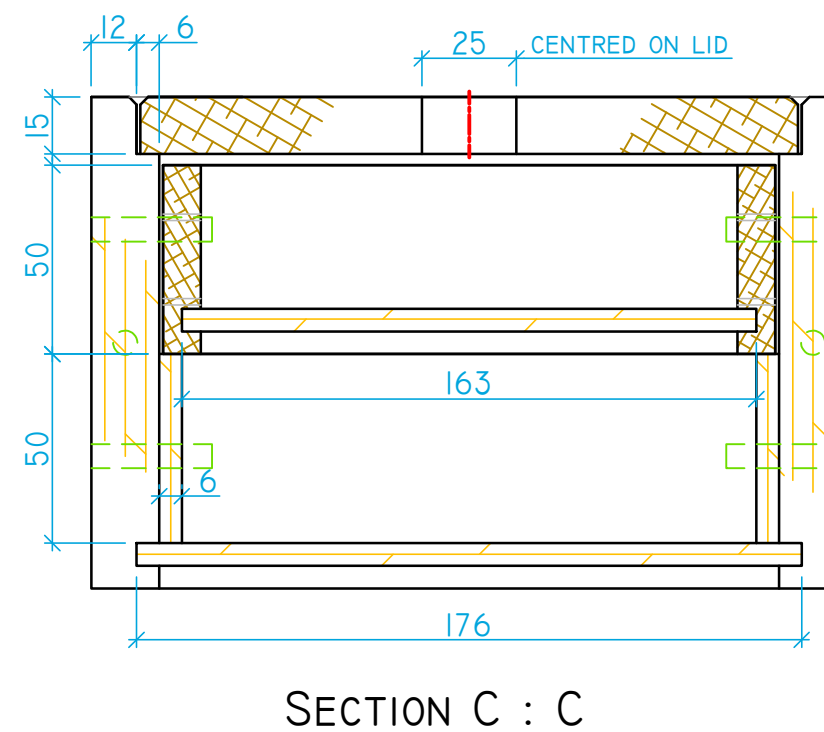
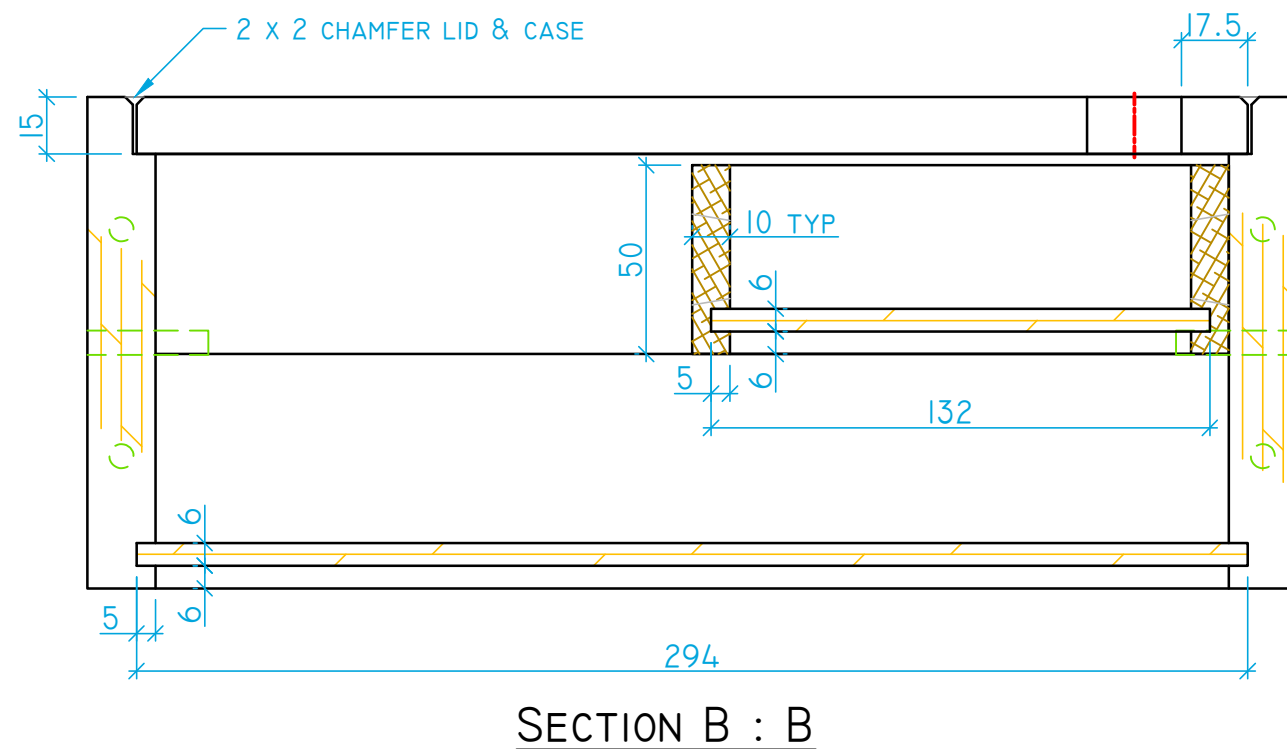
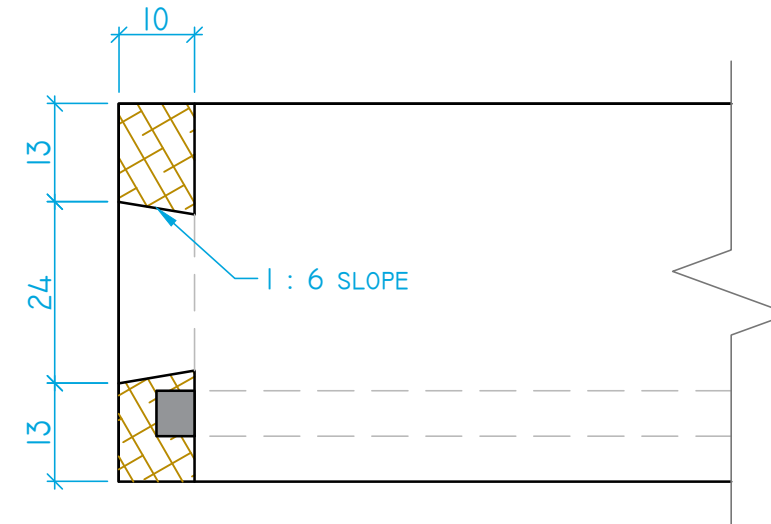
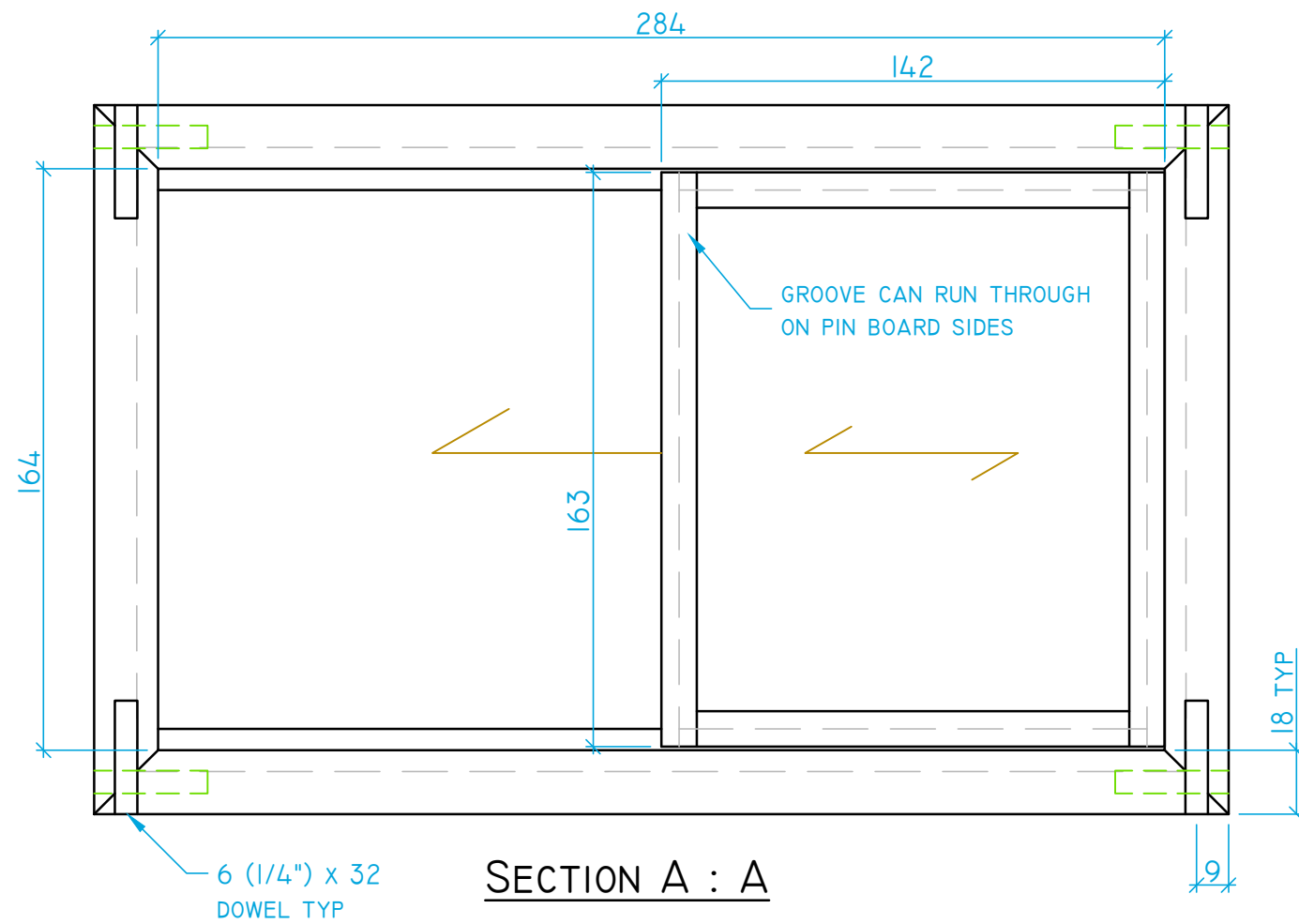
DRAWN BY:

IM / HB

SHEET:

1 OF 2

NOTE:
DRAWINGS FOR TRAINING PURPOSES ONLY
COMPETITION PROJECT MAY HAVE UP TO 30% CHANGE



NOTES:

- CASE PARTS:
- 18 AND 6 MM BALTIC BIRCH
CASE JOINERY:
- MITRED CORNERS WITH DOWELS
- BOTTOM IN 5 X 6 GROOVE
TRAY:
- CHERRY HARDWOOD OR SIMILAR
- 6 MM PLY BOTTOM IN 5 X 6 GROOVE
- DOVETAIL CORNERS CUT WITH HAND TOOLS ONLY
- PHOTOS OF DOVETAILS PRIOR TO ASSEMBLY NEED TO BE SUBMITTED TO RECEIVE "PRIOR TO ASSEMBLY" MARKS
- TRAY SLIDES ON 6 MM PLY RAILS

PROJECT:

SKILLS-IN-A-BOX

LEVEL:

REGIONAL
COMPETITION

DRAWING DESCRIPTION

SECTIONS
VIEWS

DATE:

JAN 18, 2021

SCALE:

1 : 2

DRAWN BY:

IM / HB

SHEET:

2 OF 2