

GENERAL NOTES

INDEX

- A1 - ISOMETRIC
- A2 - FLOOR PLAN
- A3 - ROOF PLAN
- A4 - ELEVATIONS
- A5 - SECTIONS
- A6 - DETAILS

FOR EDUCATIONAL
PURPOSE ONLY

No.	REVISION / ISSUE	DATE:



**CARPENTRY
REGIONAL**

ISOMETRIC

VERSION: (DRAFT 2021-01-25)

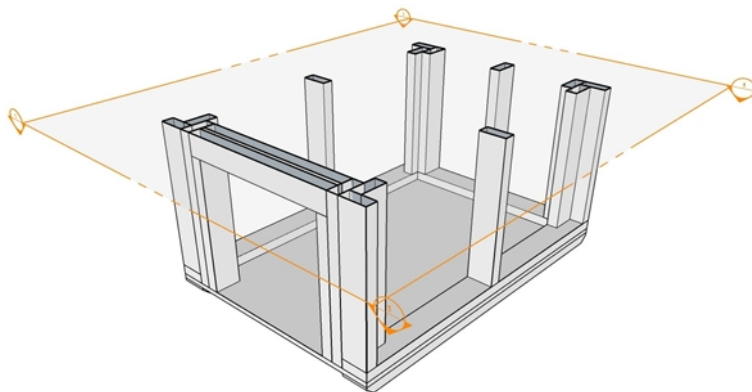
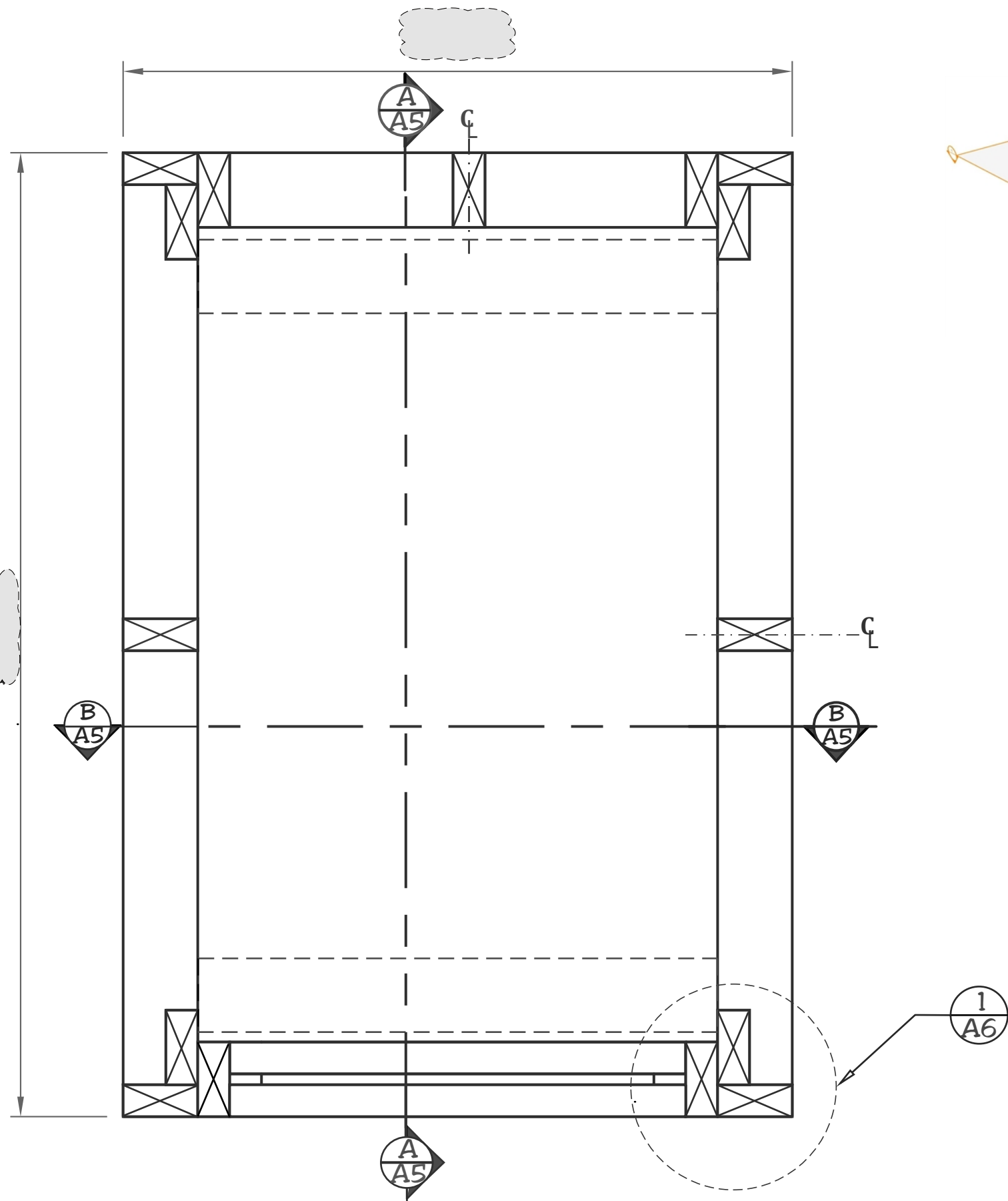
DRAWN BY:
K. McKinley (Mick)

DATE:
SK-AB 2021

SCALE:
AS NOTED

SHEET

A 1



FLOOR PLAN

GENERAL NOTES

- 1) All fastening methods to comply with the current National Building Code.
- 2) Wall framing: 2 x4
38mm x 89mm U.N.O.
- 3) All dimensions: Framing to framing.
- 4) Wall studs centred.

FOR EDUCATIONAL
PURPOSE ONLY

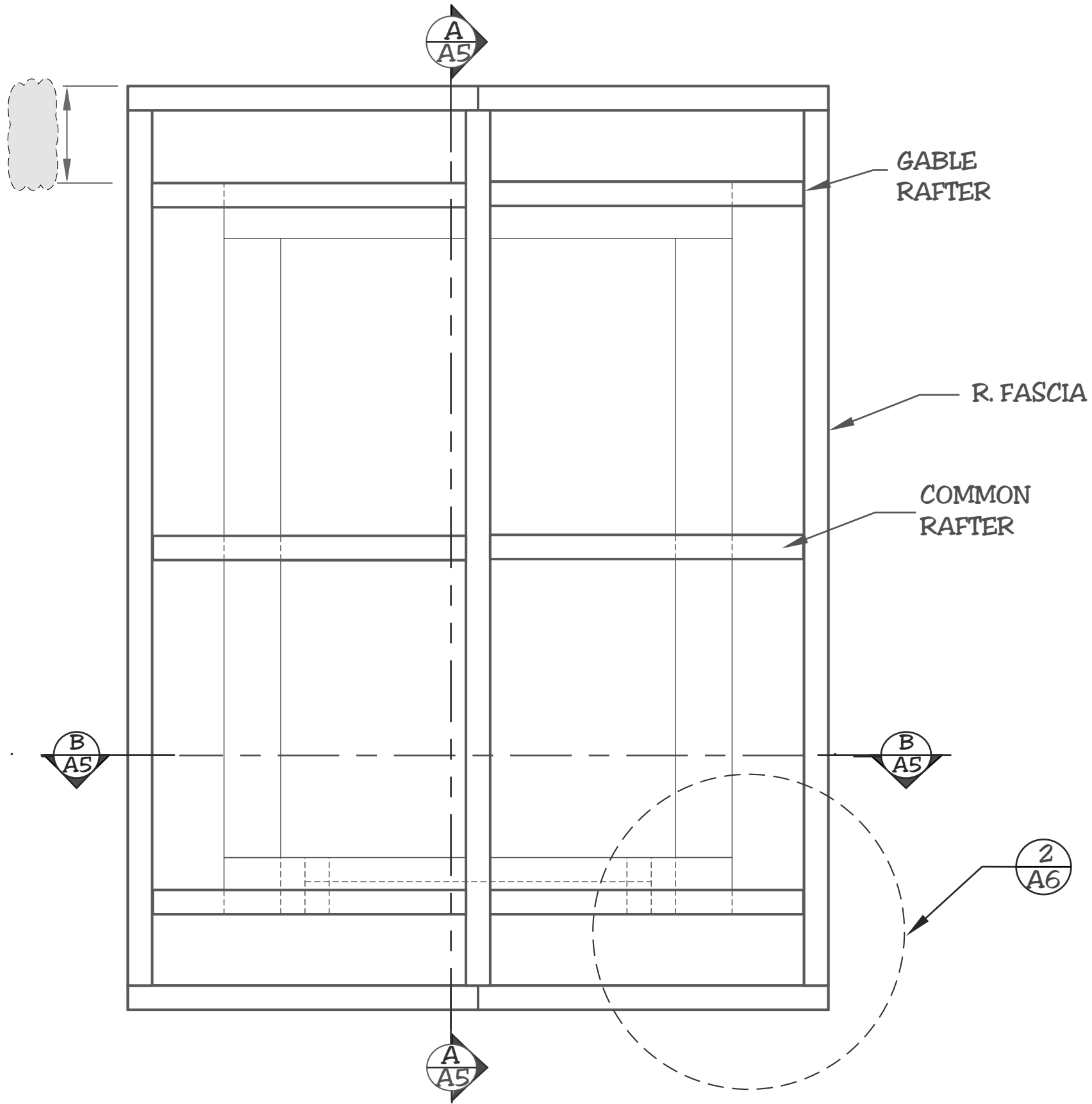
No.	REVISION / ISSUE	DATE:



**CARPENTRY
REGIONAL**

FLOOR PLAN
VERSION: (DRAFT 2021-01-25)

DRAWN BY: K. McKinley (Mick)	SHEET A 2
DATE: SK-AB 2021	
SCALE: AS NOTED	



GENERAL NOTES

- 1) Roof complete w/o sheathing
- 2) Roof framing components
2"x4" 38mm x 89mm U.N.O.
- 3) Eaves projection 150mm

FOR EDUCATIONAL
PURPOSE ONLY

No.	REVISION / ISSUE	DATE:



**CARPENTRY
REGIONAL**

ROOF PLAN

VERSION: (DRAFT 2021-01-25)

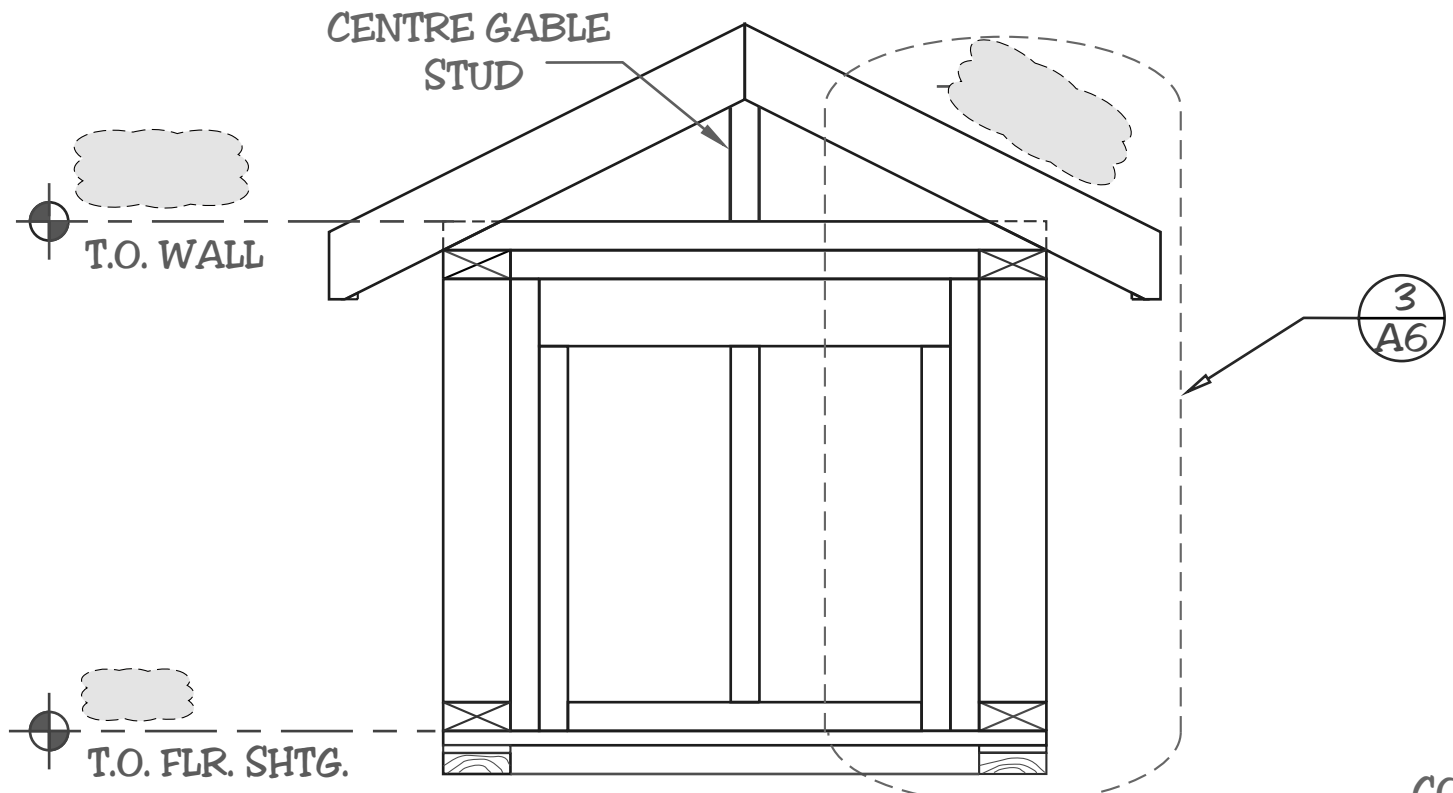
DRAWN BY:
K. McKinley (Mick)

DATE:
SK-AB 2021

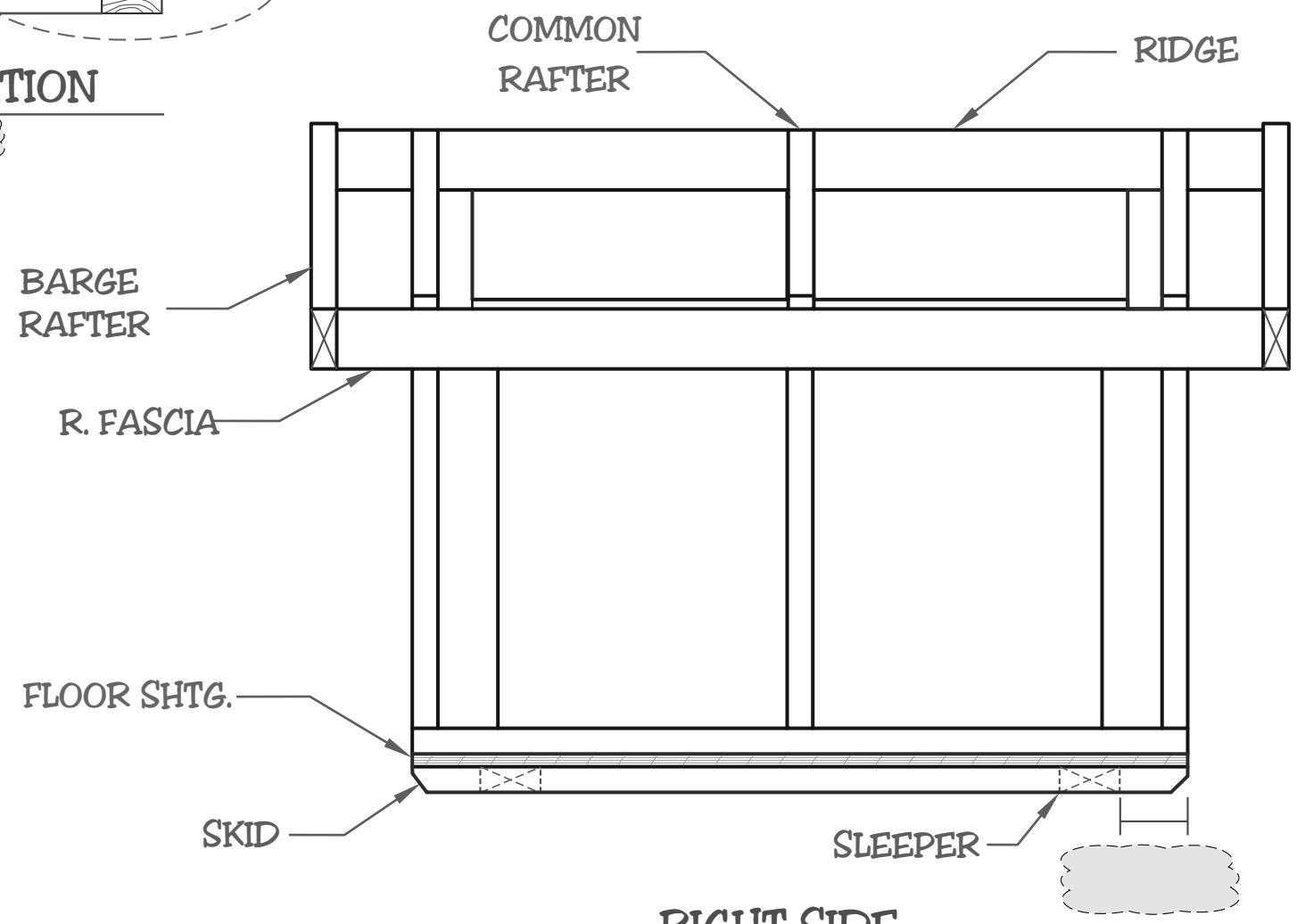
SCALE:
AS NOTED

SHEET

A 3



FRONT ELEVATION
SCALE [redacted]



RIGHT SIDE
SCALE [redacted]

GENERAL NOTES

FOR EDUCATIONAL PURPOSE ONLY

No.	REVISION / ISSUE	DATE:



CARPENTRY REGIONAL

ELEVATIONS

VERSION: (DRAFT 2021-01-25)

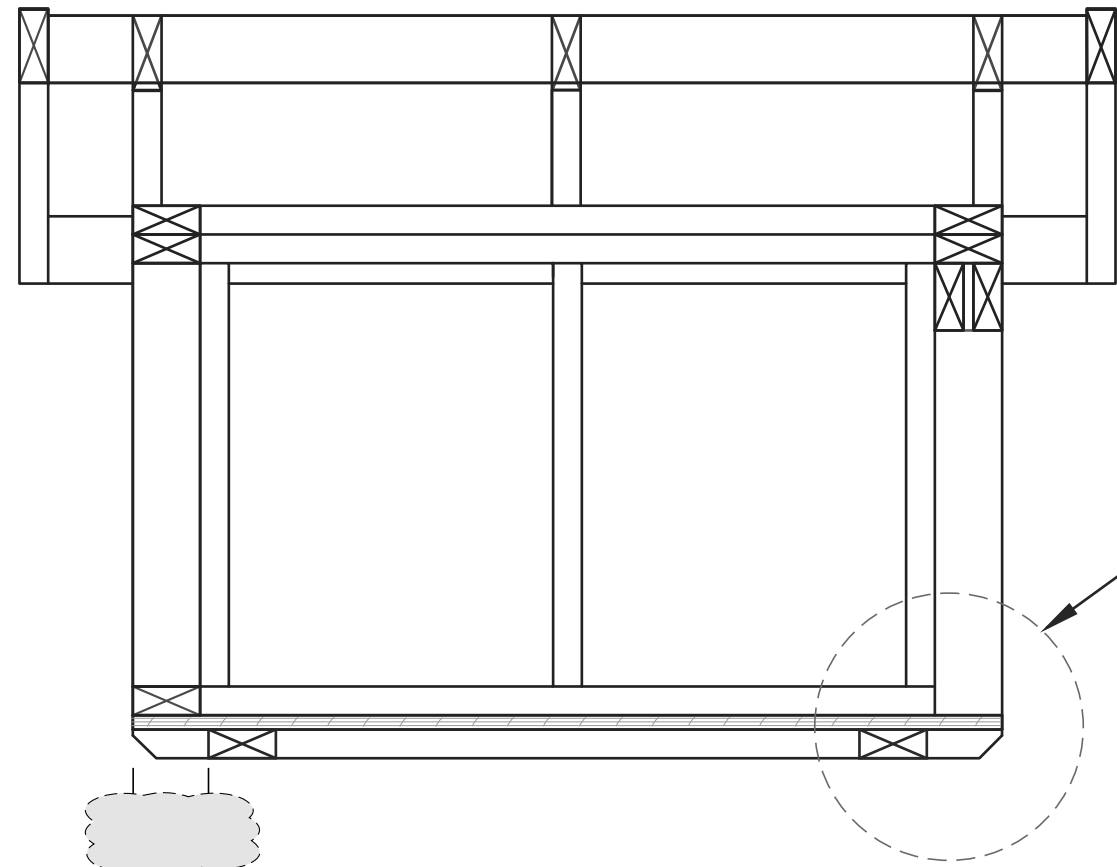
DRAWN BY:
K. McKinley (Mick)

DATE:
SK-AB 2021

SCALE:
AS NOTED

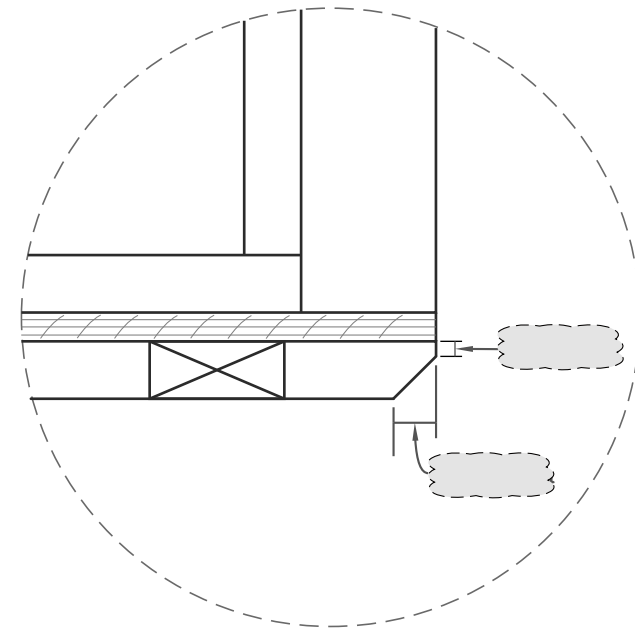
SHEET

A 4



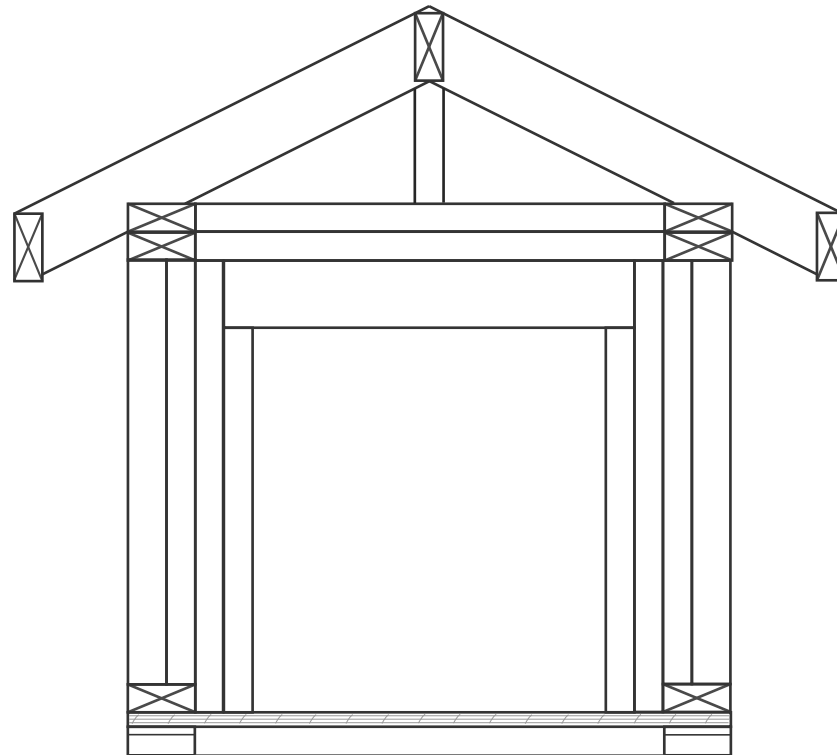
SECTION A-A

SCALE: [REDACTED]



SKID DETAIL

4
A5



SECTION B-B

SCALE: [REDACTED]

GENERAL NOTES

FOR EDUCATIONAL
PURPOSE ONLY

No.	REVISION / ISSUE	DATE:



**CARPENTRY
REGIONAL**

SECTIONS

VERSION: (DRAFT 2021-01-25)

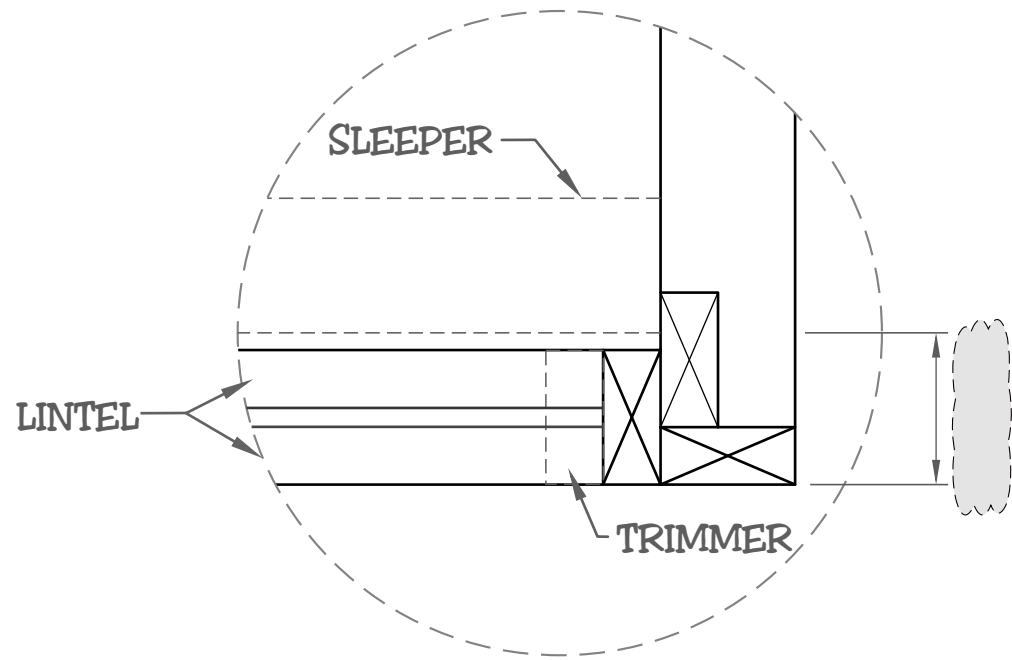
DRAWN BY:
K. McKinley (Mick)

DATE:
SK-AB 2021

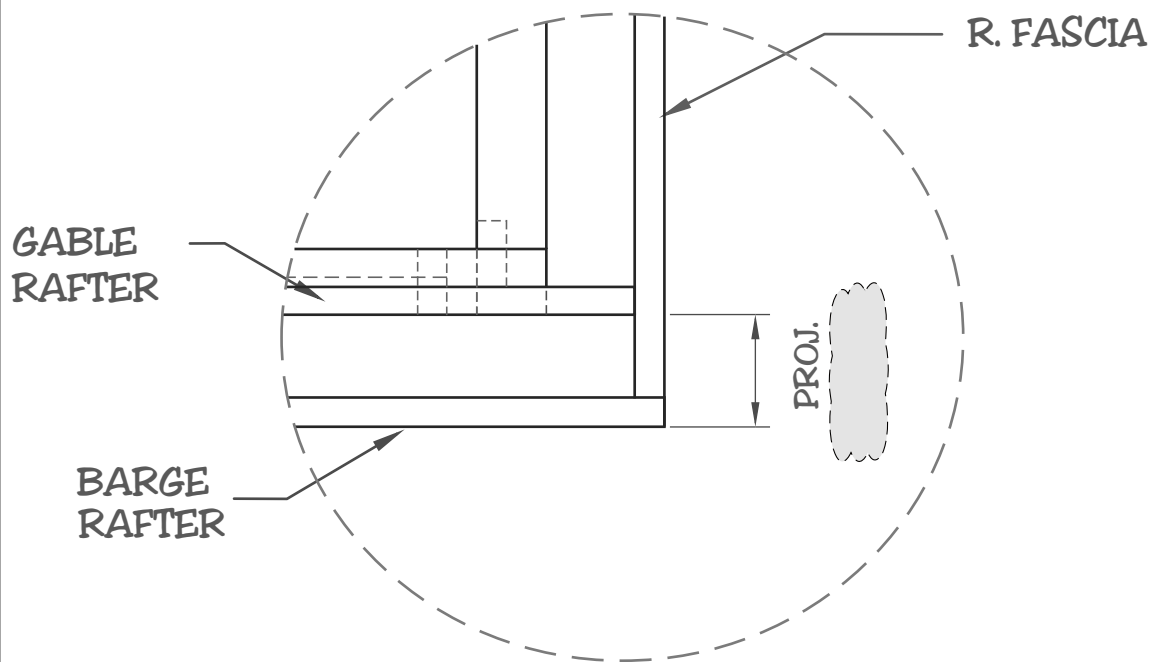
SCALE:
AS NOTED

SHEET

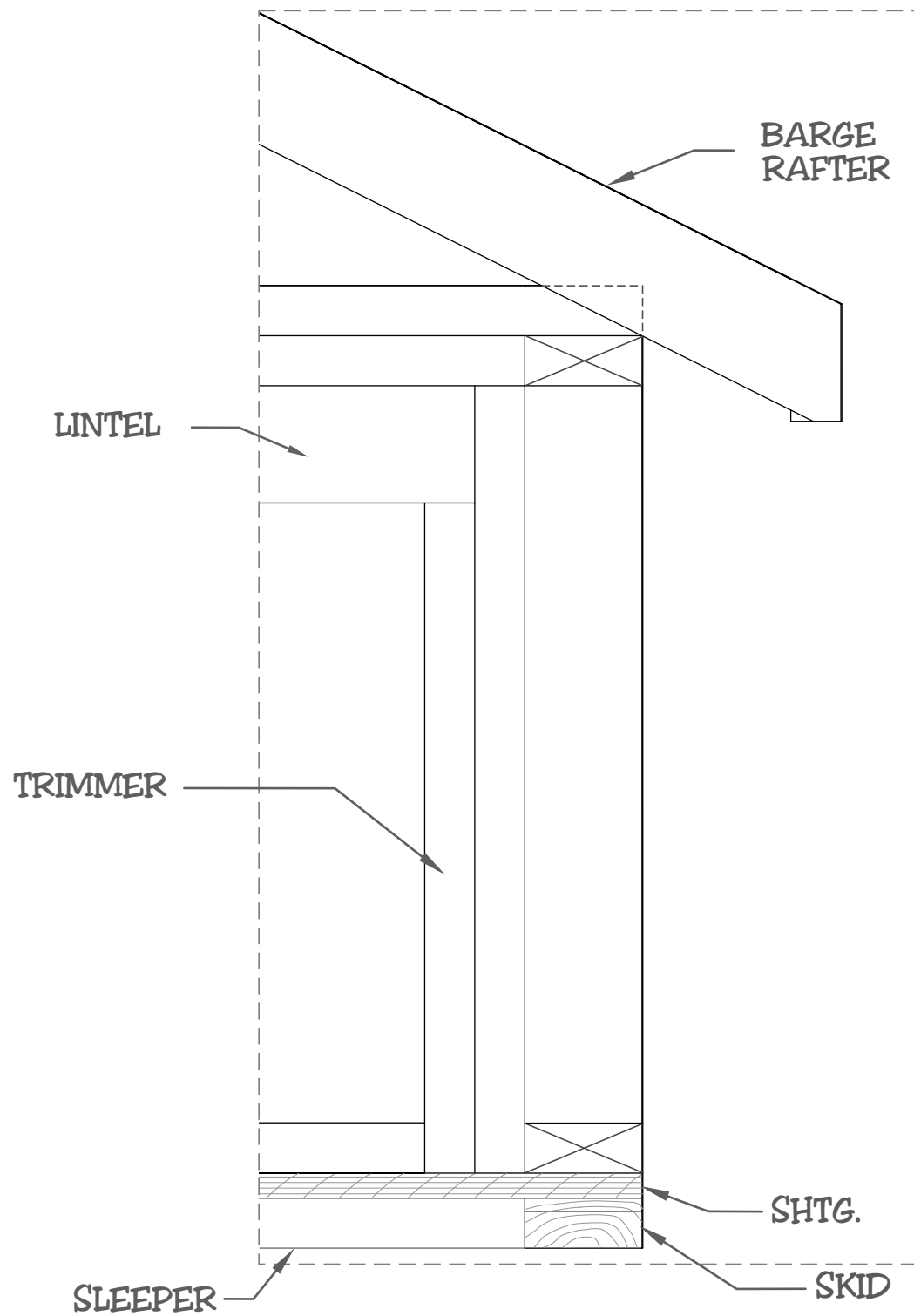
A 5



1 WALL CORNER TYP.
A2 SCALE: [REDACTED]



2 RAFTER-BARGE-FASCIA
A3 SCALE: [REDACTED]



3 FRONT CORNER
A4 SCALE: [REDACTED]

GENERAL NOTES

- 1) BIRDSMOUTH (BM):
Plumb cut
38 mm (1-1/2)
- 2) FLOOR SHTG:
19mm (3/4) Plywood
or equivalent
- 3) SKIDS:
SPF No. 2 or better
38mm x 89mm (2 x 4)

FOR EDUCATIONAL
PURPOSE ONLY

No.	REVISION / ISSUE	DATE:



**CARPENTRY
REGIONAL**

DETAILS

VERSION: (DRAFT 2021-01-25)

DRAWN BY:
K. McKinley (Mick)

DATE:
SK-AB 2021

SCALE:
AS NOTED

**SHEET
A 6**