



Contest Description
Edmonton Expo Centre, Edmonton
May 3 & May 4, 2023

EVENT: Joinery	LEVEL: Secondary																																		
WORLDSKILLS TRADE #: 25	LOCATION: HALL C, Edmonton Expo Centre, Edmonton																																		
DURATION: 12 hours (two days)	REGIONALIZED: NO																																		
COMPETITION SCHEDULE:																																			
May 3:	May 4:																																		
<table border="1"> <tr><td>ORIENTATION</td><td>7:30AM-8:00AM</td></tr> <tr><td>COMPETITION</td><td>8:00AM-9:45AM</td></tr> <tr><td>BREAK</td><td>9:45AM-10:00AM</td></tr> <tr><td>COMPETITION</td><td>10:00AM-11:30AM</td></tr> <tr><td>LUNCH</td><td>11:30AM-12:00NOON</td></tr> <tr><td>COMPETITION</td><td>12:00NOON-1:30PM</td></tr> <tr><td>BREAK</td><td>1:30PM-1:45PM</td></tr> <tr><td>COMPETITION</td><td>1:45PM-3:00PM</td></tr> <tr><td>Clean up</td><td>3:00PM- 3:30PM</td></tr> </table>	ORIENTATION	7:30AM-8:00AM	COMPETITION	8:00AM-9:45AM	BREAK	9:45AM-10:00AM	COMPETITION	10:00AM-11:30AM	LUNCH	11:30AM-12:00NOON	COMPETITION	12:00NOON-1:30PM	BREAK	1:30PM-1:45PM	COMPETITION	1:45PM-3:00PM	Clean up	3:00PM- 3:30PM	<table border="1"> <tr><td>COMPETITION</td><td>8:00AM-9:45AM</td></tr> <tr><td>BREAK</td><td>9:45AM-10:00AM</td></tr> <tr><td>COMPETITION</td><td>10:00AM-11:30AM</td></tr> <tr><td>LUNCH</td><td>11:30AM-12:00NOON</td></tr> <tr><td>COMPETITION</td><td>12:00 NOON-1:30PM</td></tr> <tr><td>BREAK</td><td>1:30PM-1:45PM</td></tr> <tr><td>COMPETITION</td><td>1:45PM-3:00PM</td></tr> <tr><td>CLEAN UP</td><td>3:00PM- 3:30PM</td></tr> </table>	COMPETITION	8:00AM-9:45AM	BREAK	9:45AM-10:00AM	COMPETITION	10:00AM-11:30AM	LUNCH	11:30AM-12:00NOON	COMPETITION	12:00 NOON-1:30PM	BREAK	1:30PM-1:45PM	COMPETITION	1:45PM-3:00PM	CLEAN UP	3:00PM- 3:30PM
ORIENTATION	7:30AM-8:00AM																																		
COMPETITION	8:00AM-9:45AM																																		
BREAK	9:45AM-10:00AM																																		
COMPETITION	10:00AM-11:30AM																																		
LUNCH	11:30AM-12:00NOON																																		
COMPETITION	12:00NOON-1:30PM																																		
BREAK	1:30PM-1:45PM																																		
COMPETITION	1:45PM-3:00PM																																		
Clean up	3:00PM- 3:30PM																																		
COMPETITION	8:00AM-9:45AM																																		
BREAK	9:45AM-10:00AM																																		
COMPETITION	10:00AM-11:30AM																																		
LUNCH	11:30AM-12:00NOON																																		
COMPETITION	12:00 NOON-1:30PM																																		
BREAK	1:30PM-1:45PM																																		
COMPETITION	1:45PM-3:00PM																																		
CLEAN UP	3:00PM- 3:30PM																																		

CONTEST INTRODUCTION

Joinery is the process of connecting or joining two or more pieces of wood together using various wood joints. In the timber frame industry joinery is part of the overall strength and construction of bents. In fine woodworking, common forms of joinery include dovetail joints, mortise-and-tenon joints, biscuit joints, lap joints, spline joints, etc. Joiners construct doors, windows, stairs and other architectural objects. Joinery involves work both by hand and machine.

Over the course of 2 days the participants will demonstrate their Joinery abilities in assembling a project. Each participant will receive a set a plans, a work space, materials and related power tools to complete the task.

PLEASE NOTE**

Joinery is currently not an event at the SCNC and therefore the gold medalist of the Secondary Joinery Competition will not become part of Team Alberta and will not compete at the SCNC. Medals will be awarded during the Awards Ceremony on May 4th.





PURPOSE OF CHALLENGE

- To promote the hand skills needed to be successful as a fine woodworker.
- To evaluate each contestant’s competency to organize and execute a given work assignment accurately and safely in the Joinery trade.
- To recognize outstanding excellence and professionalism.

SKILLS AND KNOWLEDGE TO BE TESTED

- The ability to hand cut a number of joints such as:
 - Timber Frame knee brace joints
 - Mortise and Tenon
- Block Plane chamfers
- The ability to layout joints to be cut
- The ability to read plans and follow written and verbal instructions
- The ability to work safely and efficiently
- The ability to use the following power tools:
 - Drill Press
 - Cordless Drill
 - Chisel Mortisers
 - Miter Saw
 - Router Tables
 - Bandsaws

PROJECT DESCRIPTION

Please see the attached project plans that are available for competitors to practice and train. Please note that these plans are preliminary and may be subject to change. Please check the website frequently for updates. The PTC reserves the right for a 20% change to the plans prior to competition.

EQUIPMENT & MATERIALS

Equipment and Materials Competitors Must Supply:

CSA Approved Steel Toed Boots MUST be worn at all times in competition site.

The following list of tools is a recommended set of Hand Tools that will aid in the success of the competitor.

Standard Set of chisels	Combination square	Cabinet scraper
Sanding block	Metric tape and/or folding ruler	Dovetail saw
Utility Knife	Marking gauge	Wooden Mallet
Cross cut saw (fine and/or Japanese)	Pencils	Eraser
Sliding T bevel	Pencil Sharpener	Personal clamps
File or rasp used for wood	Block Plane (other planes)	



BOSCH





****No retail/commercial aids will be permitted in the competition. Ex. Template guides for joints**

Equipment and Materials Supplied by the Committee:

CSA Approved Safety Glass	Router Table & bits	Glue/ sandpaper
Mitre Saw	Chisel mortise	Cordless Drill
Bandsaw	Drill press & Forstner bits	Work bench

****No other power tools will be permitted in the competition.**

CLOTHING REQUIREMENT

Appropriate work clothing must be worn to compete. All clothing must be neat and clean and free of rips and tears. Casual wear such as shorts will not be permitted. No loose fitting clothes or jewelry. CSA approved steel toed boots must be worn at all times (Note: Steel caps will not be provided).

SAFETY

The health, safety and welfare of all individuals involved with Skills Canada Alberta are of vital importance. Safety is a condition of participation with Skills Canada Alberta and shall not be sacrificed for the sake of expediency. At the discretion of the judges and technical committees, any competitor can be denied the right to participate should they not have the required proper safety equipment and/or act in an unsafe manner that can cause harm to themselves or others. Competitors, Judges, PTC members, and any person within the competition area, are required to wear and use all safety equipment, and follow all industry safety standards during the competition.

Competitors will not be allowed into the competition area without the required safety equipment.

JUDGING CRITERIA

Competitors will be judged on the following:

- Demonstrate skills and competencies in interpreting plans and specifications.
- Safety during project construction.
- Proper selection and use of tools.
- Ability to complete the project in specific time period.
- General tidiness of work area
- Project coordination.
- Quality and accuracy.

JUDGING CRITERIA

• <i>Dimensions</i>	<i>30%</i>
• <i>Construction</i>	<i>40%</i>
• <i>Sale ability/Finishing</i>	<i>20%</i>
• <i>Safety/Cleanup/Material Usage</i>	<i>10%</i>
<hr/>	
<i>Overall Total</i>	<i>100%</i>





TIE BREAKING PROCESS

If two or more participants are tied in points at the end of the competition, the following shall apply to determine the placing:

- Step 1. Re-evaluate the effected projects with different judges.
- Step 2. Participant who has completed the project in the least amount of time.
- Step 3. Participant with the highest Safety score.

RELATED CAREER AND TECHNOLOGY STUDIES COURSES

Descriptions of all modules are located at the following website:

<https://education.alberta.ca/media/160535/cons.pdf>

- CON 1010 CONSTRUCTION TOOLS & MATERIALS
- CON 1120 PRODUCT MANAGEMENT
- CON 1130 SOLID STOCK CONSTRUCTION
- CON1160: MANUFACTURED MATERIALS
- CON3130: FURNITURE – LEG & RAIL

ADDITIONAL INFORMATION

- There will be no Theory Exam
- The full project plans will be available online and competitors are encouraged to use the plans to practice.
- The PTC reserves the right for a 20% change to the plans prior to competition.
- Coaching is encouraged prior to the competition. No Coaching is permitted from the sidelines and any Coach who is found in violation of these risks may result in the disqualification of their competitor.
- Coaching will not be allowed in the competition area during competition.

Skills Canada Alberta Regional and Provincial Rules and Regulations

[Regional and Provincial Rules and Regulations](#)

Competitor Registration

Registration for Provincial Skills Canada Competition (PSCC) will open online on January 18, 2023 @ 8:30 AM. Please refer to this competitions event page for additional registration and competition information:

<https://skillsalberta.com/competition/>

Lunch

Lunch for accredited competitors will be provided by Skills Canada Alberta.

Parking & Venue Maps: <http://edmontonexpocentre.com/attend/parking/>



BOSCH





Opening Ceremonies / Competitor Registration

Opening Ceremonies for the PSCC will take place on Tuesday May 2, 2023 at 6:00 pm in Hall D of the Edmonton EXPO Centre. Admission is free, and everyone is welcome to attend. It is important to note that competitor registration will open immediately following the Opening Ceremony.

Awards Ceremony

The Awards Ceremony will take place on Thursday May 4, 2023 at 6:30 pm in Hall D of the Edmonton EXPO Centre. Admission is free and everyone is welcome to attend. The Awards Ceremony will be shown live at <http://skillsalberta.com/>

Questions?

Please contact Kennedy Mayer at kennedym@skillsalberta.com if you have any questions regarding the Contest Description.

COMMITTEE MEMBERS

Kendell Anquist (Chair) – SAIT Polytechnic
--

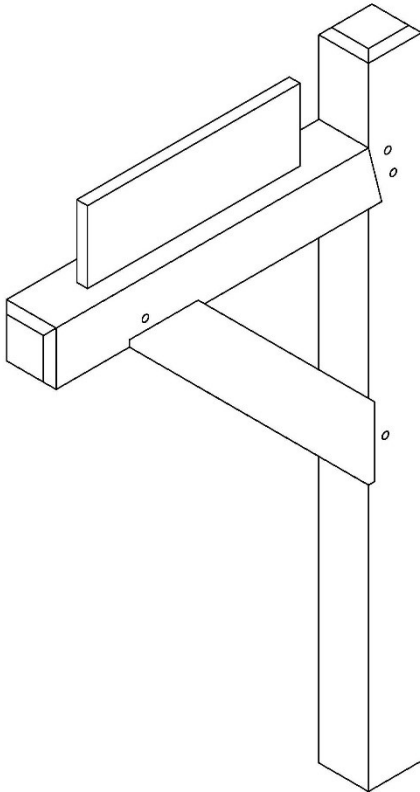
SEE BELOW FOR TEST PROJECT DETAILS:



PROJECT

Sign Post

*For full plans, please look at the Test Project document that is posted separately on the Skills Alberta website.



BOSCH

