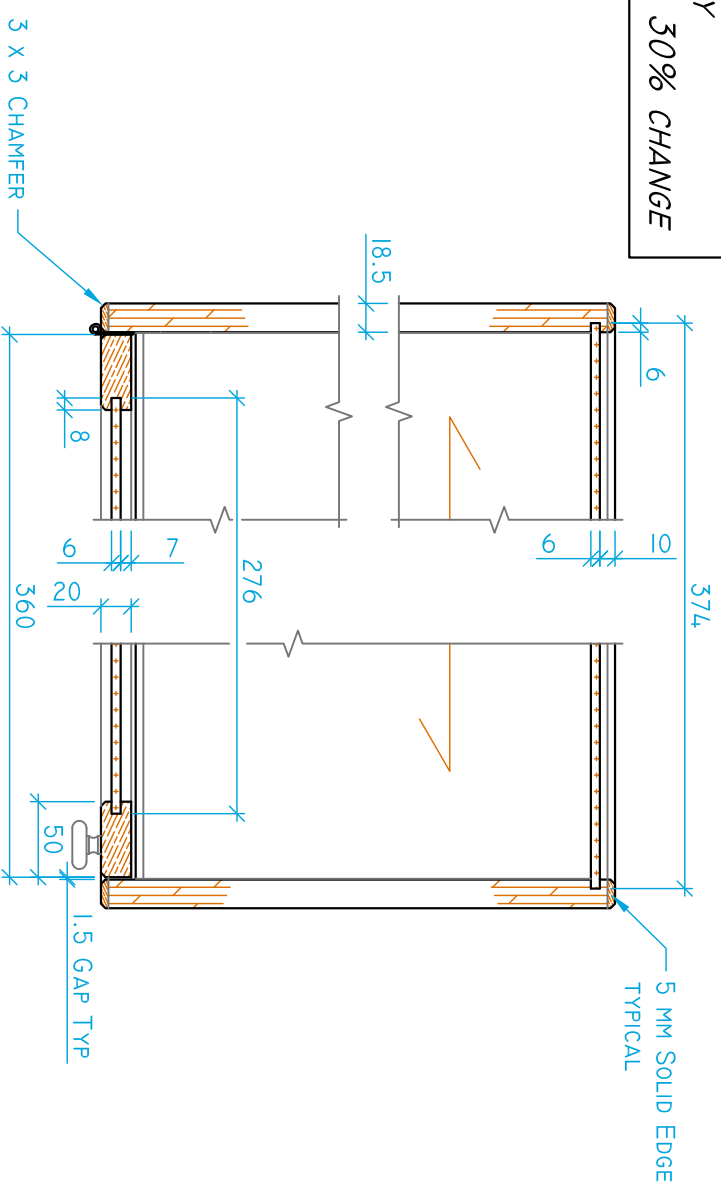
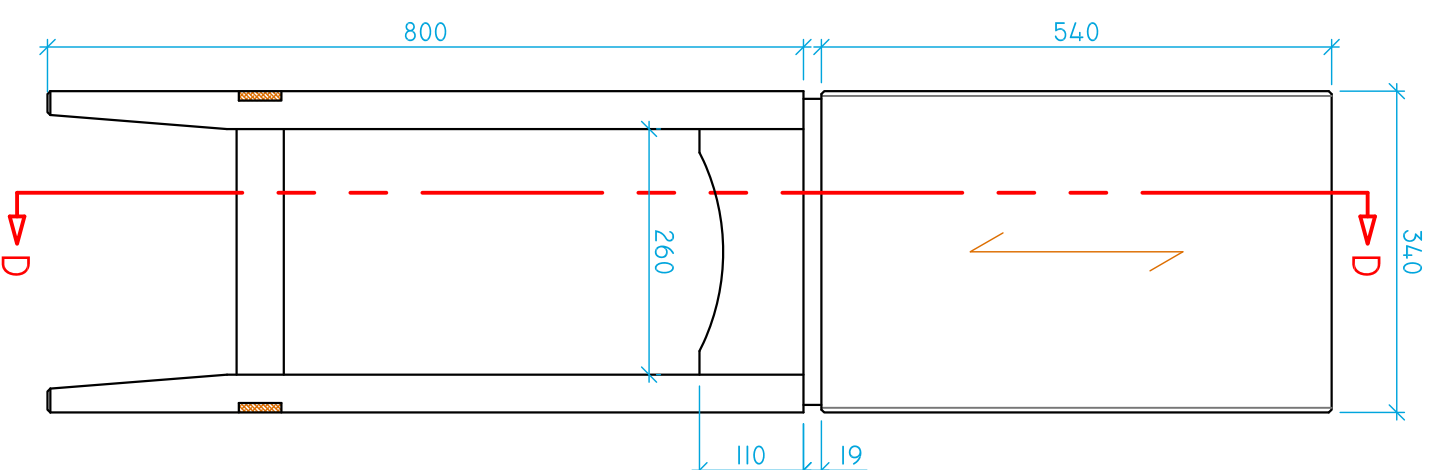
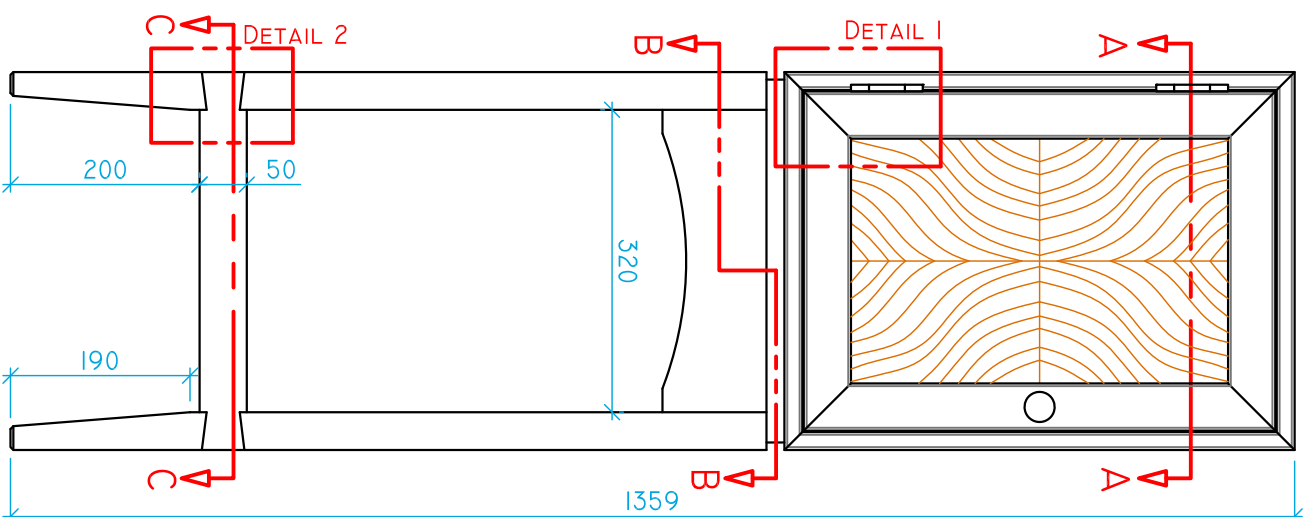
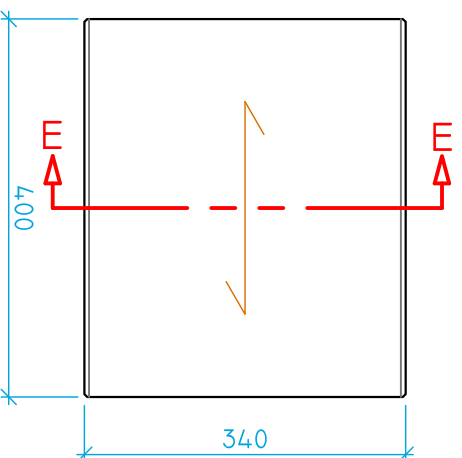
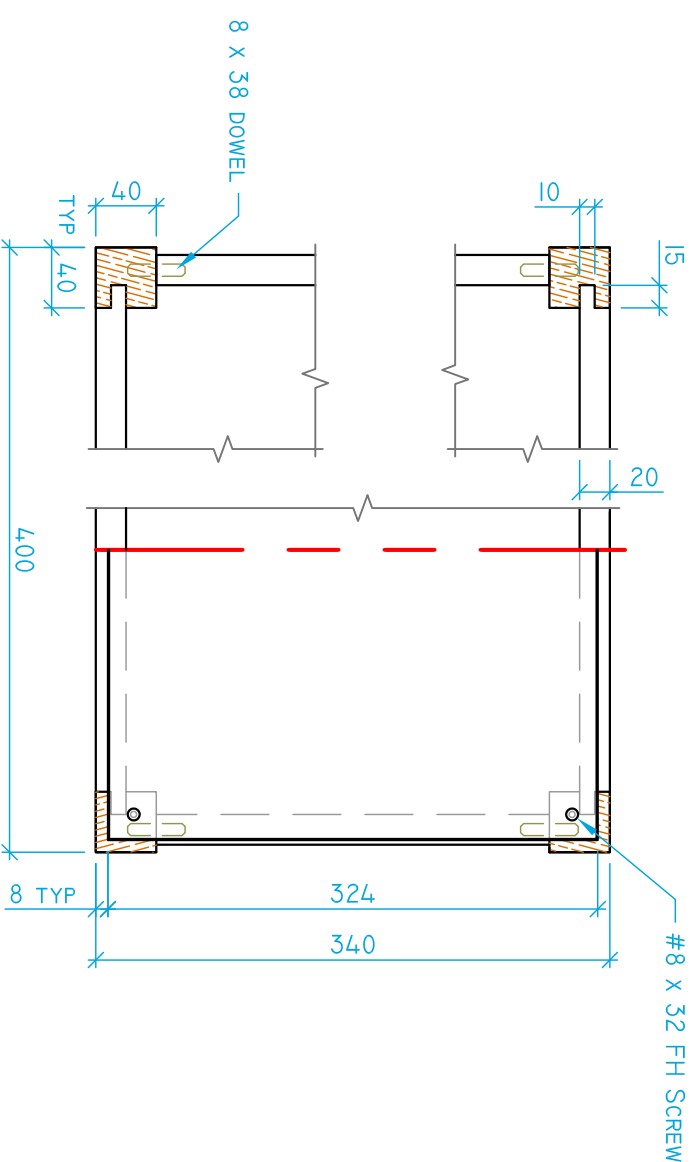


NOTE:
DRAWINGS FOR TRAINING PURPOSES ONLY
COMPETITION PROJECT MAY HAVE UP TO 30% CHANGE



SECTION A:A SCALE 1:5



SECTION B:B SCALE 1:5

ORTHO VIEWS

SCALE 1:8

NOTES:
UPPER CASE
- MITRED PLYWOOD WITH 5 MM SOLID CHAMFERED EDGE
MID PANEL
- SUPPLIED TO SIZE WITH EDGING
LOWER STAND
- SOLID LEGS AND RAILS WITH MORTISE AND TENON, DOWEL AND LAP DOVETAIL JOINERY
- TEMPLATES FOR CURVED RAIL LAYOUT WILL BE PROVIDED
DOOR
- MITRED FRAME WITH VENEERED, 4-WAY MATCH PANEL

PROJECT:
MITRED CASE WITH STAND

LEVEL:
POST SECONDARY

DRAWING DESCRIPTION
ORTHO VIEWS SECTIONS A:A & B:B

DATE:

DEC. 10, 2022

SCALE:

AS NOTED

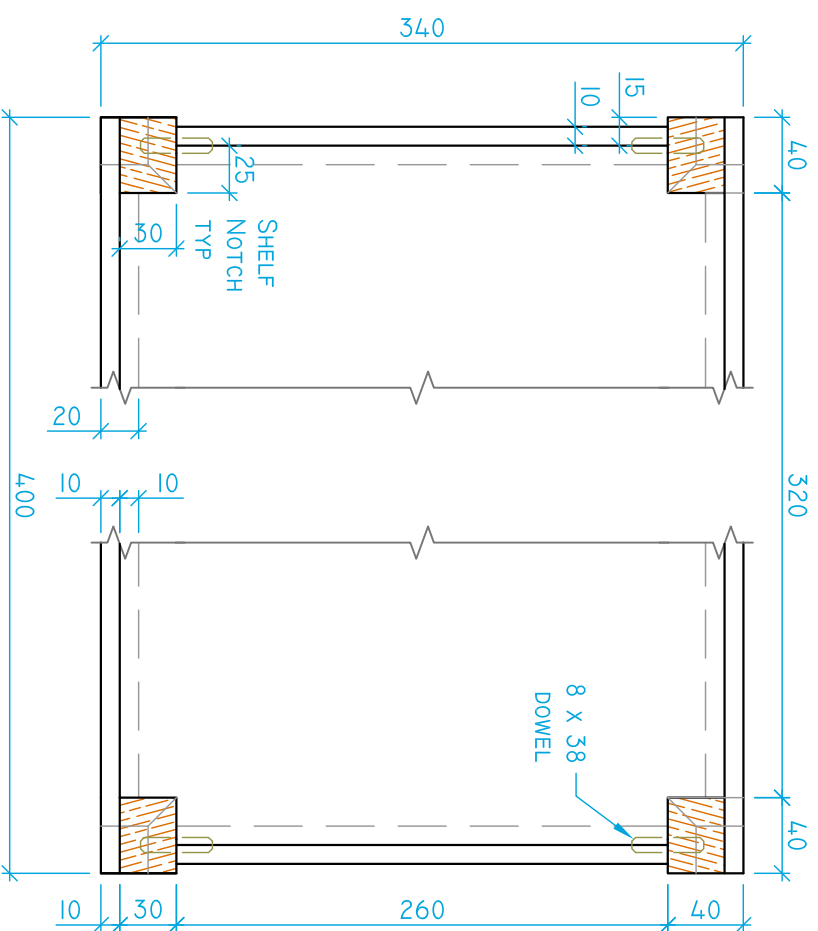
DRAWN BY:

HB

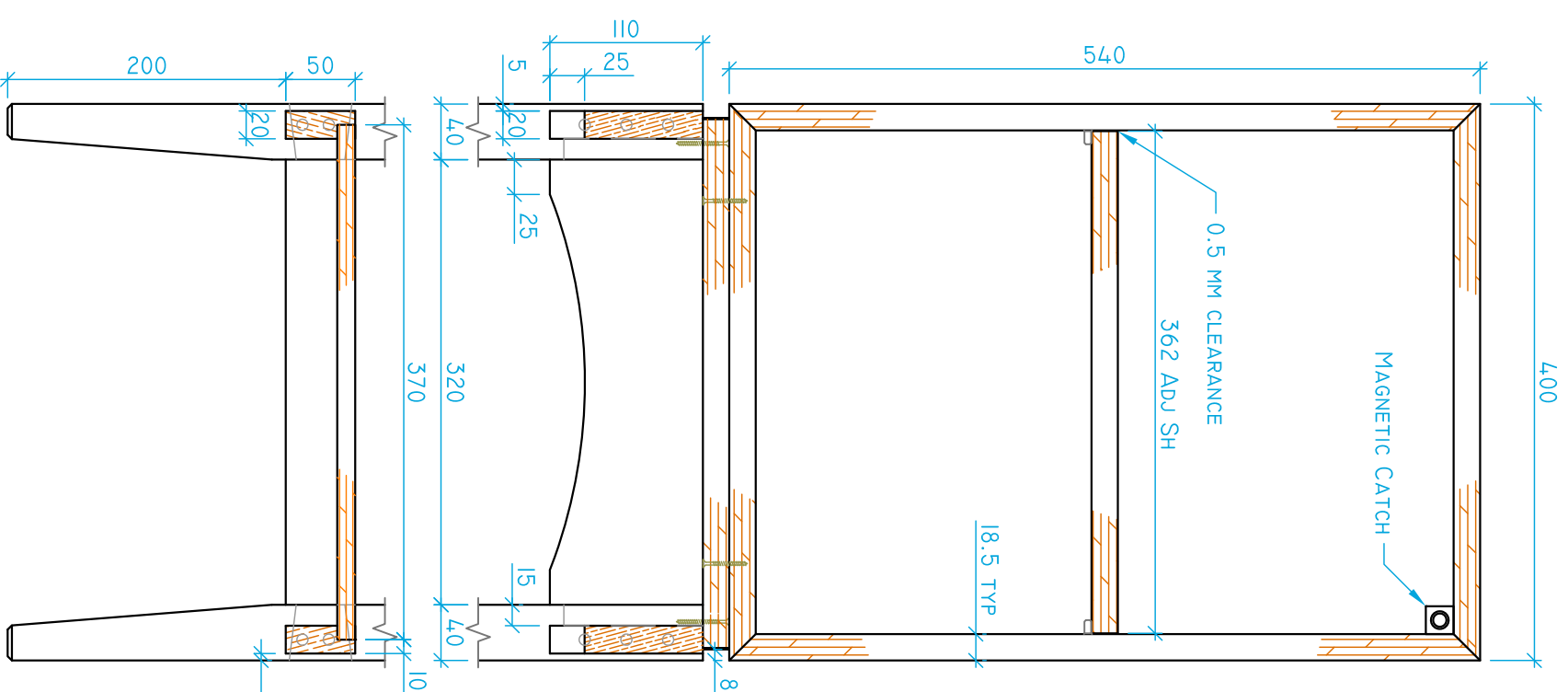
SHEET:

1 OF 4

NOTE:
DRAWINGS FOR TRAINING PURPOSES ONLY
COMPETITION PROJECT MAY HAVE UP TO 30% CHANGE



SECTION C:C SCALE 1:4



SECTION D : D - SCALE 1 : 5



NOTES:
- ADJUSTABLE SHELF ON 5 MM SHELF PINS
- PLYWOOD MIDDLE DIVIDER (BETWEEN CASE AND STAND) SUPPLIED TO SIZE AND EDGED
- LOWER FRAME SHELF SET IN 10 X 13 RABBET, CORNERS NOTCHED FOR LEG

PROJECT:
MITRED CASE WITH STAND

LEVEL:
POST SECONDARY

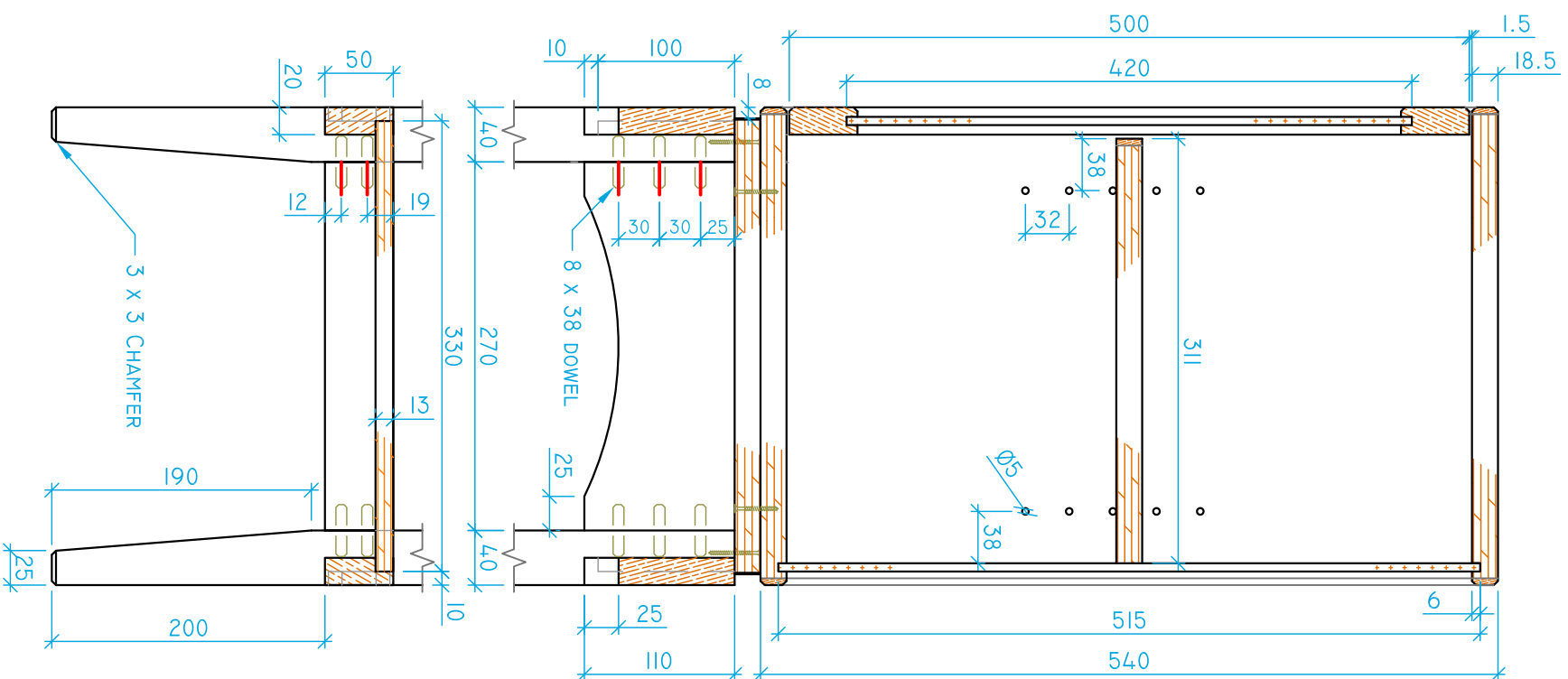
DRAWING DESCRIPTION
SECTION C:C
SECTION D:D

DATE:
DEC. 10, 2022

SCALE:
AS NOTED

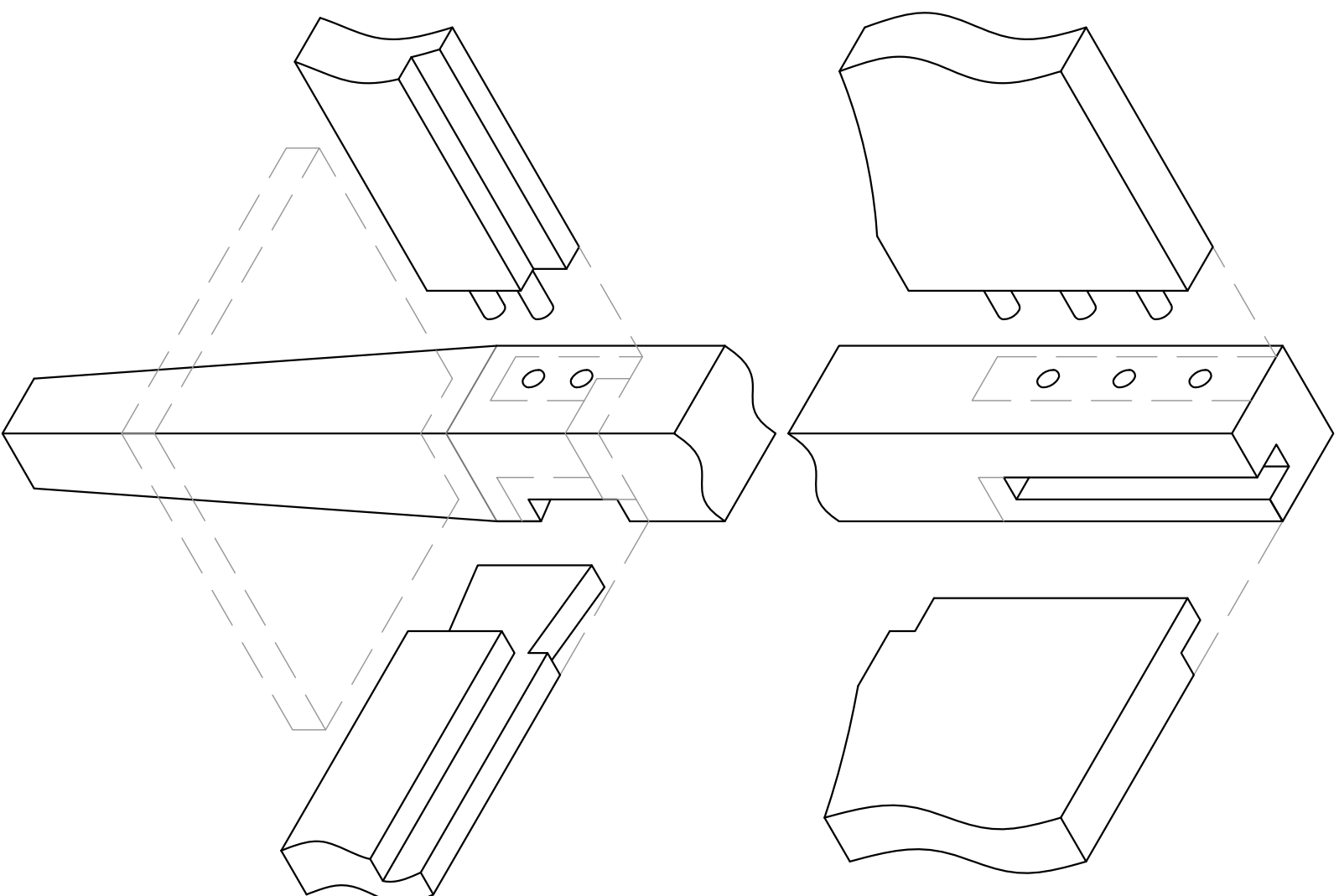
DRAWN BY:
HB

SHEET:
2 OF 4



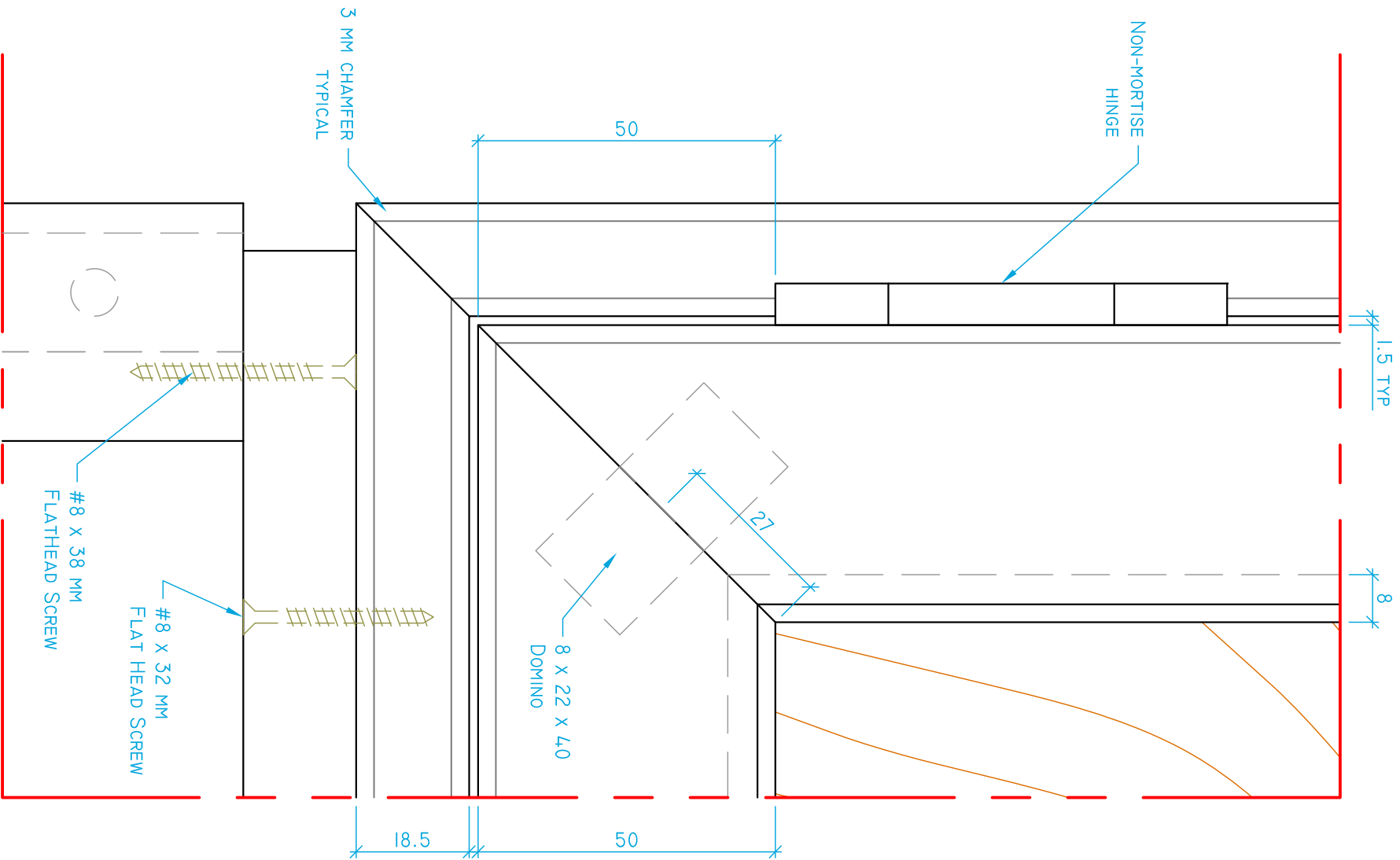
SECTION E:E SCALE 1:5

NOTE:
 DRAWINGS FOR TRAINING PURPOSES ONLY
 COMPETITION PROJECT MAY HAVE UP TO 30% CHANGE

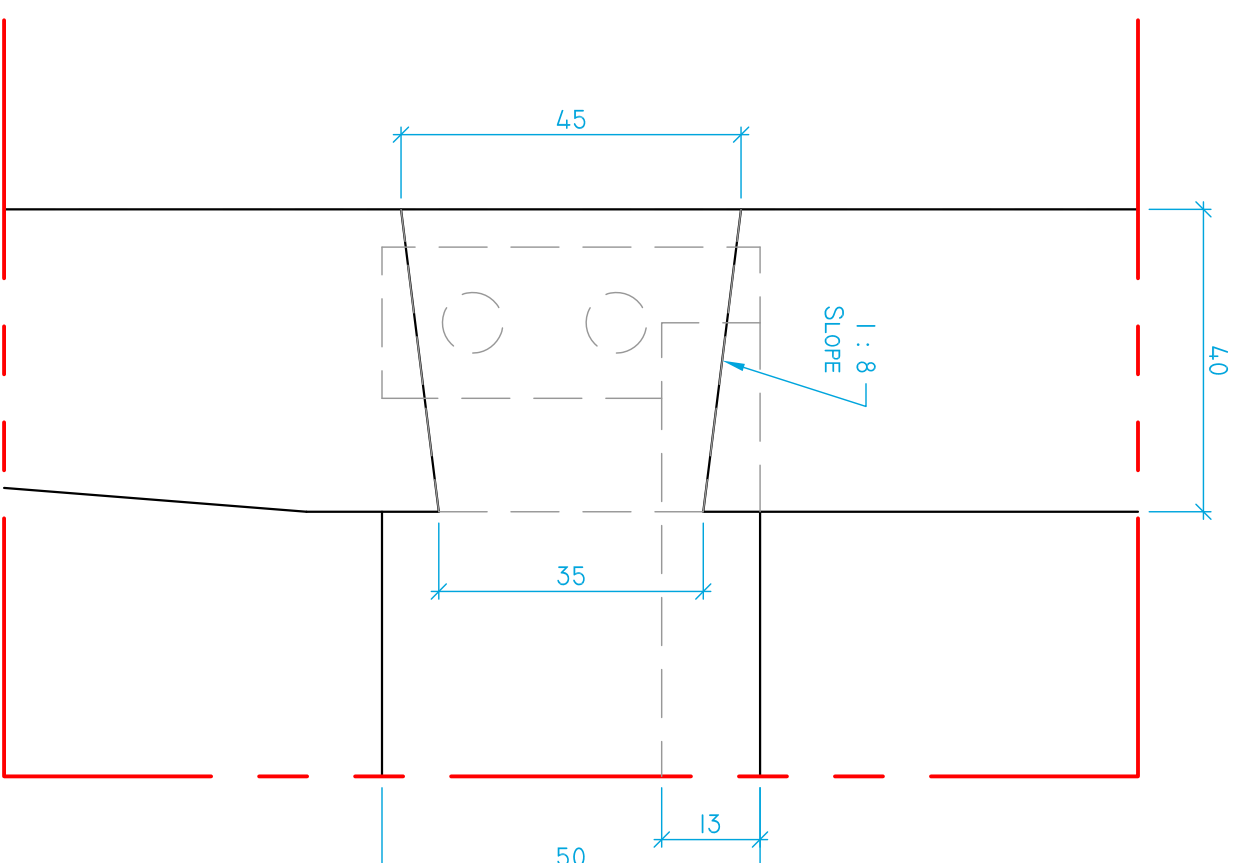


LOWER FRAME
 EXPLODED ISOMETRIC - SCALE 1:2.5

NOTE:
DRAWINGS FOR TRAINING PURPOSES ONLY
COMPETITION PROJECT MAY HAVE UP TO 30% CHANGE



DETAIL 1 SCALE 1:1



DETAIL 2 - SCALE 1:1

NOTES:
- NON-MORTISE HINGE
- LEE VALLEY #00H5124
- FLOATING TENON/DOMINO JOINERY ON MITRED DOOR CORNER
- LAP DOVETAIL JOINERY ON LOWER FRAME - HAND TOOLS ONLY - WILL BE MARKED BEFORE AND AFTER ASSEMBLY

PROJECT:

MITRED CASE WITH STAND

LEVEL:

POST SECONDARY

DRAWING DESCRIPTION

DETAIL 1
DETAIL 2

DATE:

DEC. 10, 2022

SCALE:

AS NOTED

DRAWN BY:

HB

SHEET:

4 OF 4