

General Notes

## INDEX

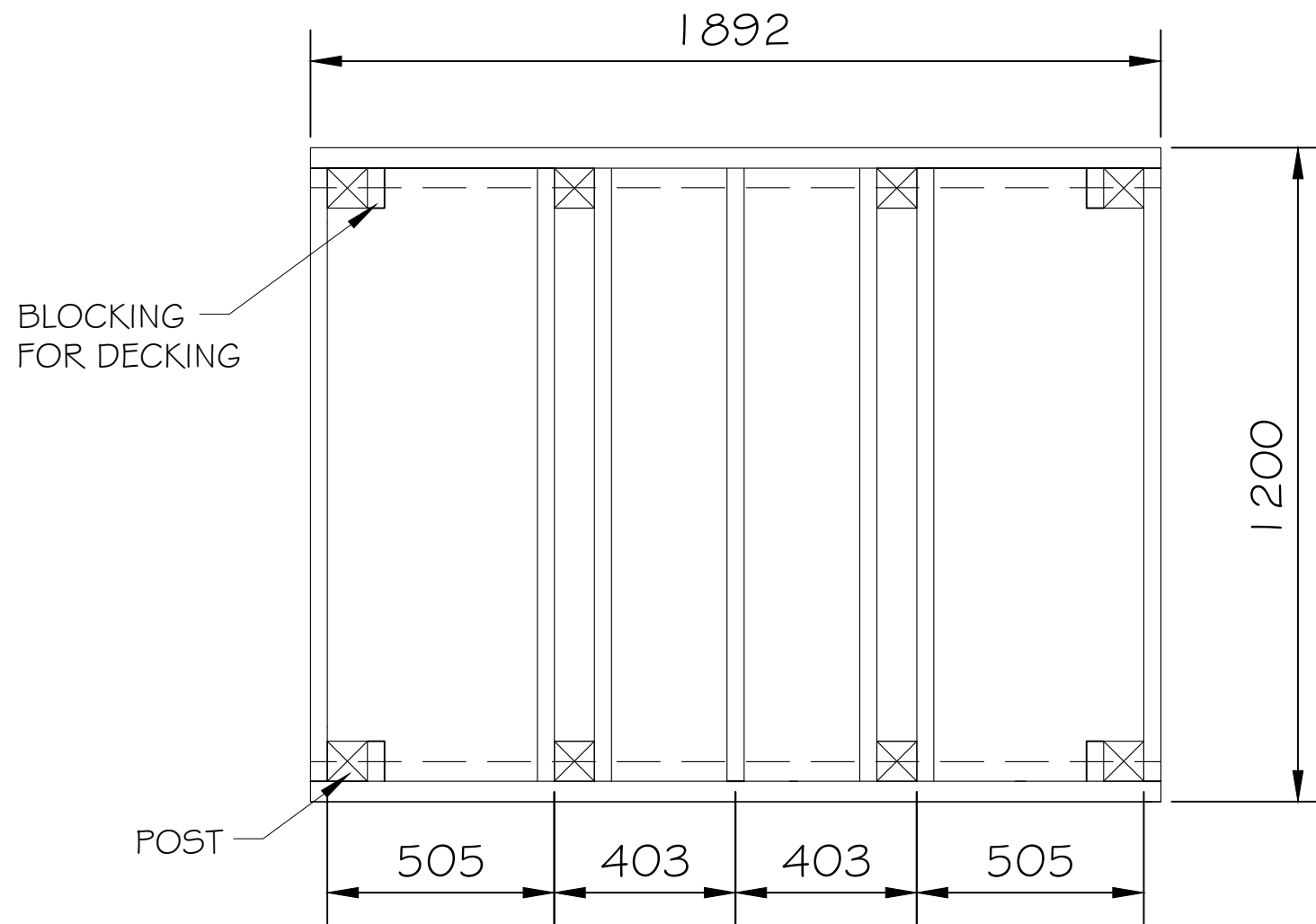
- 1 ISOMETRIC
- 2 FLOOR FRAMING PLAN
- 3 FLOOR DECKING PLAN
- 4 MAIN FLOOR PLAN
- 5 ROOF FRAMING PLAN
- 6 ELEVATIONS
- 7 SECTIONS
- 8 DETAILS
- 9 DETAILS

No.	Revision/Issue	Date



Provincial  
Secondary Project

Drawing	ISOMETRIC	Sheet	1
Date	11/15/2022		
Scale	SCALE		



○ FLOOR FRAMING PLAN

General Notes

- ACQ 2X4 FLOOR FRAMING
- FLOOR FRAMING TO BE FASTENED WITH 2 - 3-1/4" HDG NAILS THROUGH HEADER INTO JOIST
- BLOCKING FOR DECKING 38 X 89
- EACH POST TO BE FASTENED TO JOISTS WITH 4 - 3 1/2" HDG NAILS
- FLOOR FRAME TO BE TOE NAILED THROUGH JOISTS INTO SKID WITH 3 1/2" HDG NAILS

No.	Revision/Issue	Date



Provincial  
Secondary Project

Drawing	FLOOR	Sheet	2
Date	11/15/2022		
Scale	SCALE		

General Notes

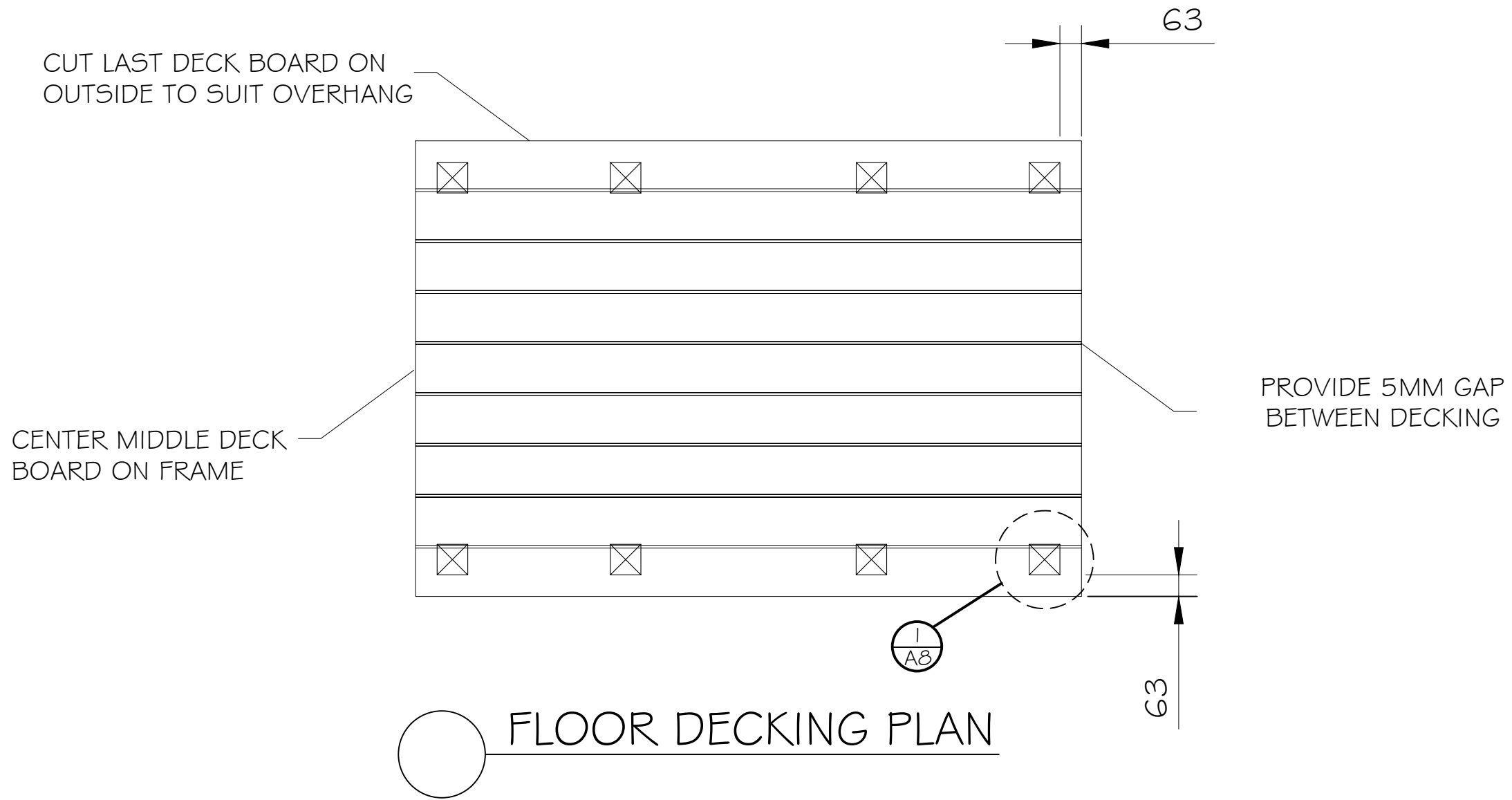
- 5/4 DECK BOARDS
- DECKING TO FASTENED WITH 2 1/2" ACQ DECK SCREWS EVENLY FOR AESTHETICS

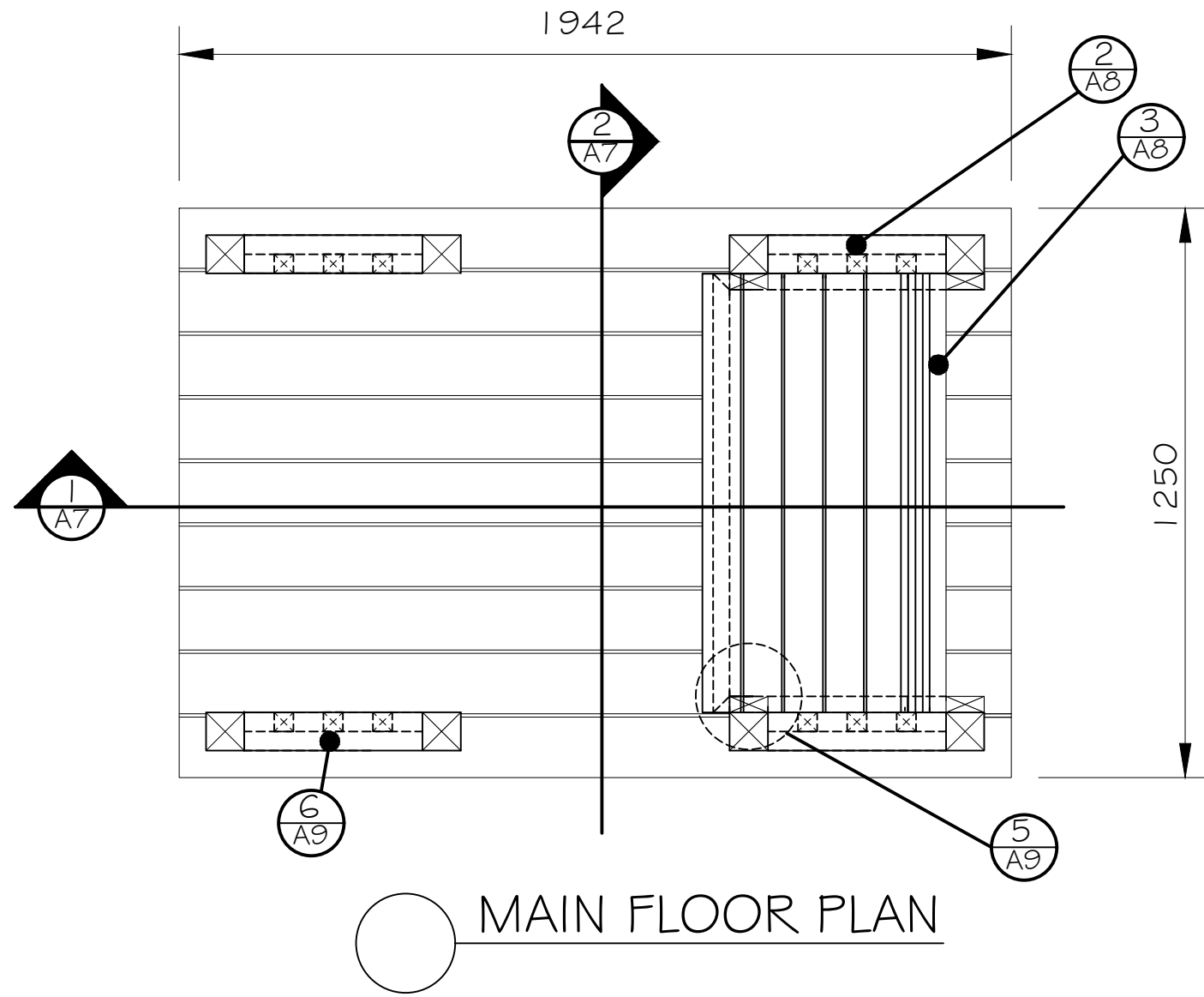
No.	Revision/Issue	Date



Provincial  
Secondary Project

Drawing DECKING	Sheet <b>3</b>
Date 11/15/2022	
Scale SCALE	





General Notes

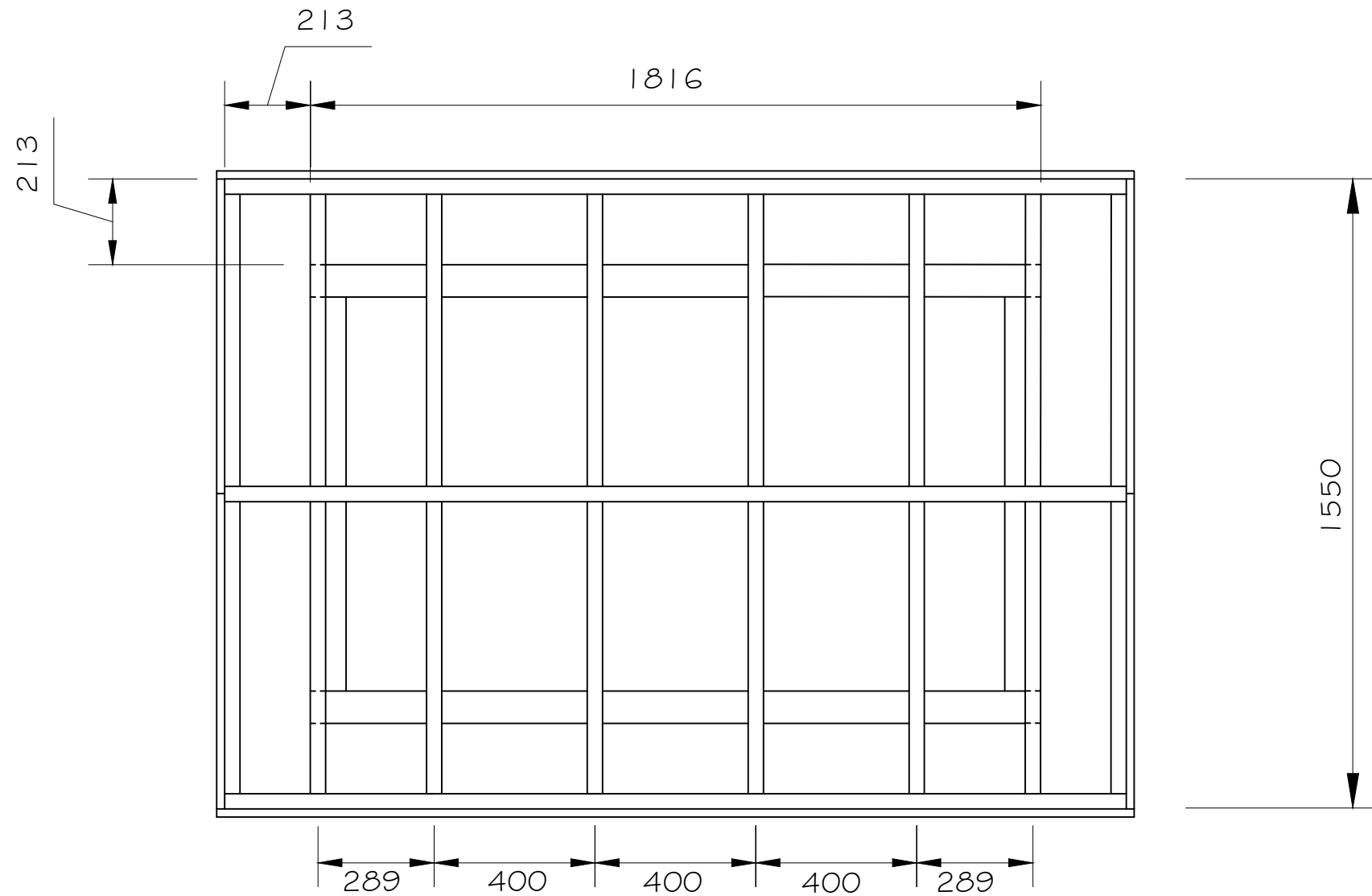
- BALUSTRADE TO BE FASTENED TOGETHER WITH 3" DECK SCREWS AND TO BE TOE SCREWED TO POST WITH DECK SCREWS
- 38 X 89 BENCH FRAMING FASTENED WITH 3" SCREWS EVENLY SPACED FOR AESTHETICS

No.	Revision/Issue	Date



Provincial  
Secondary Project

Drawing MAINFLOOR	Sheet 4
Date 11/15/2022	
Scale SCALE	



ROOF FRAMING PLAN

General Notes

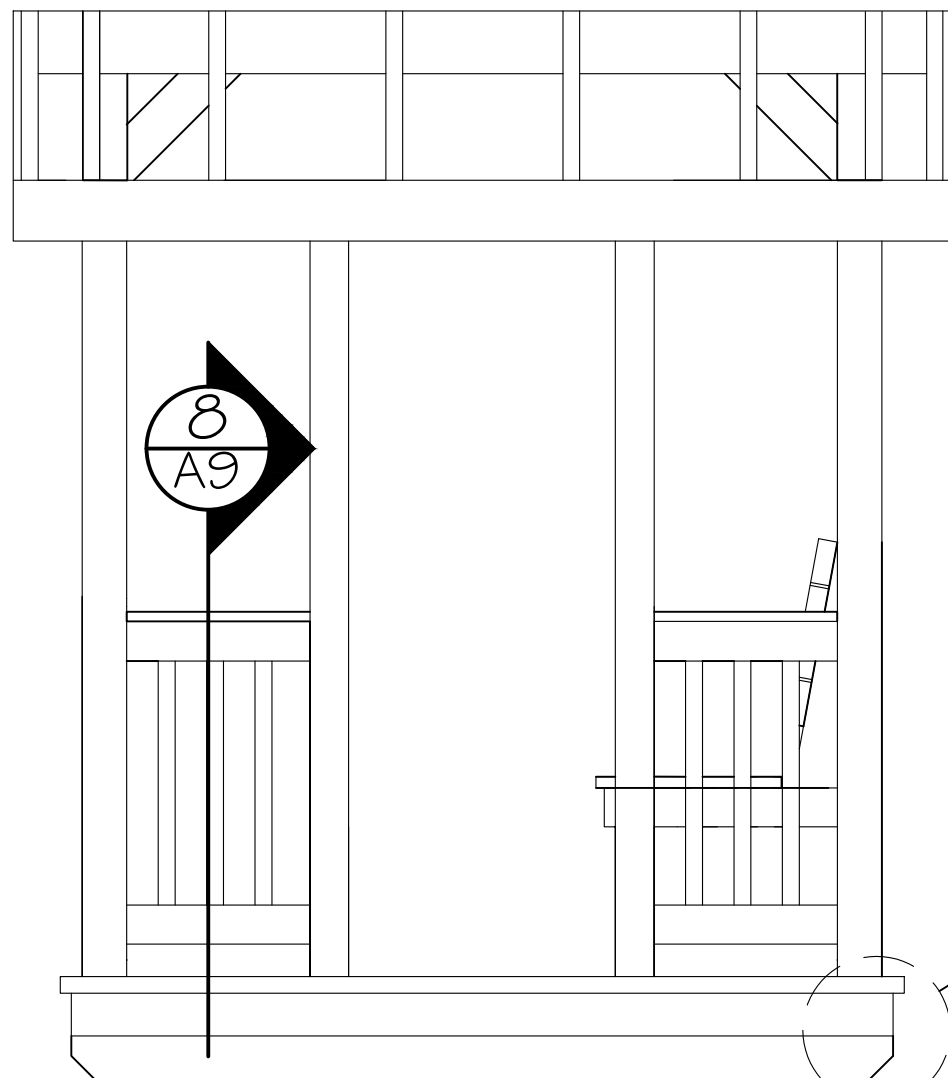
- 38 X 89 RAFTERS
- 38 X 89 ROUGH FASCIA
- 19 X 140 FINISH FASCIA
- 38 X 140 RIDGE
- RAFTERS TO HAVE A 30MM PLUMB CUT MEASUREMENT AT THE BIRDSMOUTH
- LOWER AND UPPER TOP PLATES NAILED DOWN WITH 3  $\frac{1}{4}$ " PC NAILS AT EACH POST LOCATION
- RAFTERS TO BE FASTENED WITH 3 - 3  $\frac{1}{4}$ " PC NAILS AT RIDGE AND BIRDSMOUTH
- ROUGH FASCIA TO BE FASTENED WITH 2 - 3  $\frac{1}{4}$ " PC NAILS TO EACH RAFTER TAIL
- FINISH FASCIA INSTALLED WITH 2" SIDING NAILS

No.	Revision/Issue	Date

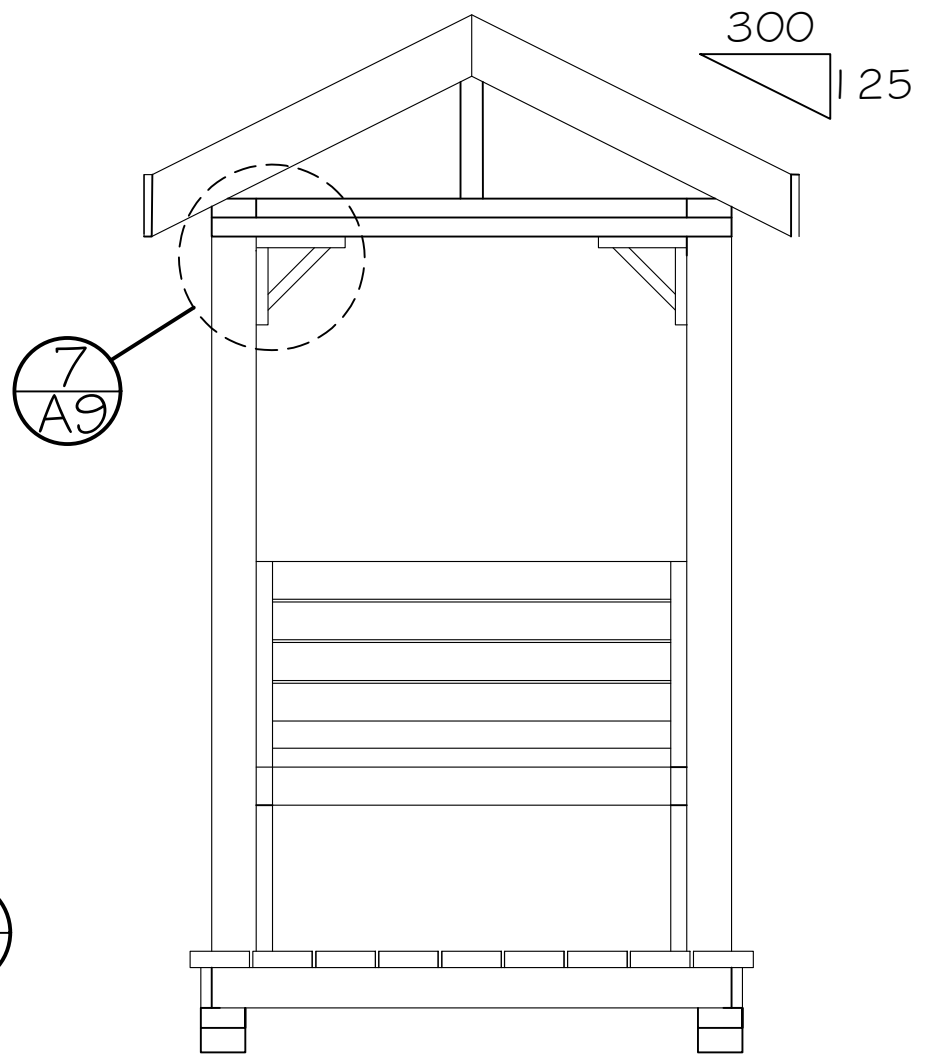


Provincial  
Secondary Project

Drawing	ROOF	Sheet	5
Date	11/15/2022		
Scale	SCALE		



○ SIDE ELEVATION



○ REAR ELEVATION

4  
A8

7  
A9

300  
25

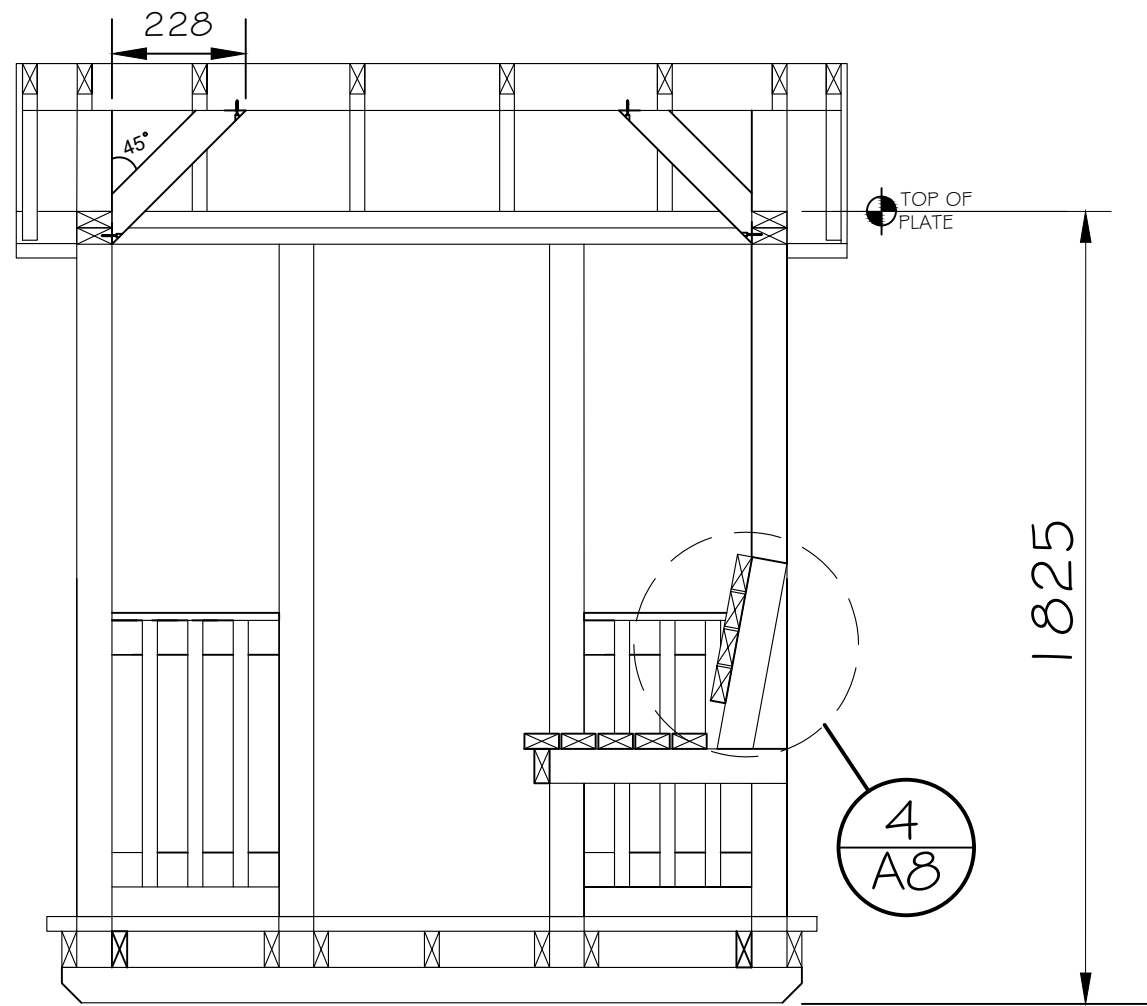
General Notes

No.	Revision/Issue	Date

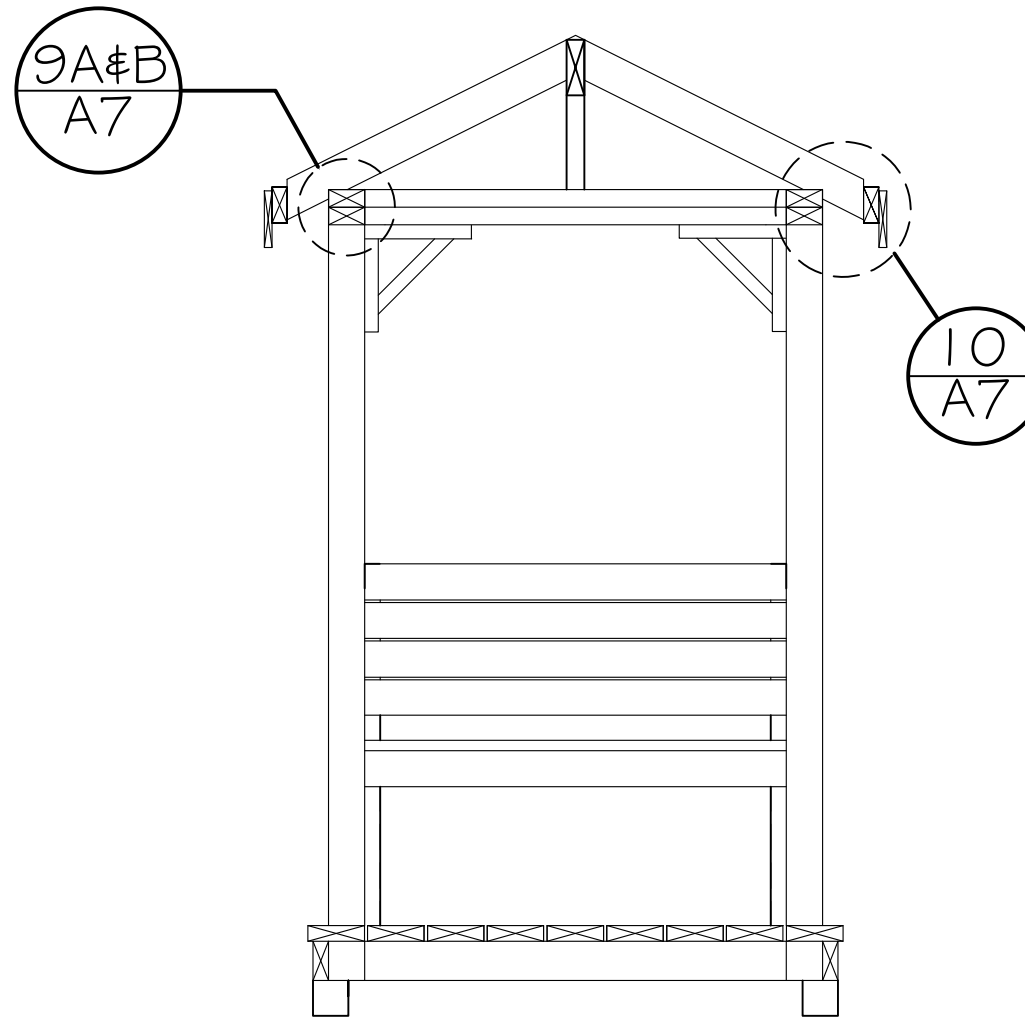


Provincial  
Secondary Project

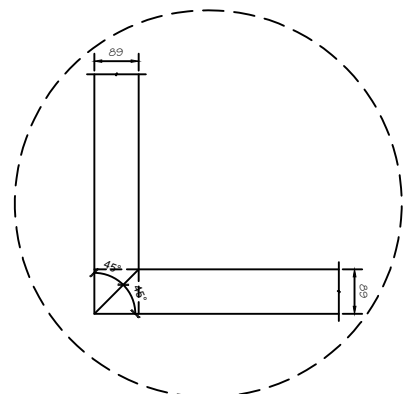
Drawing ELEVATIONS	Sheet 6
Date 11/15/2022	
Scale SCALE	



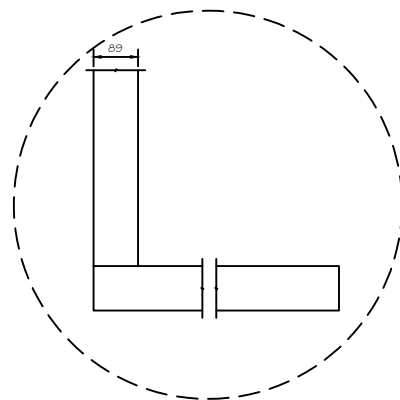
1 SECTION  
A4



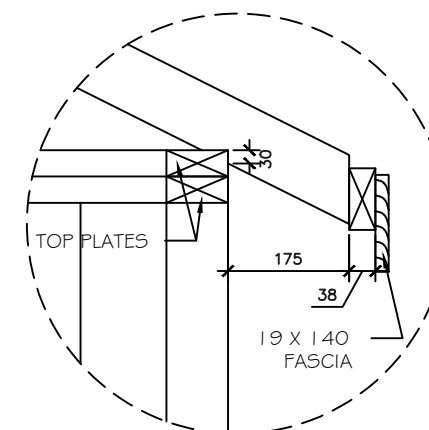
2 SECTION  
A4



9A PLAN OF LOWER TOP PLATE  
A7 CONNECTION AT POSTS



9B PLAN OF UPPER TOP PLATE  
A7 CONNECTION AT POSTS



10 TYP. EAVE DETAIL  
A7

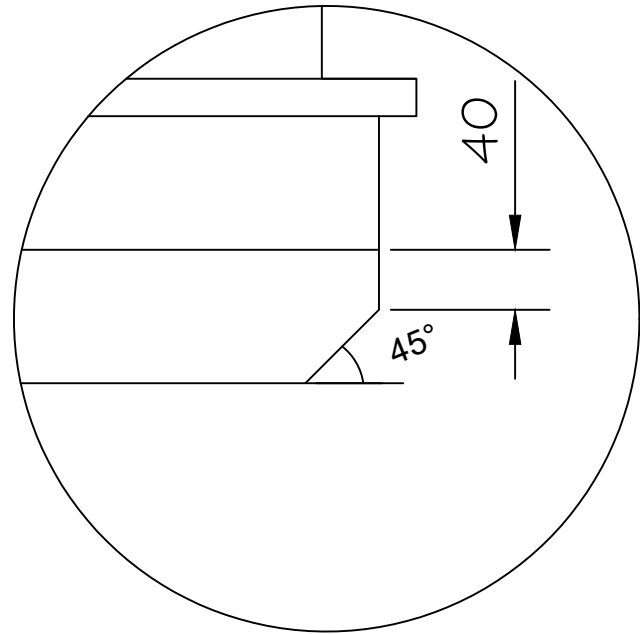
General Notes

No.	Revision/Issue	Date

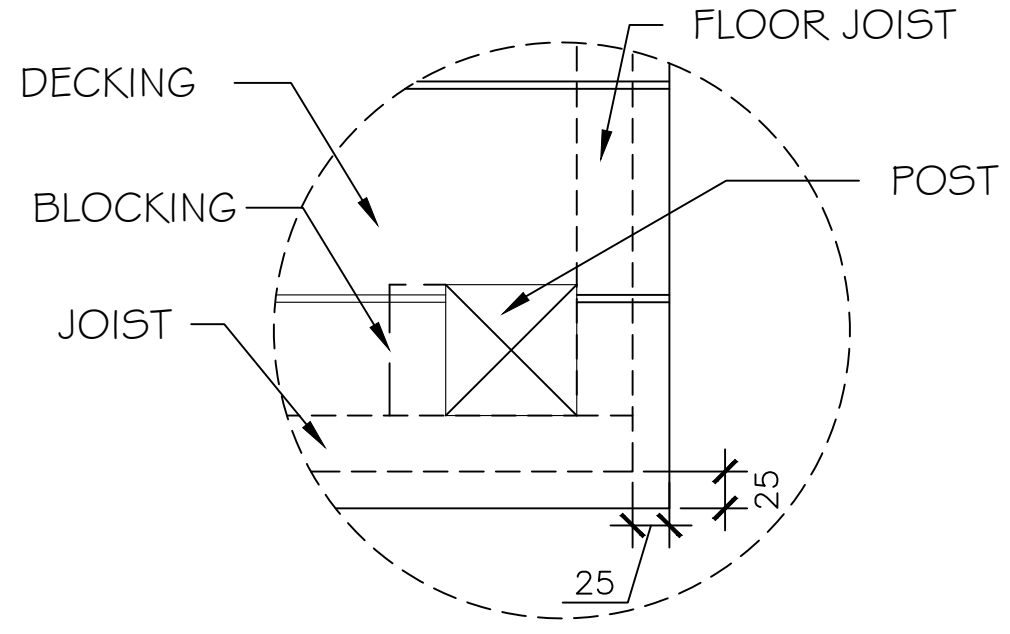


Provincial  
Secondary Project

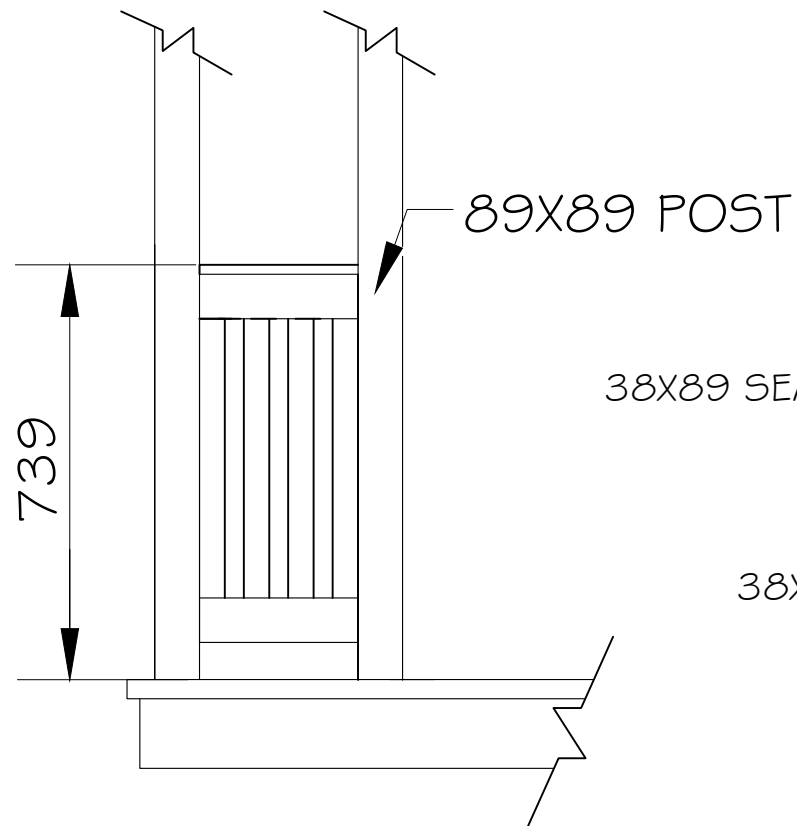
Drawing	SECTIONS	Sheet	7
Date	11/15/2022		
Scale	SCALE		



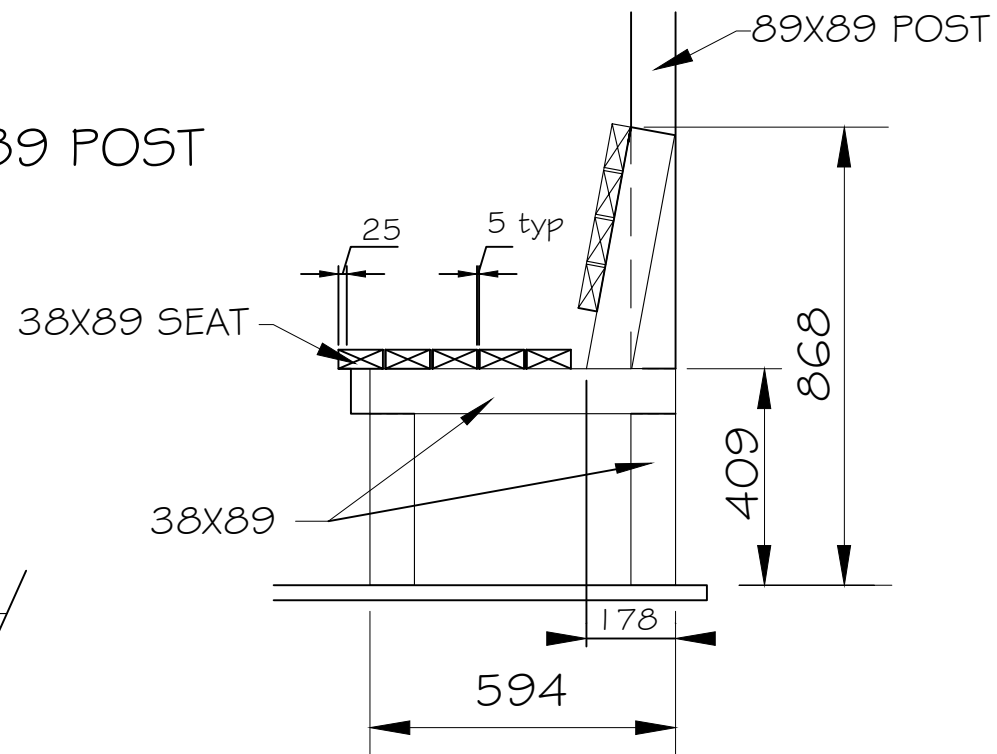
1 SLEEPER DETAIL  
A3



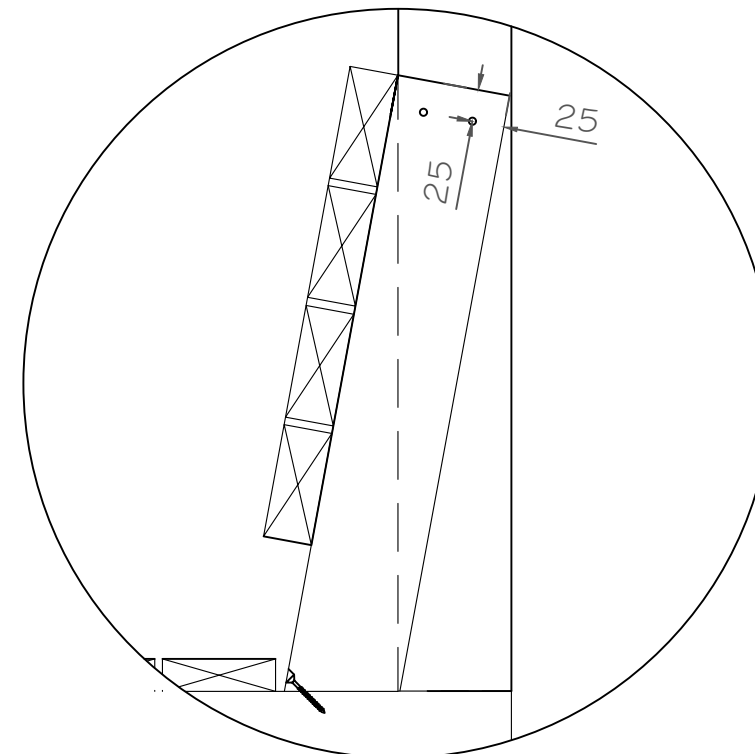
1 DECKING AT FLOOR JOISTS  
A3



2 RAILING DETAIL  
A4



3 BENCH DETAIL  
A4



4 BACK DETAIL  
A7

General Notes

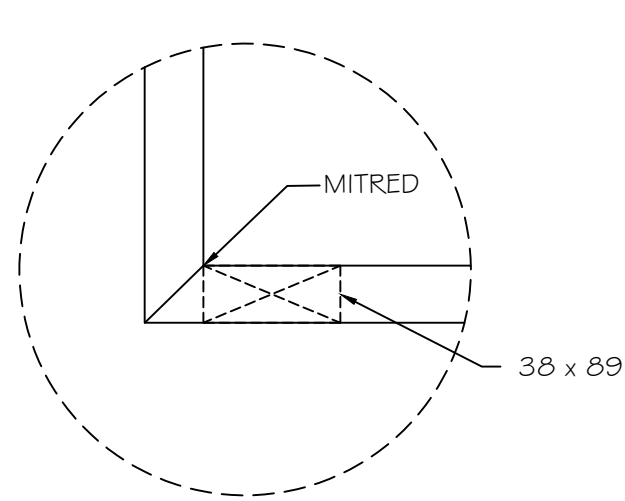
No.	Revision/Issue	Date



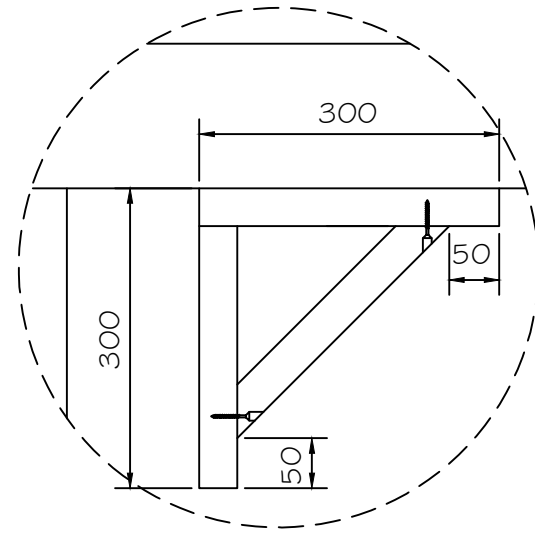
Provincial  
Secondary Project

Drawing DETAILS	Sheet 8
Date 11/15/2022	
Scale SCALE	

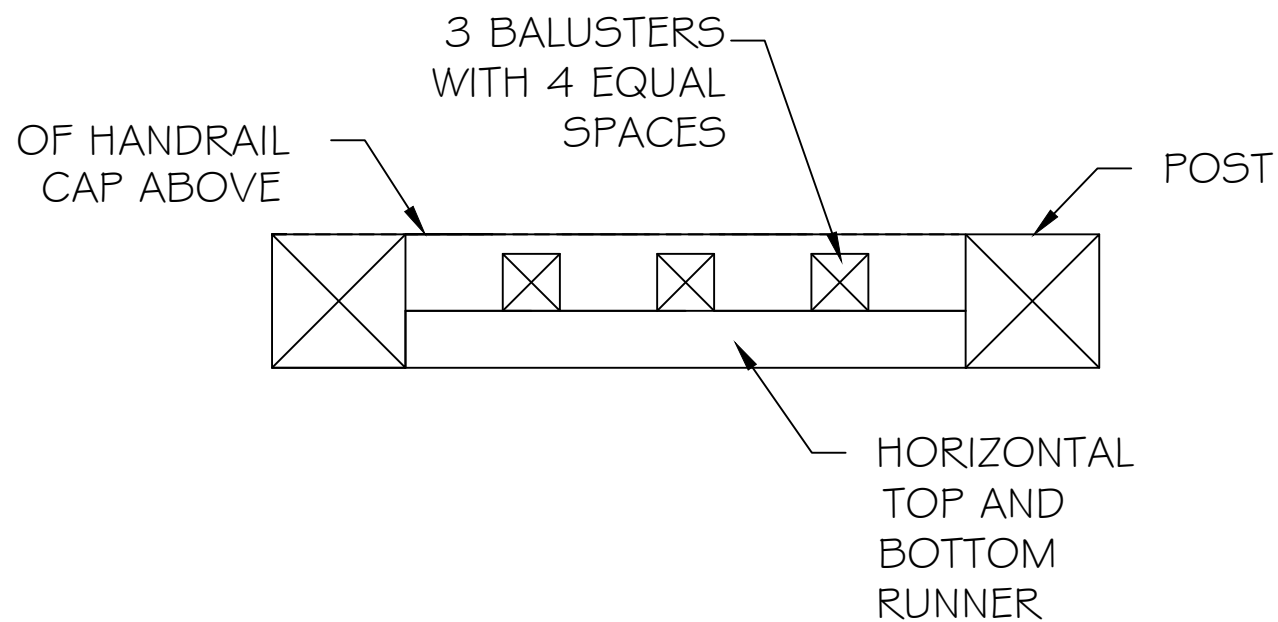




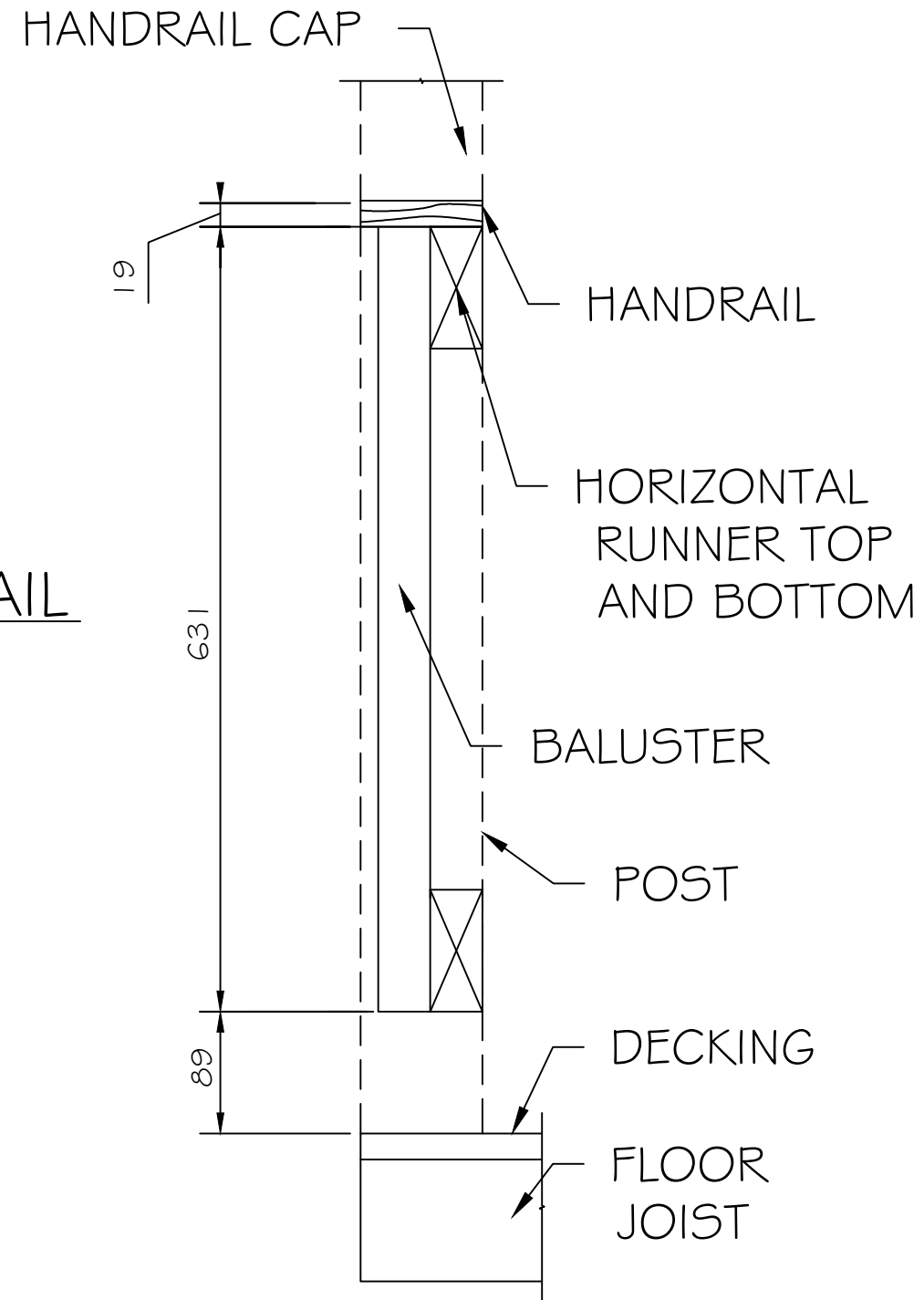
5 BENCH FRAMING  
A4 DETAIL



7 TYP. BRACE DETAIL  
A6



6 RAILING PLAN  
A4 DETAIL



8 BALUSTER SECTION  
A6

- General Notes
- 38 X 89 BRACES
  - BRACE TO FASTENED TOGETHER AND INSTALLED WITH SCREWS

No.	Revision/Issue	Date



Provincial  
Secondary Project

Drawing	DETAILS	Sheet	9
Date	11/15/2022		
Scale	SCALE		