

Last Updated February 1, 2023

Revised version to be uploaded closer to the competition

**General Notes**

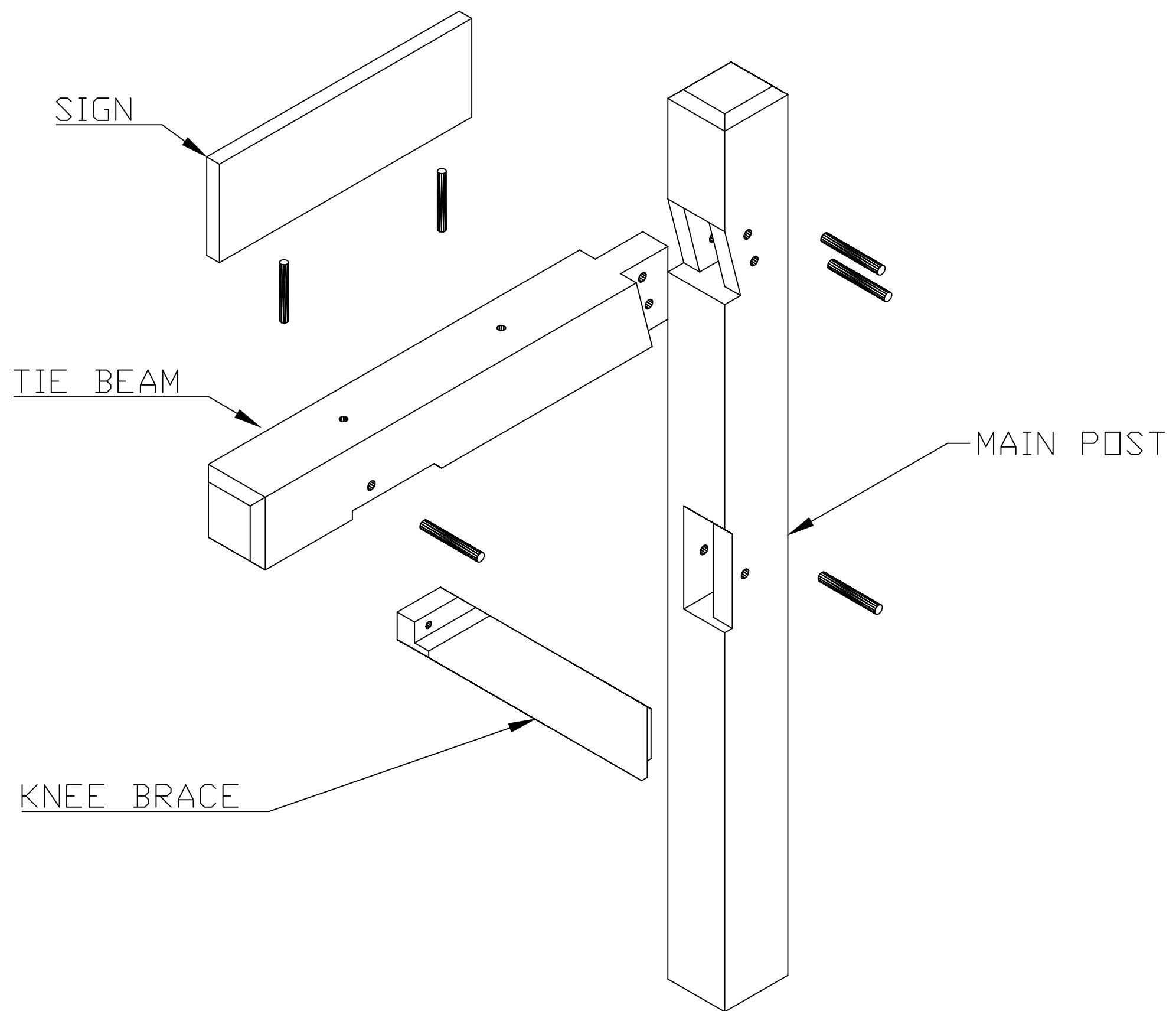
- 1. INDICATES MARKING POINT

No.	Revision/Issue	Date



**Project Name**  
**SIGN POST**

<b>Drawing</b> ISOMETRIC	<b>Sheet</b> 1 of 4
<b>Date</b> JAN. 2023	
<b>Scale</b> 1:5	



**General Notes**

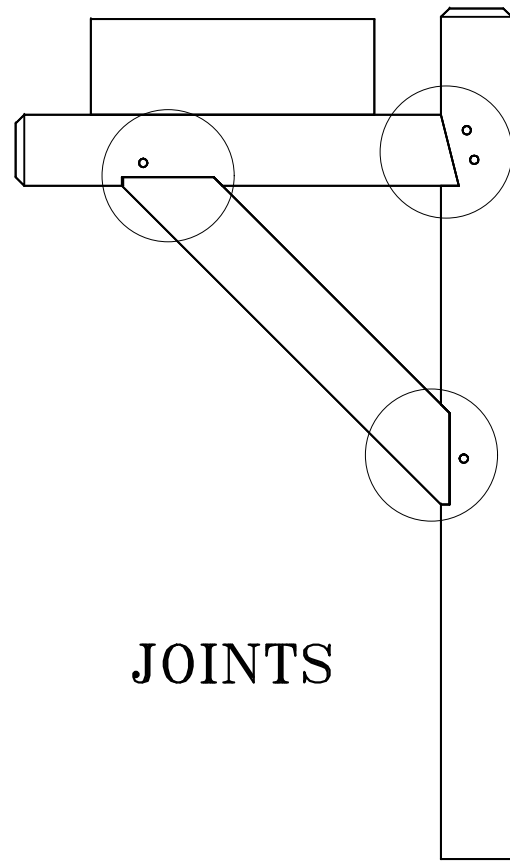
1. MAIN POST 70X75 WOOD  
TYPE TBA
2. TIE BEAM 70X75 WOOD  
TYPE TBA
3. KNEE BRACE 50X75 WOOD  
TYPE TBA
4. SIGN 20X100X300 WOOD  
TYPE TBD

No.	Revision/Issue	Date

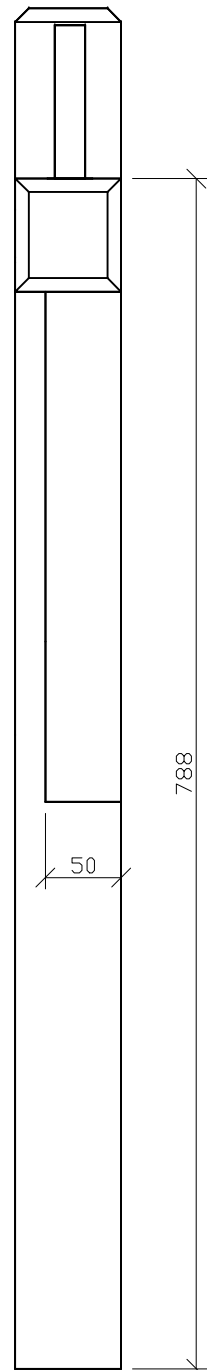


**Project Name**  
SIGN POST

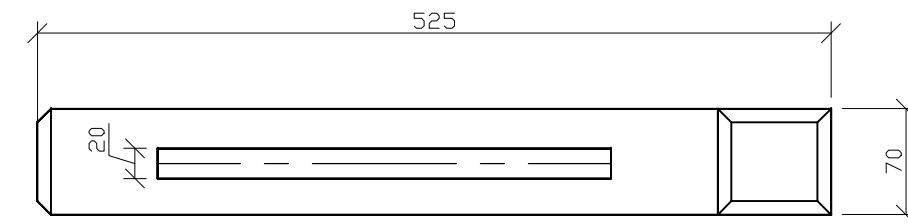
<b>Drawing</b> EXPLODED	2 of 4
<b>Date</b> JAN.2023	
<b>Scale</b> 1:5	



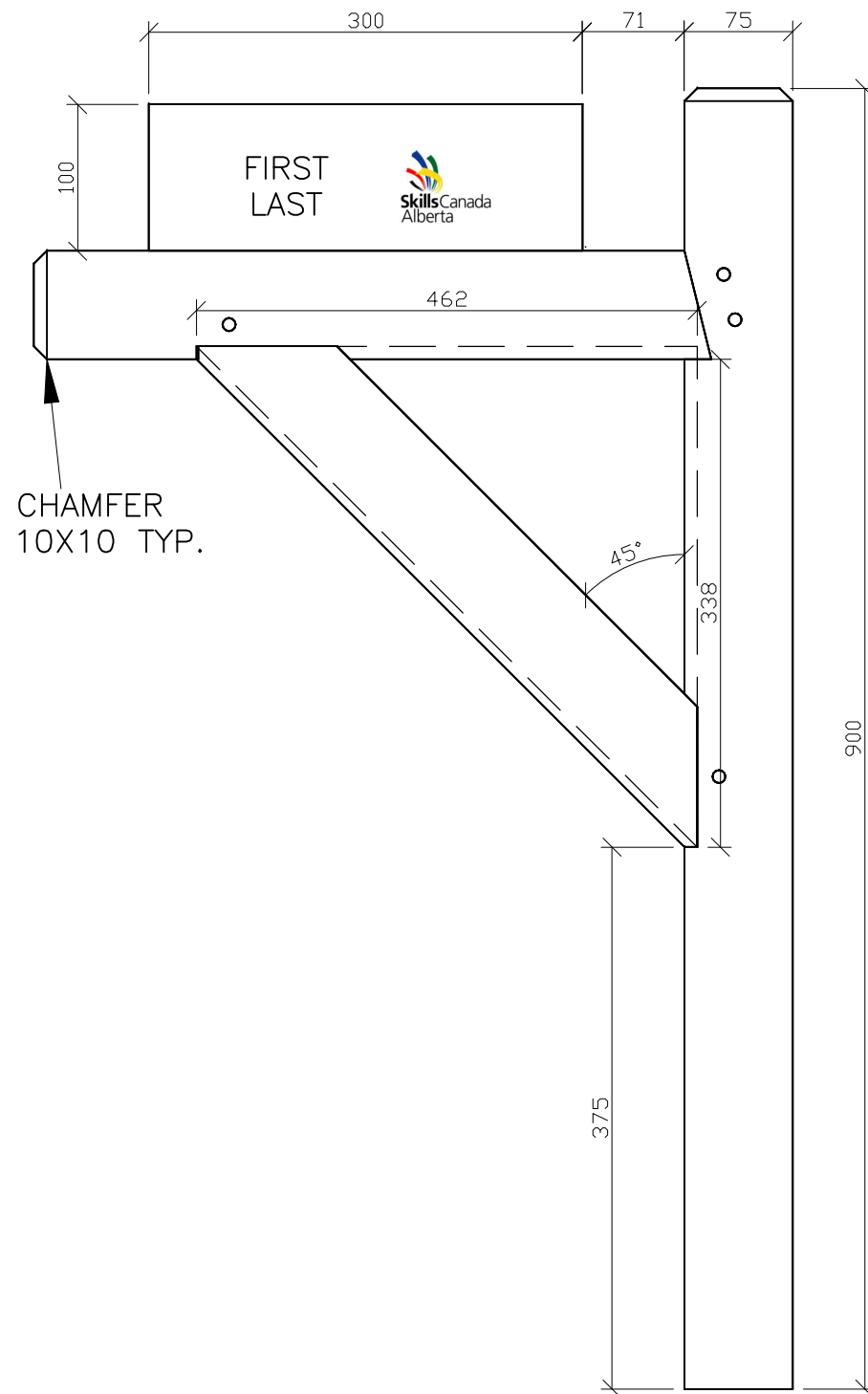
JOINTS



LEFT SIDE



TOP



FRONT

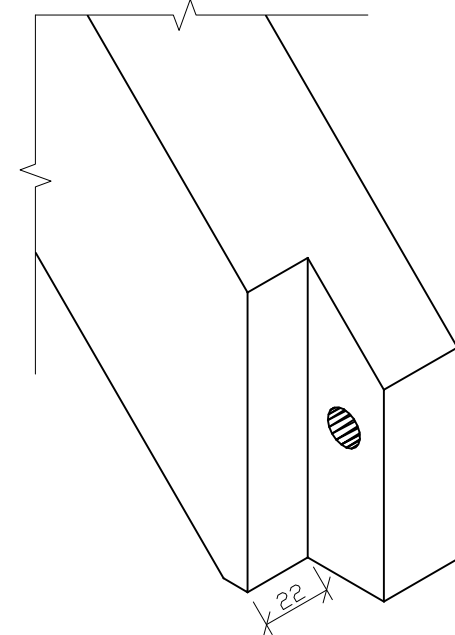
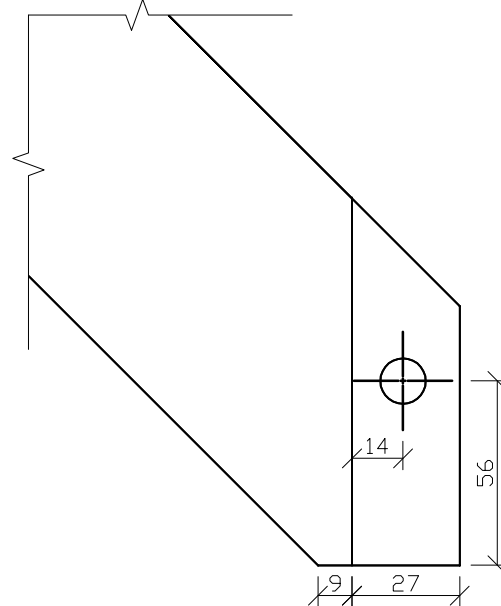
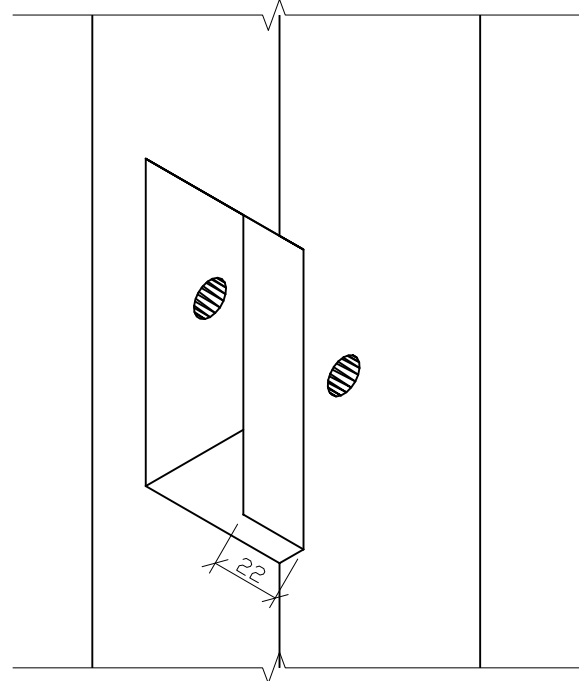
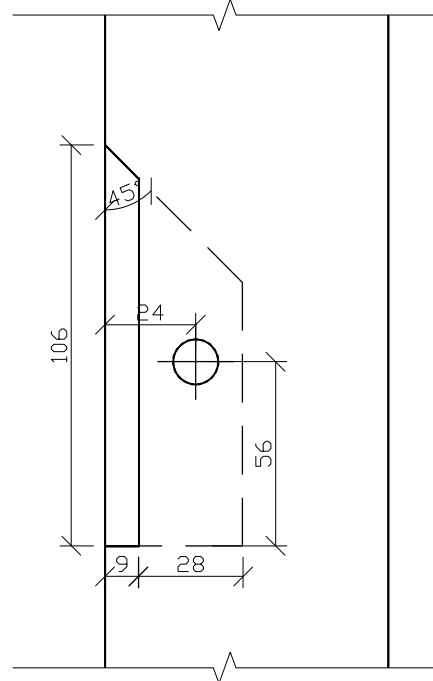
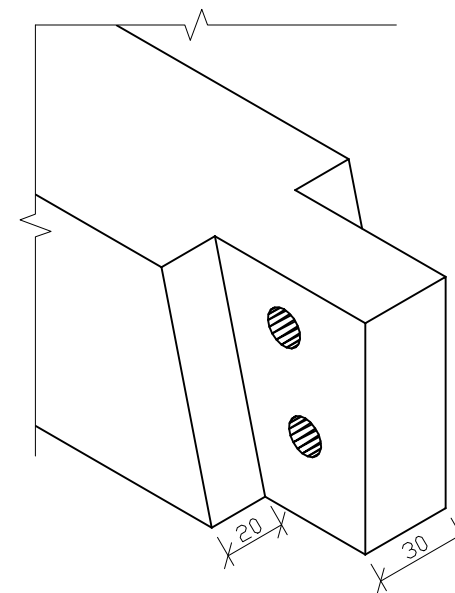
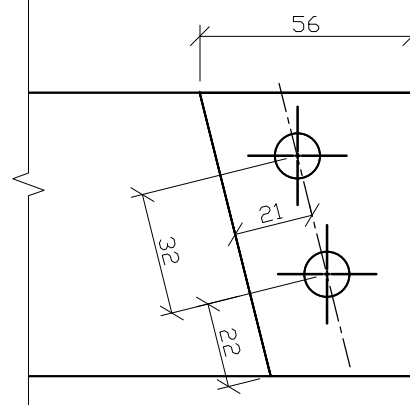
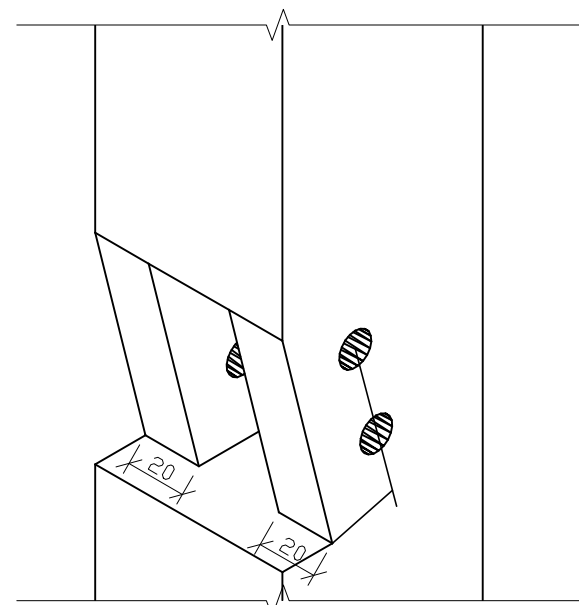
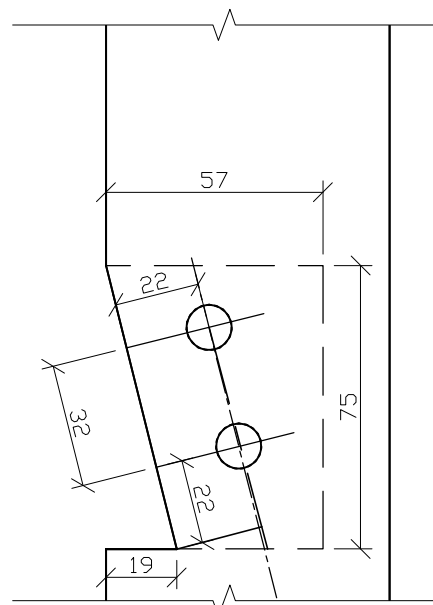
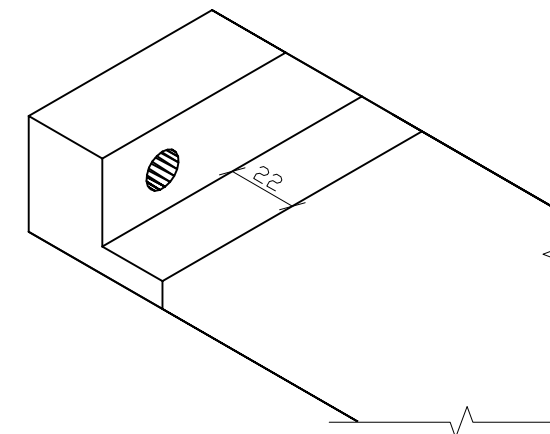
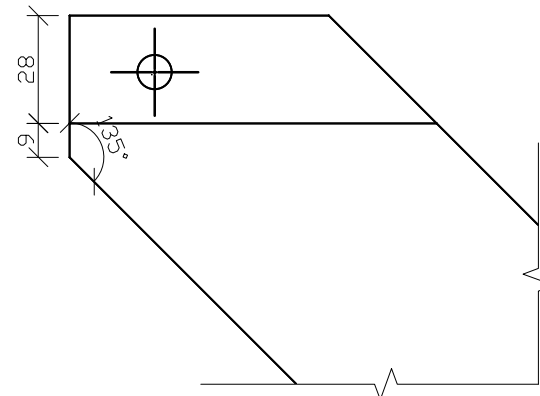
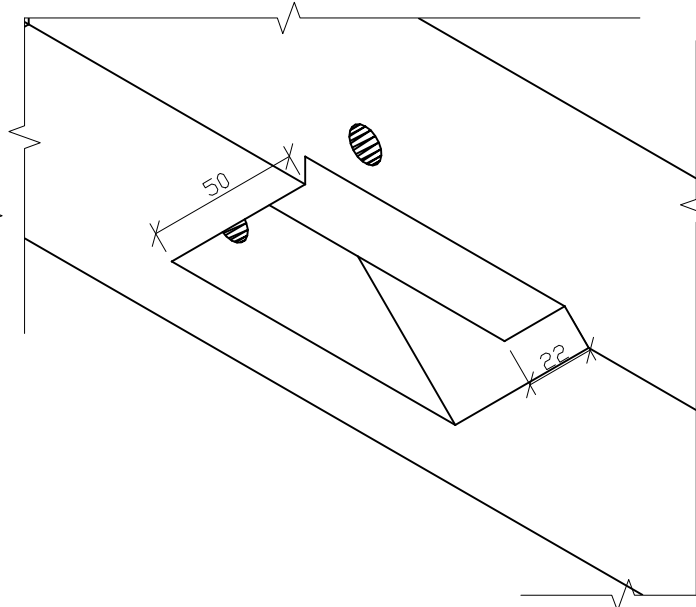
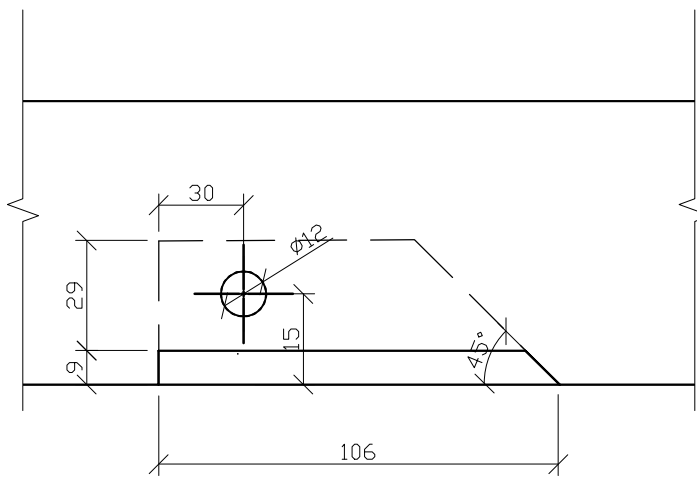
General Notes

No.	Revision/Issue	Date



Project Name  
**SIGN POST**

Drawing <b>ORTHOGRAPHIC</b>	Sheet <b>3 of 4</b>
Date JAN. 2020	
Scale 1:8	



**General Notes**

1. ALL MORTISES OF THE JOINT SHOULD BE 1 TO 2 MM DEEPER THEN THE MEASUREMENT OF THE TENONS
2. DOWEL HOLES WILL BE DRILLED AFTER ASSEMBLY
3. ALL DOWEL HOLES ARE 1/2" DIAMETER
4. INDICATES MARKING POINT

No.	Revision/Issue	Date



Project Name  
**SIGN POST**

Drawing <b>JOINTS</b>	Sheet <b>4</b>
Date <b>JAN. 2023</b>	of <b>4</b>
Scale <b>1:2</b>	