



2023 Regional Skills Canada Competition



2023 South East Regional Skills Canada Competition

Contest Description (Scope Document)

Medicine Hat College

Friday, April 21, 2023

EVENT: Carpentry		LEVEL: Secondary										
DURATION OF CONTEST: 5.5 HOURS		LOCATION: MEDICINE HAT COLLEGE T129										
COMPETITION SCHEDULE: <table border="1"> <tr> <td>REGISTRATION</td> <td>7:30 AM – 7:45 AM</td> </tr> <tr> <td>ORIENTATION</td> <td>7:45 AM – 8:00 AM</td> </tr> <tr> <td>COMPETITION</td> <td>8:00 AM – 11:15</td> </tr> <tr> <td>LUNCH</td> <td>11:15 – 11:45 AM</td> </tr> <tr> <td>COMPETITION</td> <td>11:45AM- 2:00PM</td> </tr> </table>		REGISTRATION	7:30 AM – 7:45 AM	ORIENTATION	7:45 AM – 8:00 AM	COMPETITION	8:00 AM – 11:15	LUNCH	11:15 – 11:45 AM	COMPETITION	11:45AM- 2:00PM	REGIONALIZED: YES If YES, To compete at the Provincial Skills Canada Competition students must qualify at their Regional Skills Canada Competition.
REGISTRATION	7:30 AM – 7:45 AM											
ORIENTATION	7:45 AM – 8:00 AM											
COMPETITION	8:00 AM – 11:15											
LUNCH	11:15 – 11:45 AM											
COMPETITION	11:45AM- 2:00PM											
AWARDS CEREMONY INFORMATION: An awards ceremony will be hosted in T129 following the judging.												

CONTEST INTRODUCTION

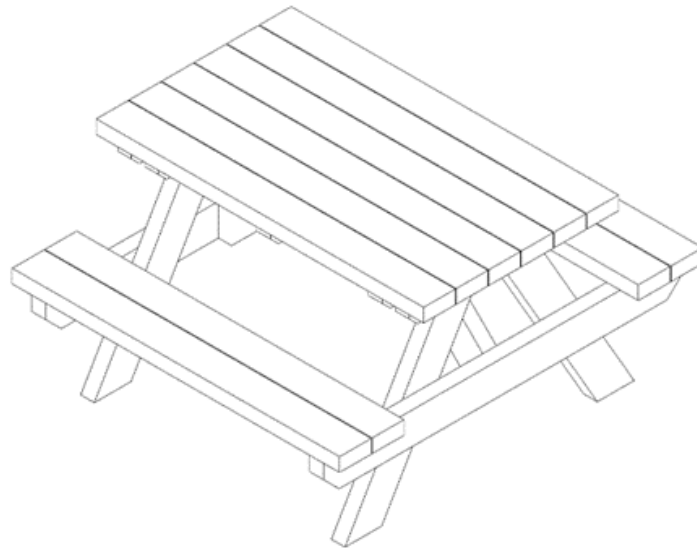
- To evaluate each contestant’s competency to organize and execute a given work assignment accurately and safely in the carpenter trade.
- To recognize outstanding excellence and professionalism.

SKILLS AND KNOWLEDGE TO BE TESTED

- Demonstrate skills and competency in interpreting prints, shop drawings, and specifications.
- Demonstrate the safe use of hand and power tools.
- Demonstrate acceptable site management, housekeeping, and best practices.
- Proficient knowledge and demonstration of skill in; framing, cutting and drilling materials, fastening techniques, joinery, determining angles & elevations, trim & finishing.
- Quality, accuracy and thoroughness of workmanship.
- Ability to complete an assignment within a specified time frame.

PROJECT DESCRIPTION

Please see the attached practice plans released along with the contest description in addition to this isometric image. On the day of the Regional Competition, competitors will be provided the actual Competition Plans which may have been changed up to 30% from the practice set.



PICNIC TABLE

EQUIPMENT & MATERIALS

Equipment and Materials Competitors Must Supply:

Measuring/Layout	Safety	Assembly Tools	Misc.
Pencils	Closed toe boots Eyewear and (Loaners will be available)	Hammer / Mallet	Non-Programmable Calculator
Metric Tape Measure	CSA approved hard hat (Loaners will be available)	Screwdriver (Rob #2)	Carpenters Apron
Framing Square			Suitable work clothing
Speed Square	Cutting Tools	Disassembly Tools	Sanding Block
Combination Square	10-12 Point Cross-cut Hand Saw	Examples:	Sandpaper (100 grit)
Sliding T-Bevel	Wood Chisels	Glazing Bar	
Stair Gauges	Utility Knife -not Olfa style	Nail Claw	
Chalk Line	Block and /or Smooth Plane	Wonder Bar	





2023 Regional Skills Canada Competition



***NO personal electronic data devices (cell phones, smartphones, tablets, etc.) will be allowed in the competition area.**

Equipment and Materials Supplied by the Committee:

Power Tools And Equipment		Safety	Materials
Drill	Saw Horses	Dust Masks	All materials and fasteners will be provided for the project
Impact Driver	Drill Bits	CSA approved hearing protection	
Jigsaw	Driver Bits	First Aid Station	
Circular Saw	Clamps over 12"	Water Station	<ul style="list-style-type: none"> Can bring own power tools listed in this chart

*** No additional home-made jigs or gauges, power tools or power tools accessories will be allowed during the competition.**

*** Any tool or equipment not contained in the scope will be inspected and approved/removed by committee member.**

SAFETY

The health, safety and welfare of all individuals involved with Skills Canada Alberta are of vital importance. Safety is a condition of participation with Skills Canada Alberta and shall not be sacrificed for the sake of expediency. At the discretion of the judges and technical committees, any competitor can be denied the right to participate should they not have the required proper safety equipment and/or act in an unsafe manner that can cause harm to themselves or others.

It is important that competitors present a professional image and appearance. Appropriate work clothing must be worn to compete. All clothing must be neat and clean and free of rips and tears. Casual wear such as shorts will not be permitted. No loose fitting clothes or jewelry.

Safety Requirements: MANDATORY

- Closed toe boots/CSA approved safety glasses (Provided by Committee) However, prescription glasses must conform to CSA regulations.
- CSA approved hearing protection (Provided by Committee)
- Suitable work clothing (Competitor)
- Competitors are required to follow all industry safety standards during the competition.

JUDGING CRITERIA

- SAFETY/CLEAN-UP 15%
- DIMENSIONS 30%



2023 Regional Skills Canada Competition



• CONSTRUCTION	35%
• SALABILITY	10%
• MATERIAL USAGE	10%
<hr/>	
OVERALL TOTAL	100%

TIE BREAKING PROCESS

If two or more participants are tied in points at the end of the competition, the following tie breaking procedure will be used:

- Step 1.** Participant with the highest Safety score.
- Step 2.** Participant who has completed the project in the least amount of time.
- Step 3.** Re-evaluate the projects with different judges.

RELATED CAREER AND TECHNOLOGY STUDIES COURSES

Descriptions of all modules are located at the following website:

https://education.alberta.ca/media/160534/con_course_summaries_old.pdf

CRA 3407 HAND TOOLS THEORY
CRA 3417 PORTABLE POWER TOOLS
CRA 3452 SKETCHING & DRAWINGS
CRA 3457 DRAWING PRINCIPLES
CON 1010 CONSTRUCTION TOOLS AND MATERIALS
CON 1070 BUILDING CONSTRUCTION
CON 1120 PRODUCT MANAGEMENT
CON 1130 SOLID STOCK CONSTRUCTION
CON 2035 FRAMING SYSTEMS - FLOOR
CON 2045 FRAMING SYSTEMS – WALL
CON 2050 ROOF STRUCTURES 1

ADDITIONAL INFORMATION

Lunch will be provided for all competitors. Unfortunately, all allergies may not be able to be accommodated for. Please connect with the local Regional Coordinator for more information.

Parking information & venue maps:

Regulations & Policies: A copy of the Skills Canada Alberta Regional Regulations & Policies can be found at the following link: <https://skillsalberta.com/policies-and-procedures>



2023 Regional Skills Canada Competition



LOCAL REGIONAL COMPETITION COMMITTEE MEMBERS

Paul Schaan	Mark Stock
Jessica Hirsekorn	Erin Ferris

