

**General Notes**

FOR EDUCATIONAL PURPOSE ONLY

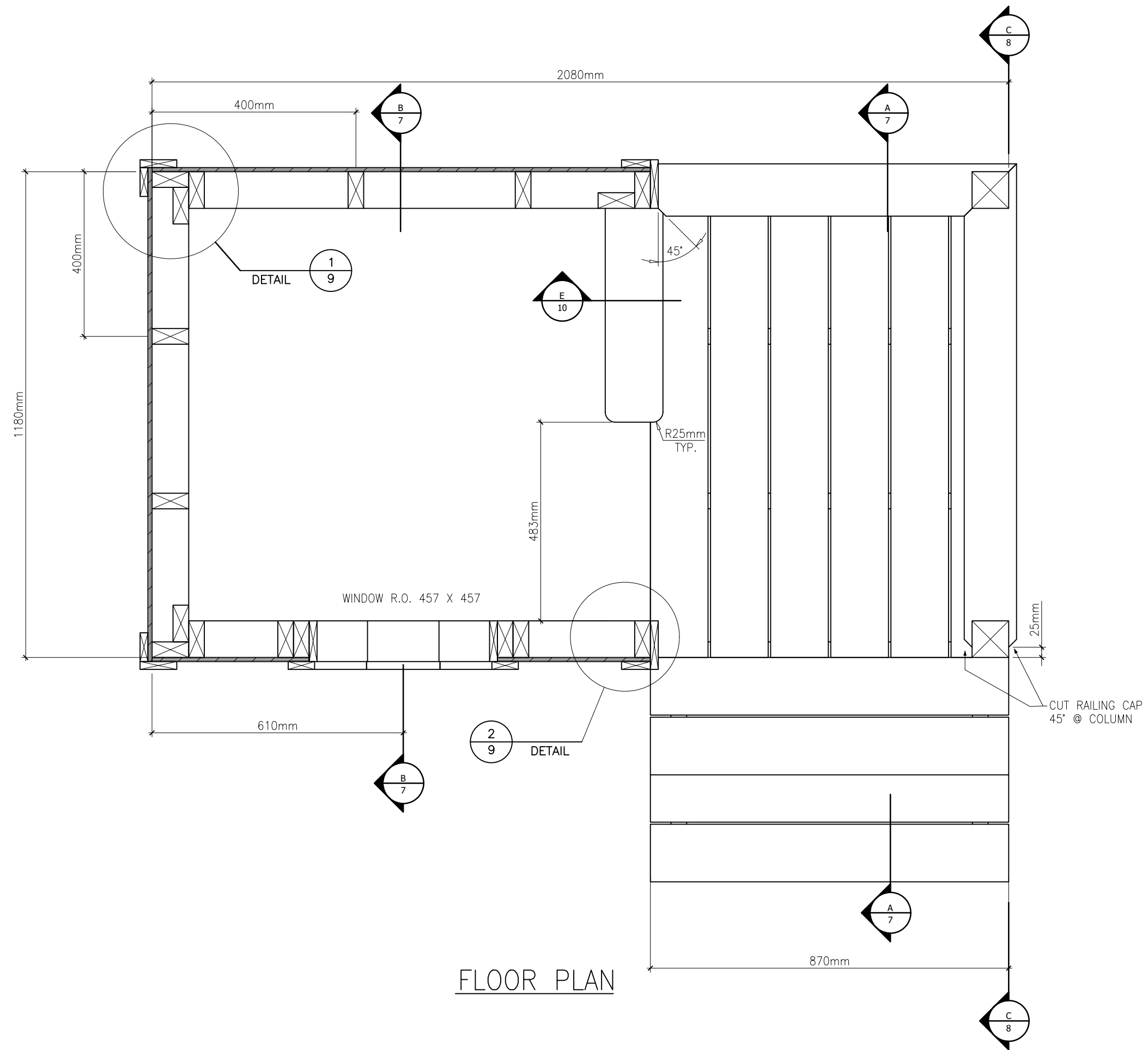
- 1) ALL FASTENING TO BE IN ACCORDANCE WITH THE NBC.
- 2) DECKING AND STAIR TREADS ATTACHED WITH SCREWS.

No.	Revision/Issue	Date



PLAYHOUSE  
2023 PRACTICE

<b>Drawing</b>	ISOMETRIC	<b>Sheet</b> 1
<b>Date</b>	FEB '23	
<b>Scale</b>	1:15	



FLOOR PLAN

General Notes

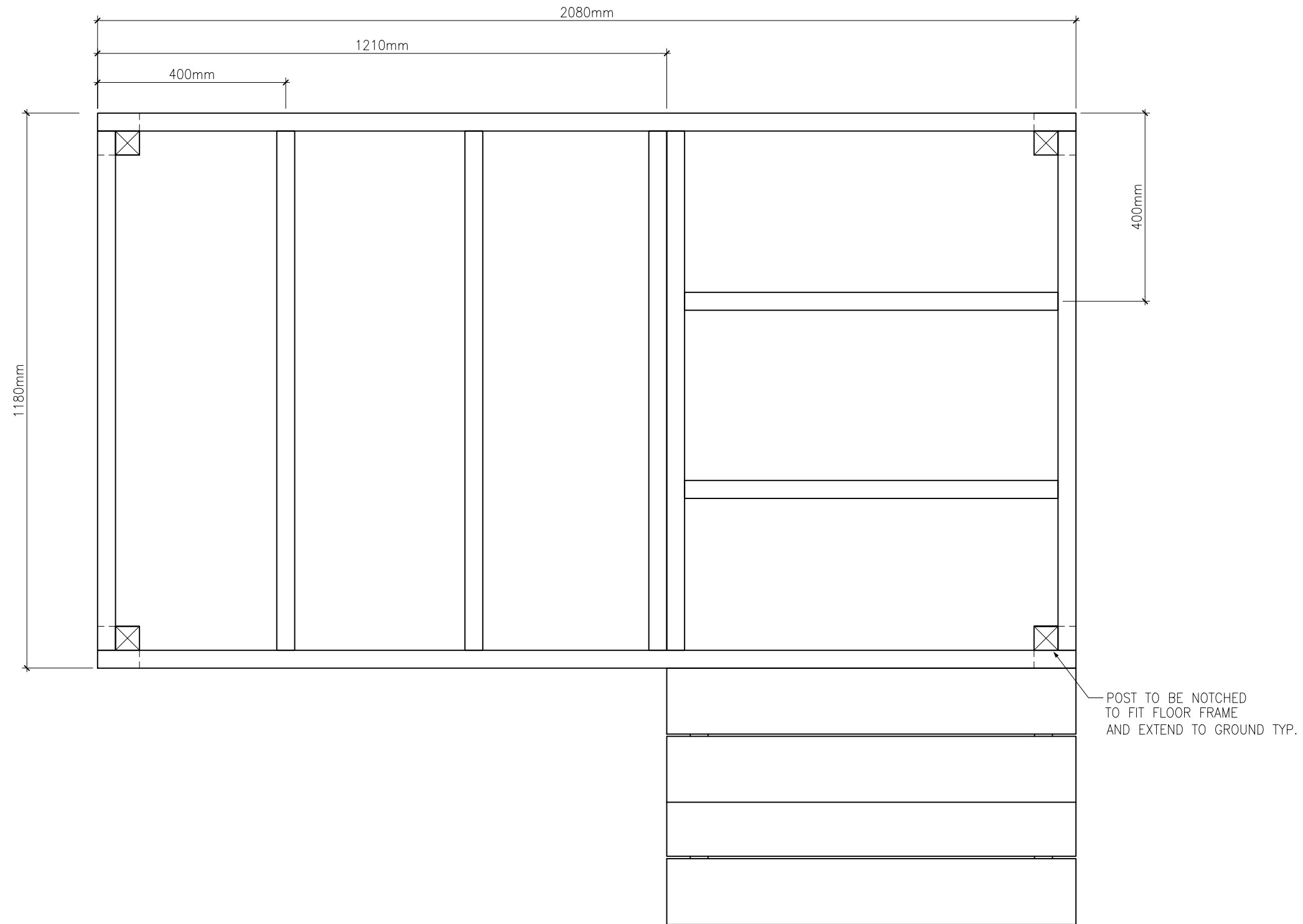
- FOR EDUCATIONAL PURPOSE ONLY
- 1) ALL FASTENING TO BE IN ACCORDANCE WITH THE NBC.
  - 2) DECKING AND STAIR TREADS ATTACHED WITH SCREWS.

No.	Revision/Issue	Date



PLAYHOUSE  
2023 PRACTICE

Drawing	FLOOR PLAN	Sheet	2
Date	FEB '23		
Scale	1:10		



FLOOR FRAMING PLAN

**General Notes**

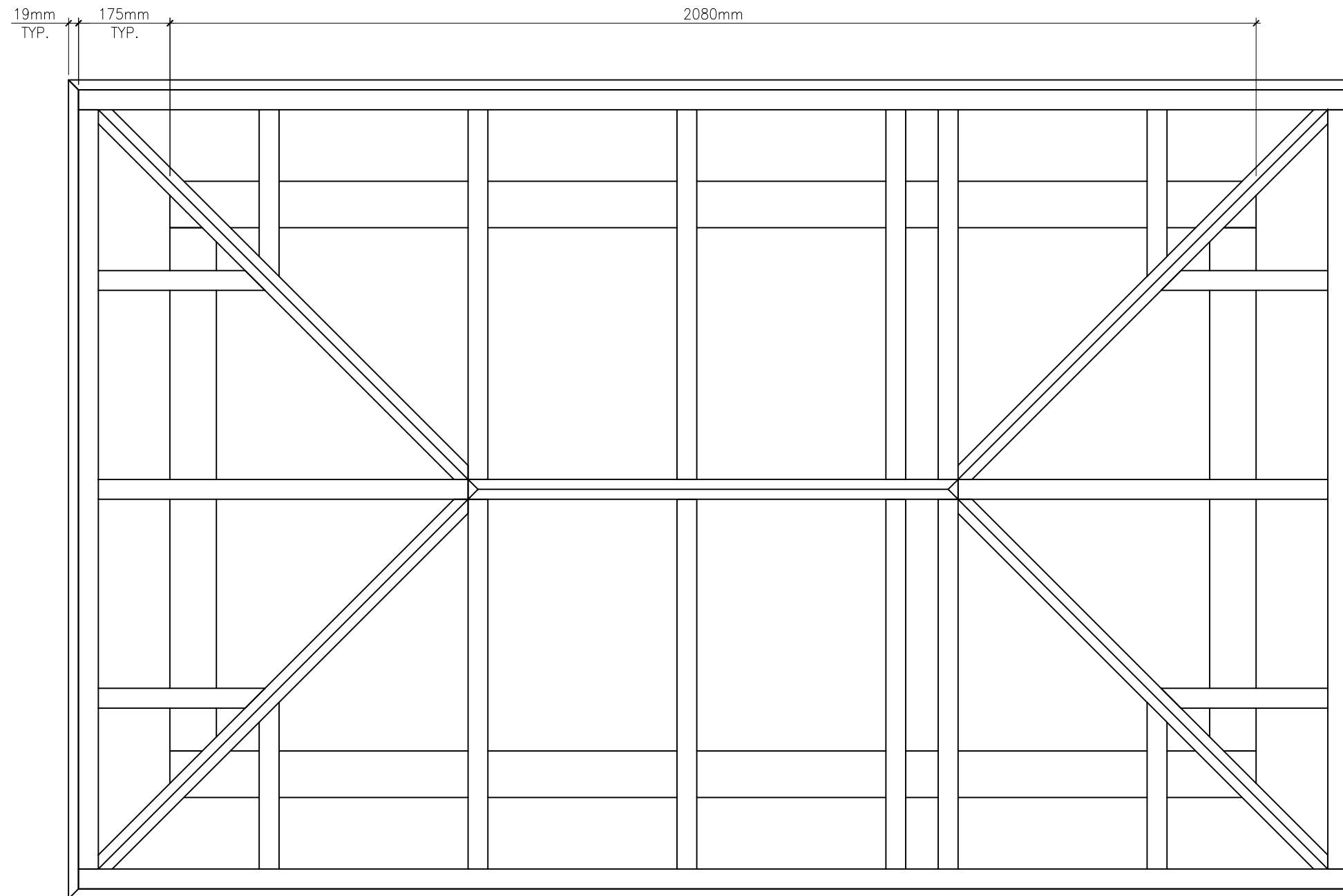
FOR EDUCATIONAL PURPOSE ONLY

No.	Revision/Issue	Date



PLAYHOUSE  
2023 PRACTICE

<b>Drawing</b> FLOOR FRAMING PLAN	<b>Sheet</b> 3
<b>Date</b> FEB '23	
<b>Scale</b> 1:10	



ROOF FRAMING PLAN

**General Notes**

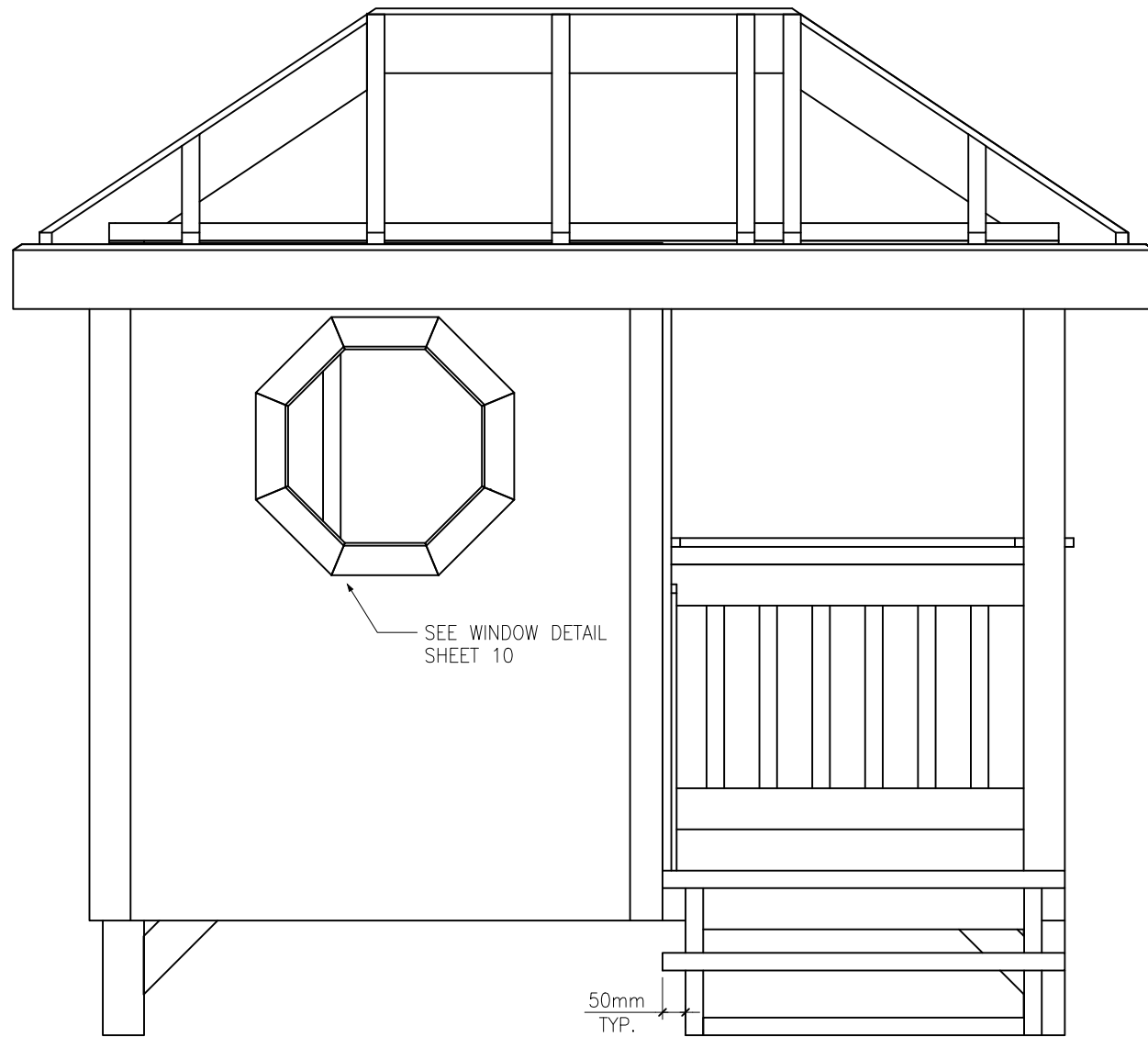
FOR EDUCATIONAL PURPOSE ONLY

No.	Revision/Issue	Date

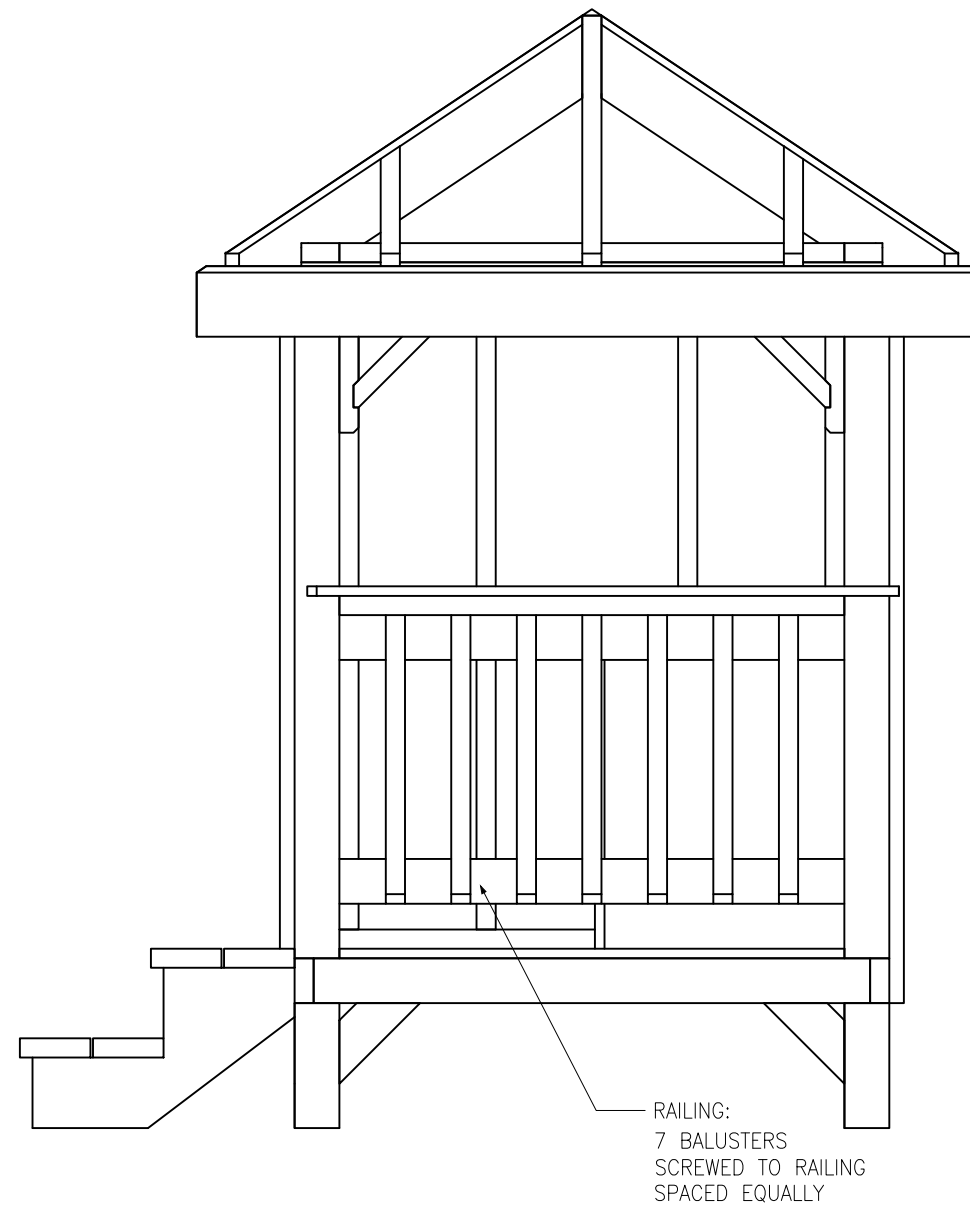


PLAYHOUSE  
2023 PRACTICE

<b>Drawing</b> ROOF FRAMING PLAN	<b>Sheet</b> 4
<b>Date</b> FEB '23	
<b>Scale</b> 1:10	



LEFT ELEVATION



FRONT ELEVATION

**General Notes**

FOR EDUCATIONAL PURPOSE ONLY

No.	Revision/Issue	Date



PLAYHOUSE  
2023 PRACTICE

<b>Drawing</b> ELEVATIONS	<b>Sheet</b>  5
<b>Date</b> FEB '23	
<b>Scale</b> 1:15	

General Notes

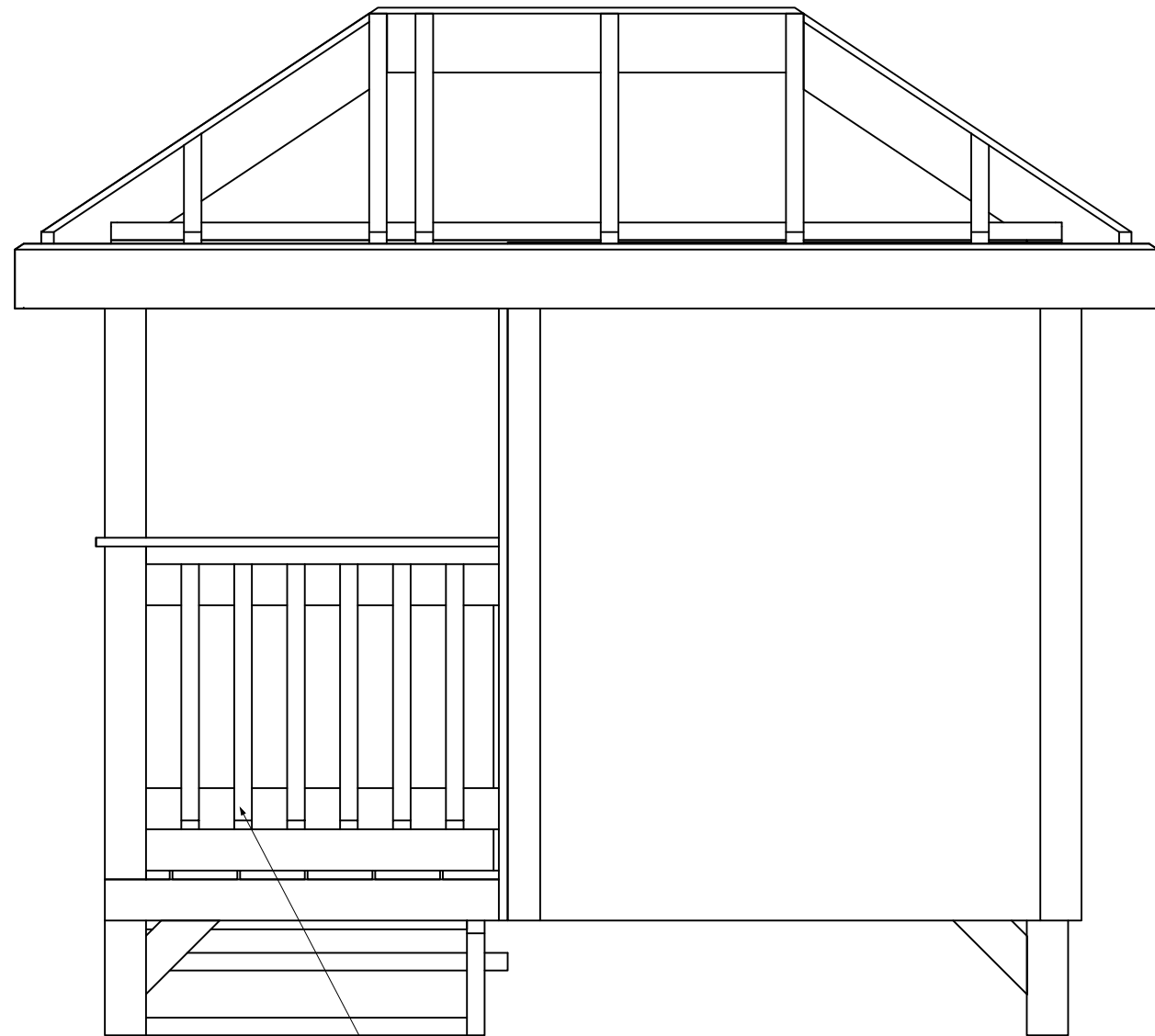
FOR EDUCATIONAL PURPOSE  
ONLY

No.	Revision/Issue	Date



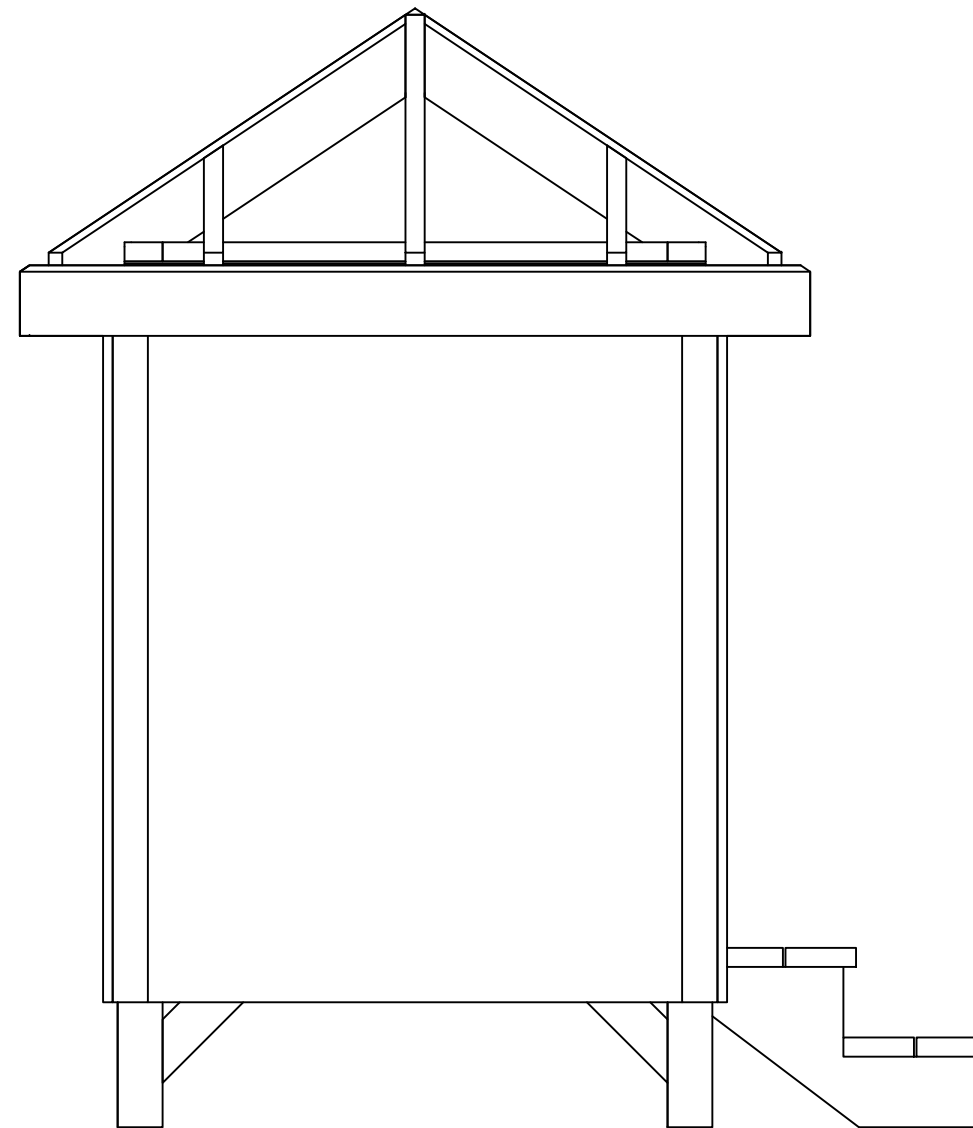
PLAYHOUSE  
2023 PRACTICE

Drawing	ELEVATIONS	Sheet
Date	FEB '23	6
Scale	1:15	

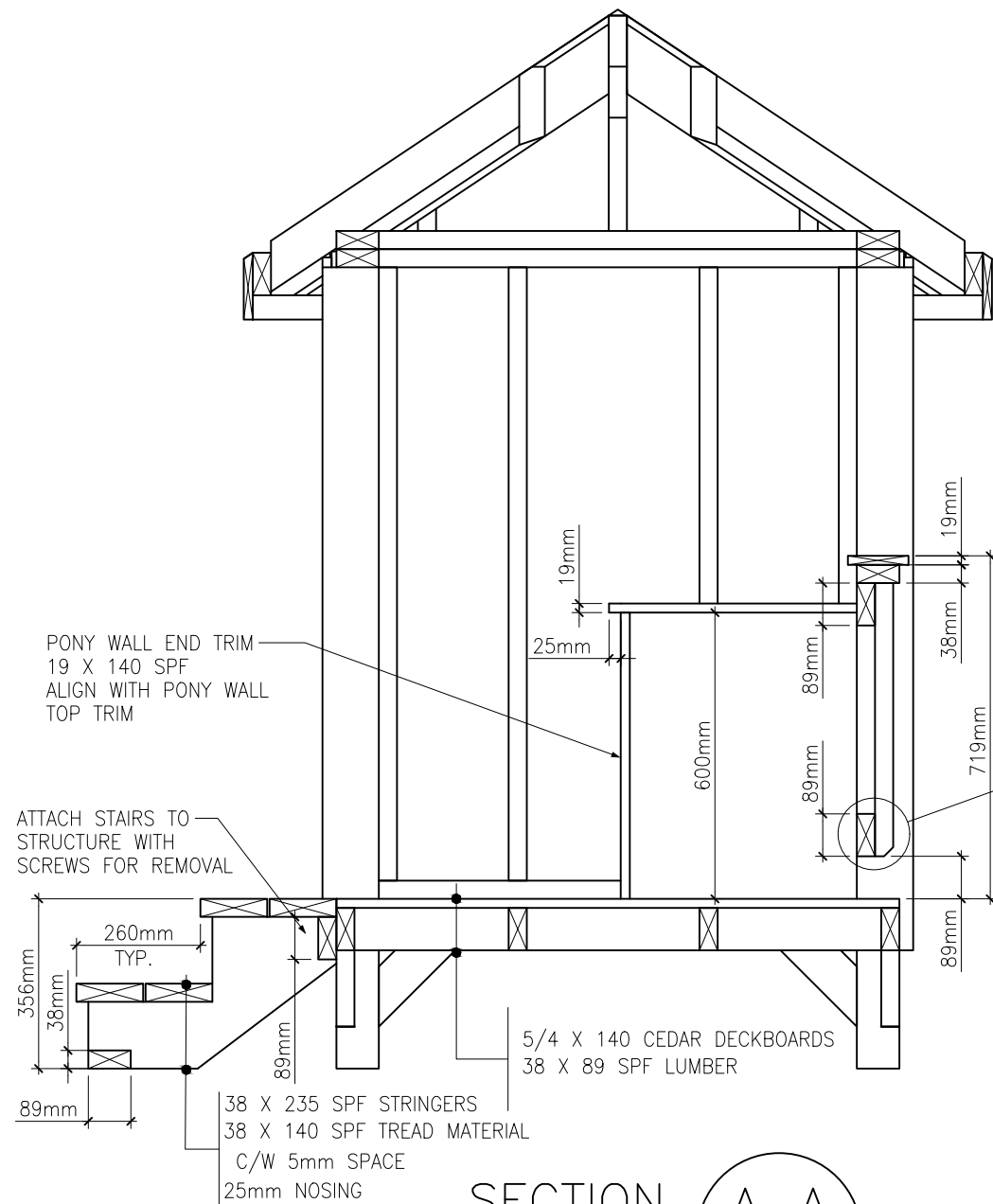


RAILING:  
6 BALUSTERS  
SCREWED TO RAILING  
SPACED EQUALLY

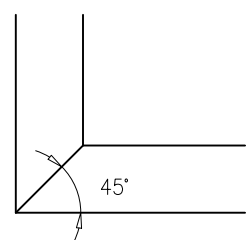
RIGHT ELEVATION



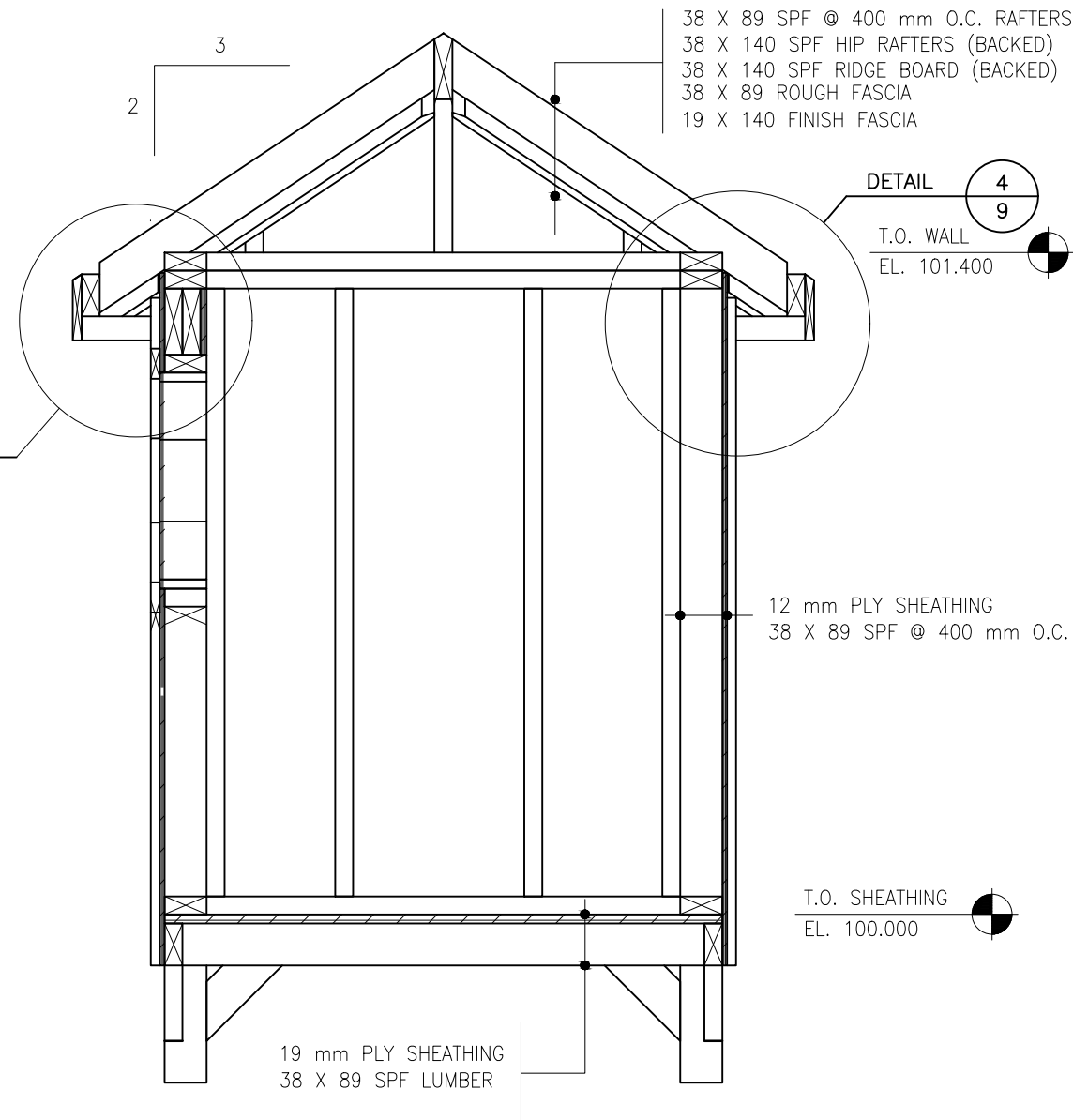
REAR ELEVATION



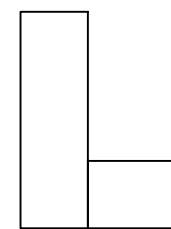
SECTION A-A  
SCALE 1:15



TOP PLATE DETAIL @ POSTS  
VIEWED FROM FRONT ELEVATION  
LEFT CORNER  
SCALE 1:10



SECTION B-B  
SCALE 1:15



CAP PLATE DETAIL @ POSTS  
VIEWED FROM FRONT ELEVATION  
LEFT CORNER  
SCALE 1:10

General Notes

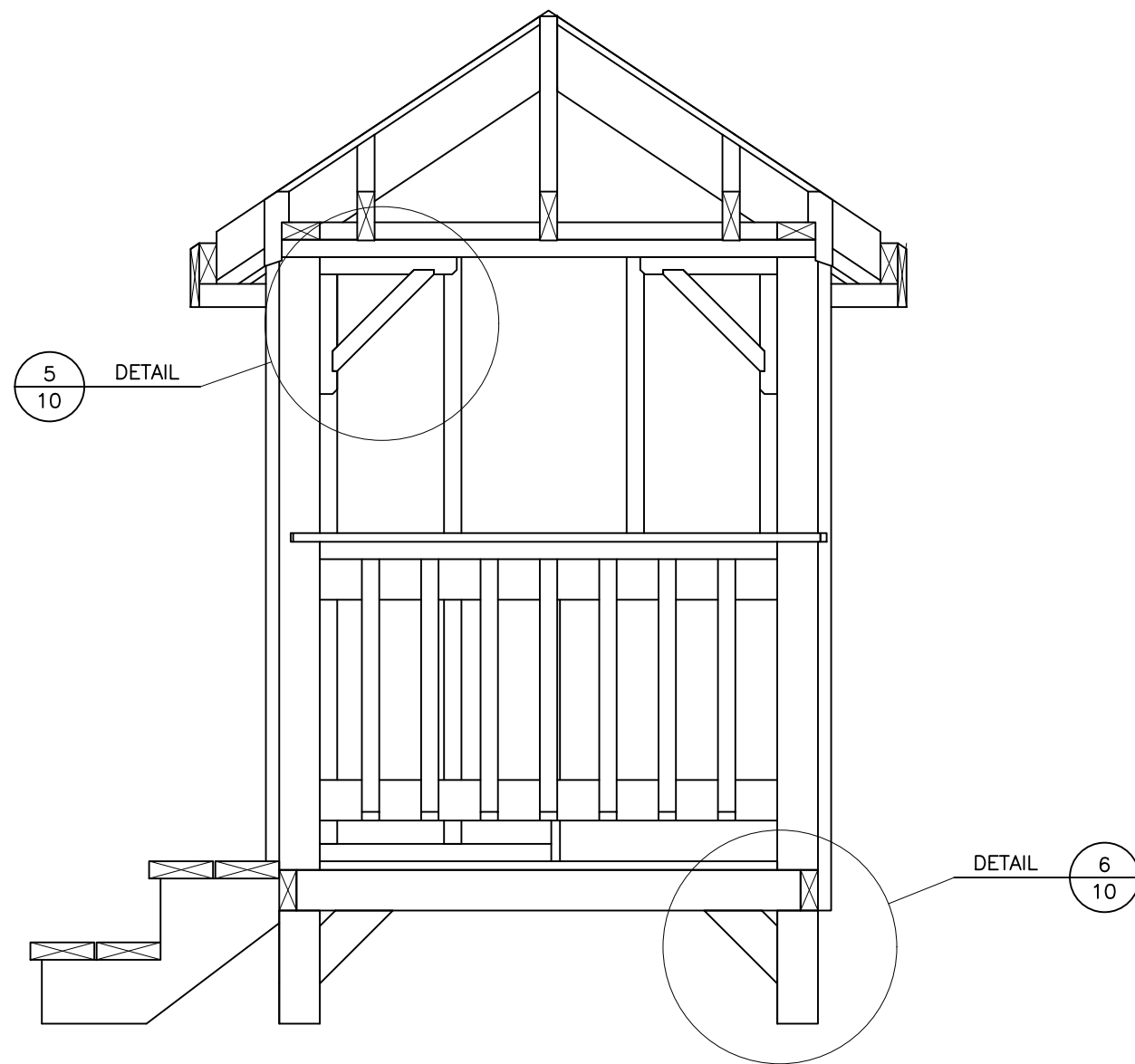
FOR EDUCATIONAL PURPOSE ONLY

No.	Revision/Issue	Date



PLAYHOUSE  
2023 Practice

Drawing	SECTIONS	Sheet
Date	FEB '23	7
Scale	1:15	



SECTION C-C  
SCALE 1:15

C-C  
2

General Notes

FOR EDUCATIONAL PURPOSE ONLY

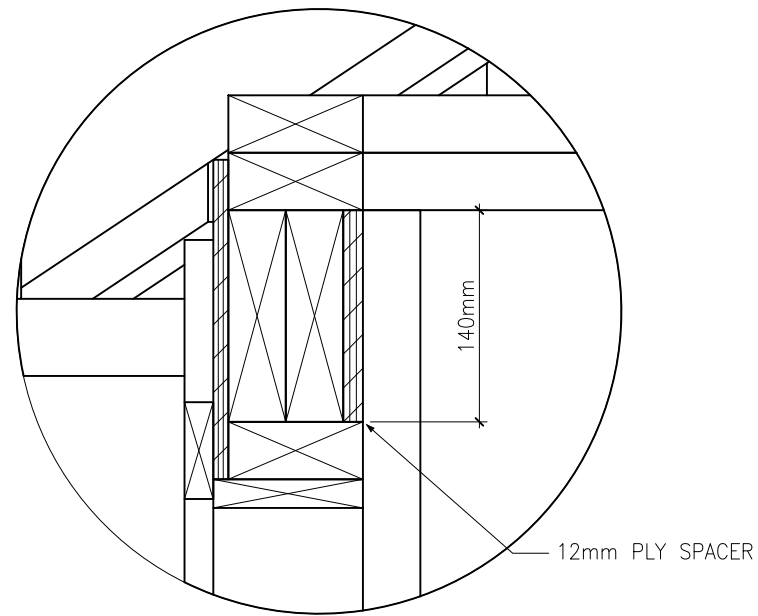
No.	Revision/Issue	Date



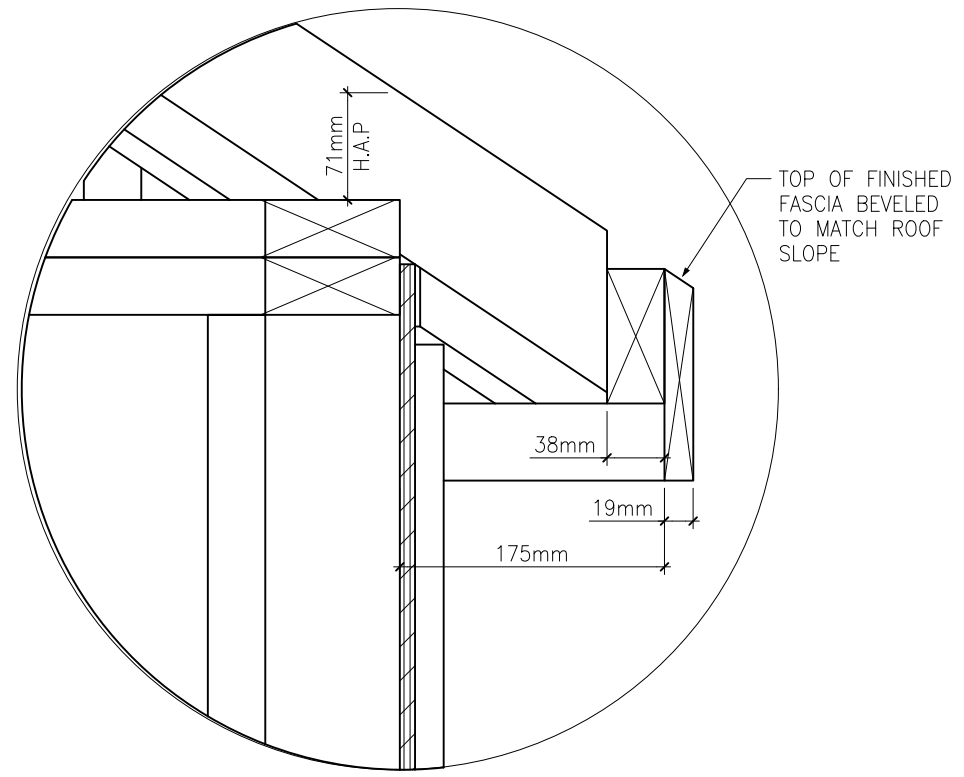
PLAYHOUSE  
2023 PRACTICE

Drawing	SECTIONS	Sheet	8
Date	FEB '23		
Scale	1:15		

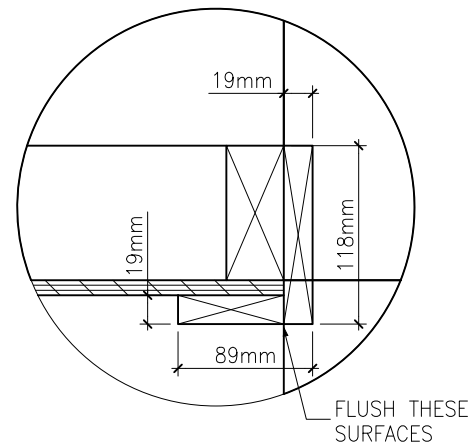




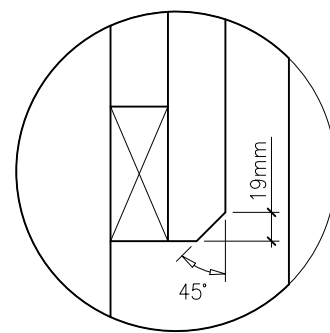
DETAIL 3  
 LINTEL DETAIL 7



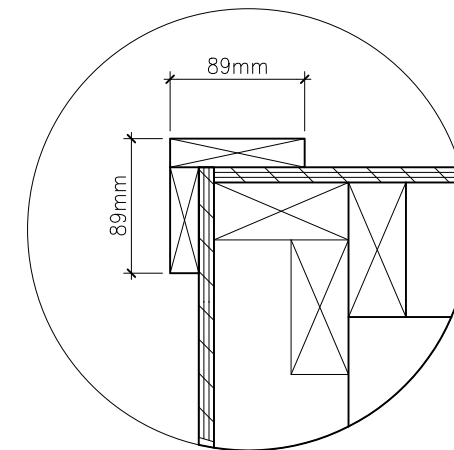
DETAIL 4  
 CORNICE DETAIL 7



DETAIL 2  
 INTERIOR WALL TRIM DETAIL TYPICAL 2



DETAIL 11  
 BALLUSTER CHAMFER DETAIL 7



DETAIL 1  
 REAR WALL TRIM DETAIL TYPICAL 2

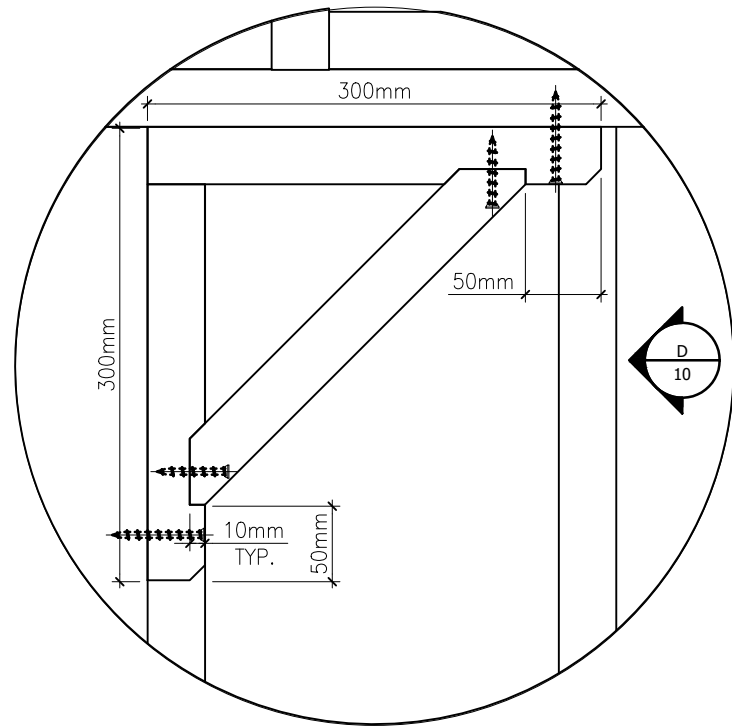
**General Notes**  
 FOR EDUCATIONAL PURPOSE ONLY

No.	Revision/Issue	Date

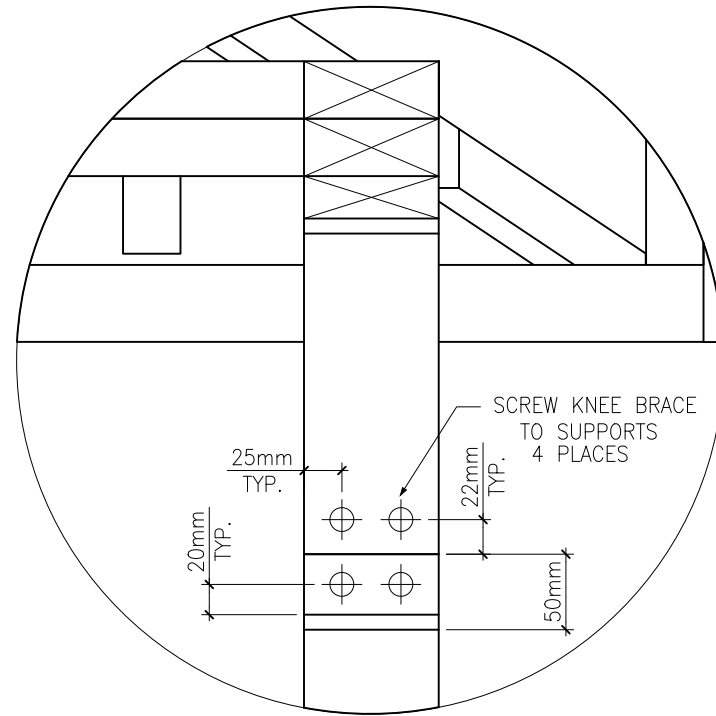


PLAYHOUSE  
 2023 PRACTICE

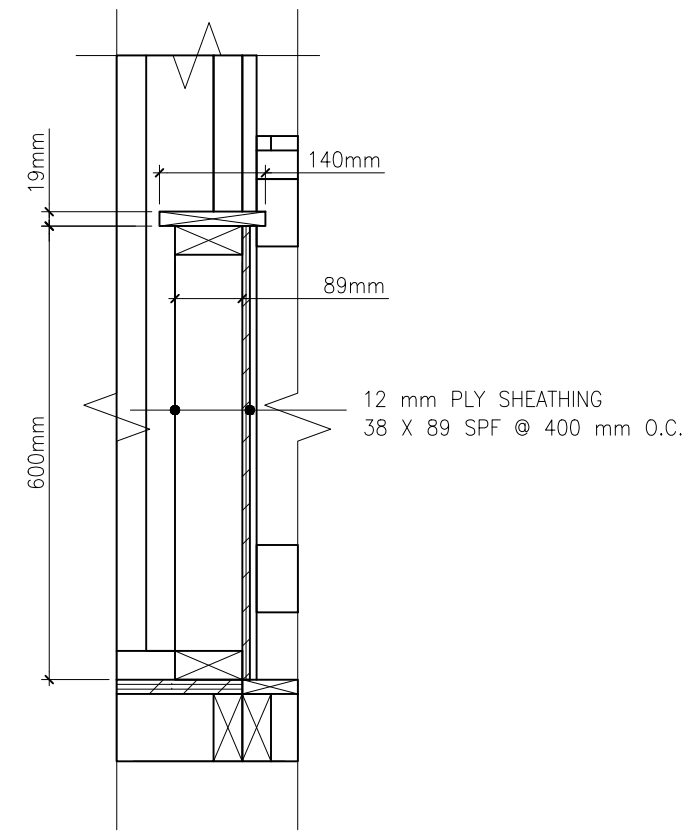
Drawing	DETAILS	Sheet	9
Date	FEB '23		
Scale	1:5		



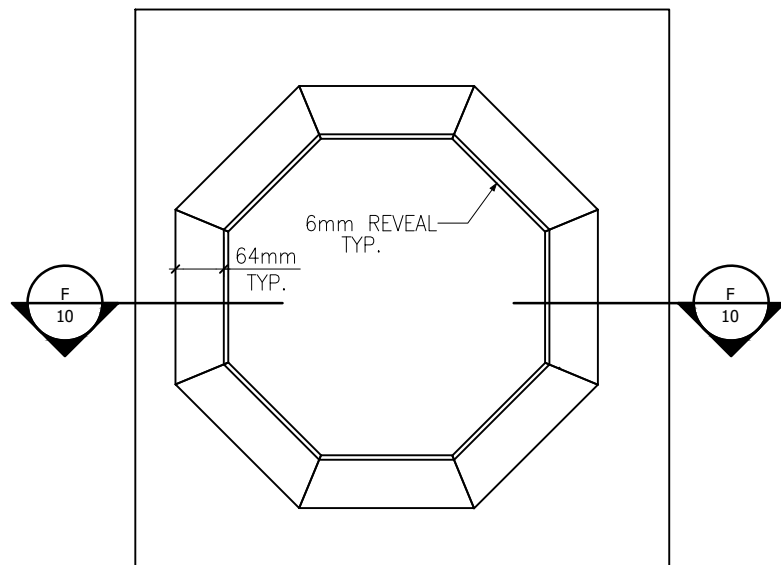
DETAIL 5  
KNEE BRACE  
DETAIL  
SCALE 1:5



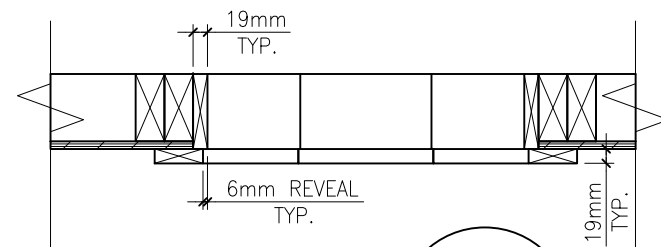
SECTION D  
KNEE BRACE  
SCALE 1:5



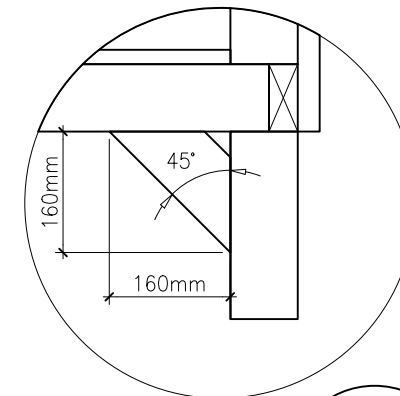
SECTION E  
PONY WALL  
SCALE 1:10



WINDOW DETAIL  
SCALE 1:10



SECTION F-F  
TYPICAL BRACE  
SCALE 1:10



DETAIL 6  
TYPICAL BRACE  
SCALE 1:10

General Notes		
FOR EDUCATIONAL PURPOSE ONLY		
No.	Revision/Issue	Date



PLAYHOUSE  
2023 PRACTICE

Drawing	DETAILS	Sheet
Date	FEB '23	10
Scale	AS SHOWN	