

General Notes

INDEX

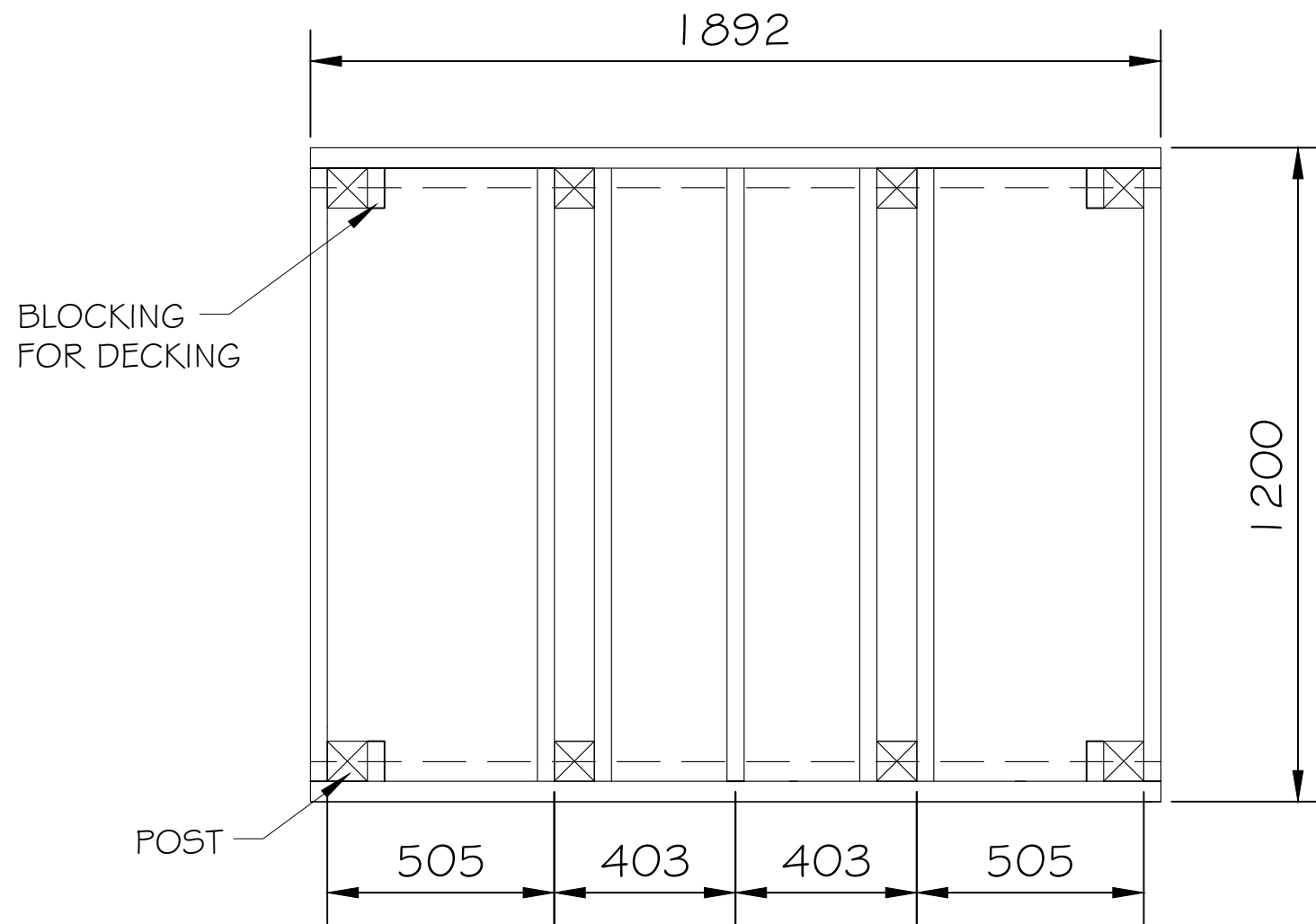
- 1 ISOMETRIC
- 2 FLOOR FRAMING PLAN
- 3 FLOOR DECKING PLAN
- 4 MAIN FLOOR PLAN
- 5 ROOF FRAMING PLAN
- 6 ELEVATIONS
- 7 SECTIONS
- 8 DETAILS
- 9 DETAILS

No.	Revision/Issue	Date



Provincial
Secondary Project

Drawing ISOMETRIC	Sheet 1
Date 11/15/2022	
Scale SCALE	



○ FLOOR FRAMING PLAN

General Notes

- ACQ 2X4 FLOOR FRAMING
- FLOOR FRAMING TO BE FASTENED WITH 2 - 3-1/4" HDG NAILS THROUGH HEADER INTO JOIST
- BLOCKING FOR DECKING 38 X 89
- EACH POST TO BE FASTENED TO JOISTS WITH 4 - 3 1/2" HDG NAILS
- FLOOR FRAME TO BE TOE NAILED THROUGH JOISTS INTO SKID WITH 3 1/2" HDG NAILS

No.	Revision/Issue	Date



Provincial
Secondary Project

Drawing	FLOOR	Sheet	2
Date	11/15/2022		
Scale	SCALE		

General Notes

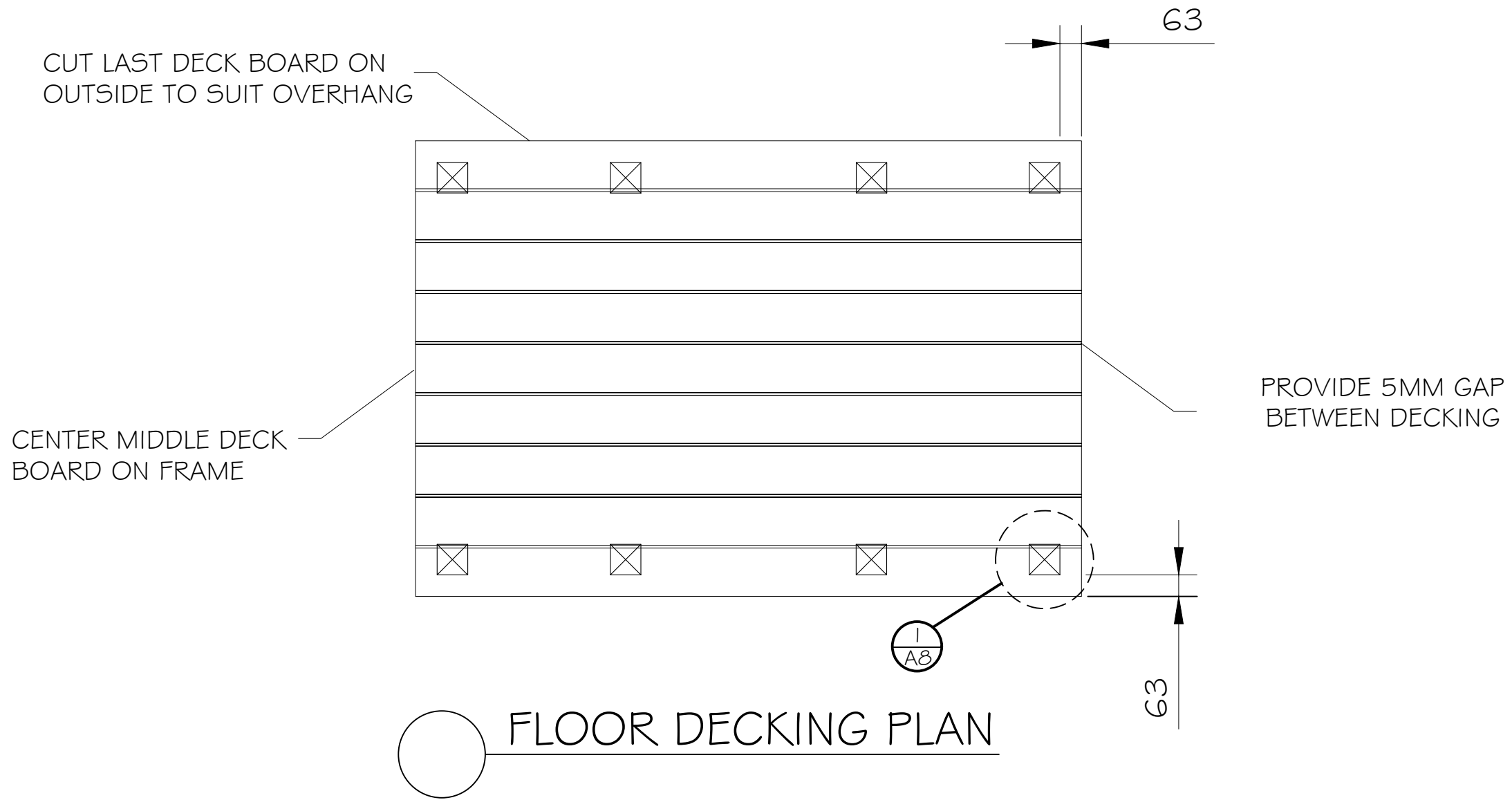
- 5/4 DECK BOARDS
- DECKING TO FASTENED WITH 2 1/2" ACQ DECK SCREWS EVENLY FOR AESTHETICS

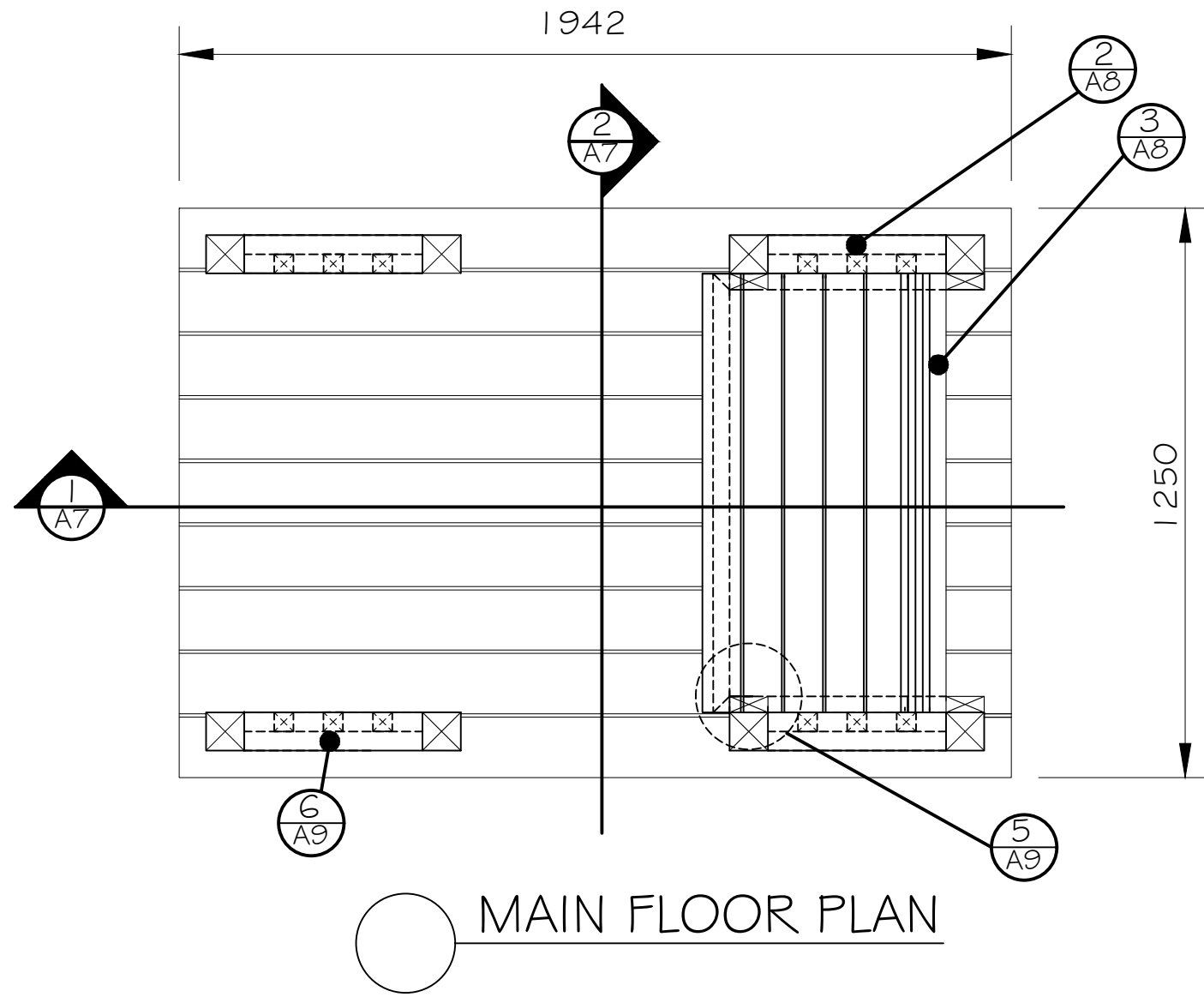
No.	Revision/Issue	Date



Provincial
Secondary Project

Drawing DECKING	Sheet 3
Date 11/15/2022	
Scale SCALE	





○ MAIN FLOOR PLAN

General Notes

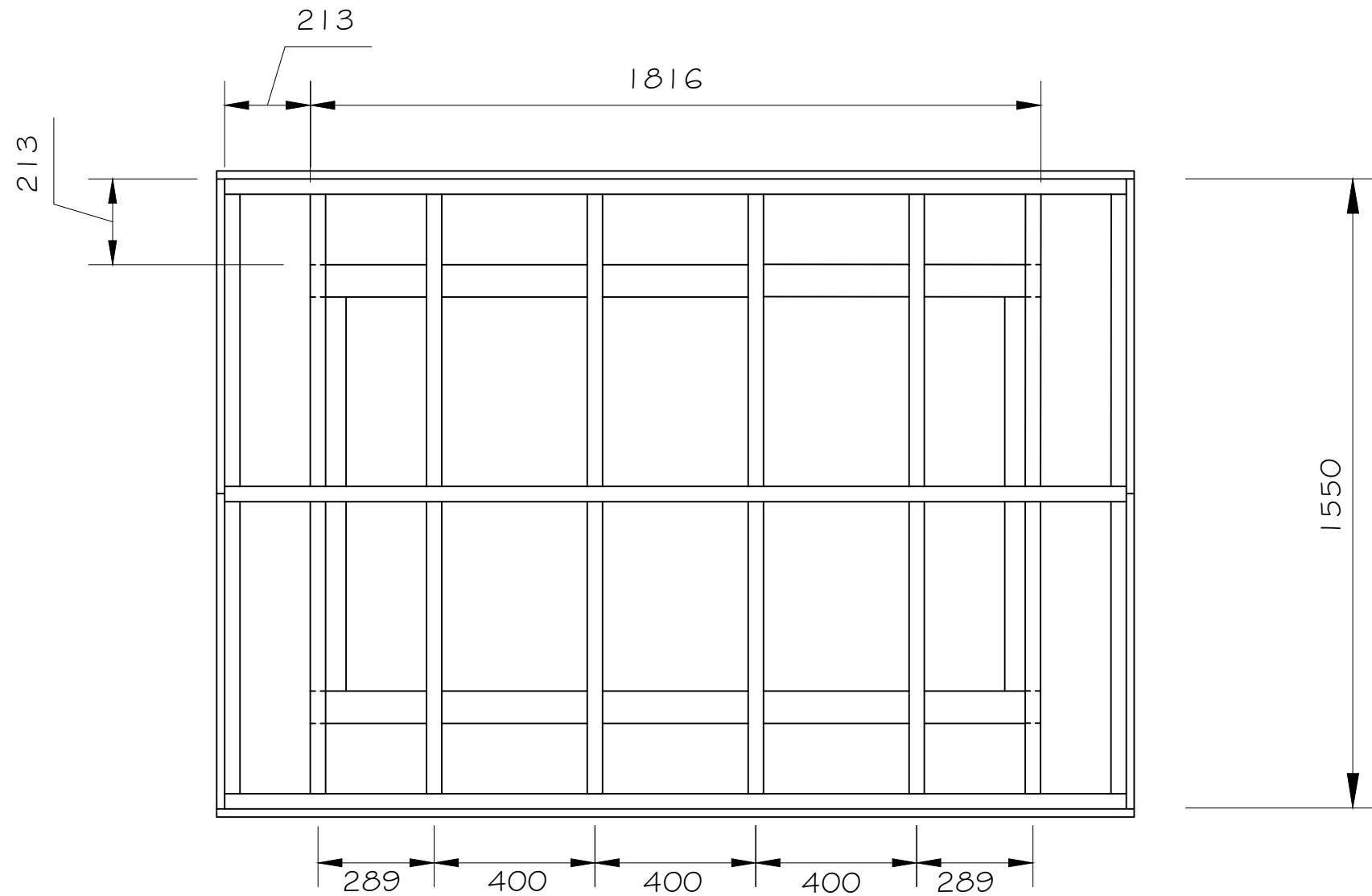
- BALUSTRADE TO BE FASTENED TOGETHER WITH 3" DECK SCREWS AND TO BE TOE SCREWED TO POST WITH DECK SCREWS
- 38 X 89 BENCH FRAMING FASTENED WITH 3" SCREWS EVENLY SPACED FOR AESTHETICS

No.	Revision/Issue	Date



Provincial
Secondary Project

Drawing MAINFLOOR	Sheet 4
Date 11/15/2022	
Scale SCALE	



ROOF FRAMING PLAN

General Notes

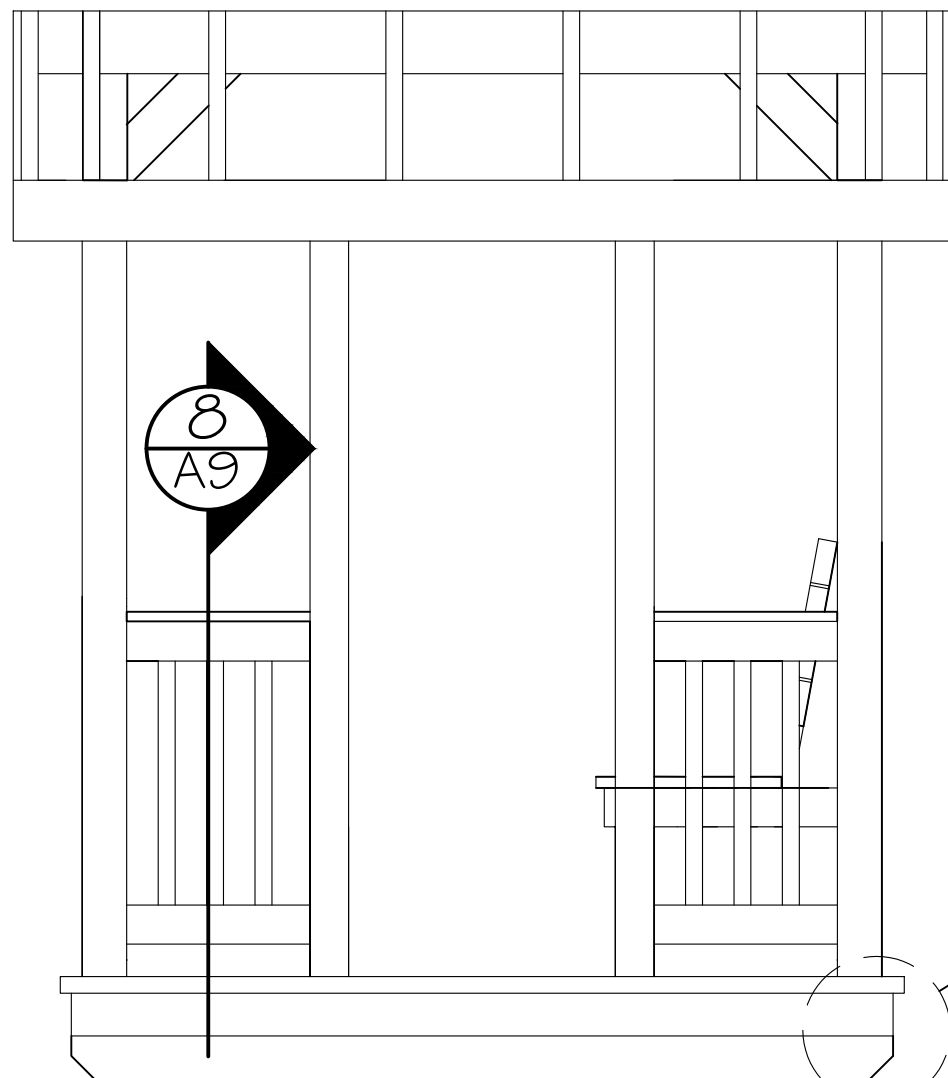
- 38 X 89 RAFTERS
- 38 X 89 ROUGH FASCIA
- 19 X 140 FINISH FASCIA
- 38 X 140 RIDGE
- RAFTERS TO HAVE A 30MM PLUMB CUT MEASUREMENT AT THE BIRDSMOUTH
- LOWER AND UPPER TOP PLATES NAILED DOWN WITH 3 1/4" PC NAILS AT EACH POST LOCATION
- RAFTERS TO BE FASTENED WITH 3 - 3 1/4" PC NAILS AT RIDGE AND BIRDSMOUTH
- ROUGH FASCIA TO BE FASTENED WITH 2 - 3 1/4" PC NAILS TO EACH RAFTER TAIL
- FINISH FASCIA INSTALLED WITH 2" SIDING NAILS

No.	Revision/Issue	Date

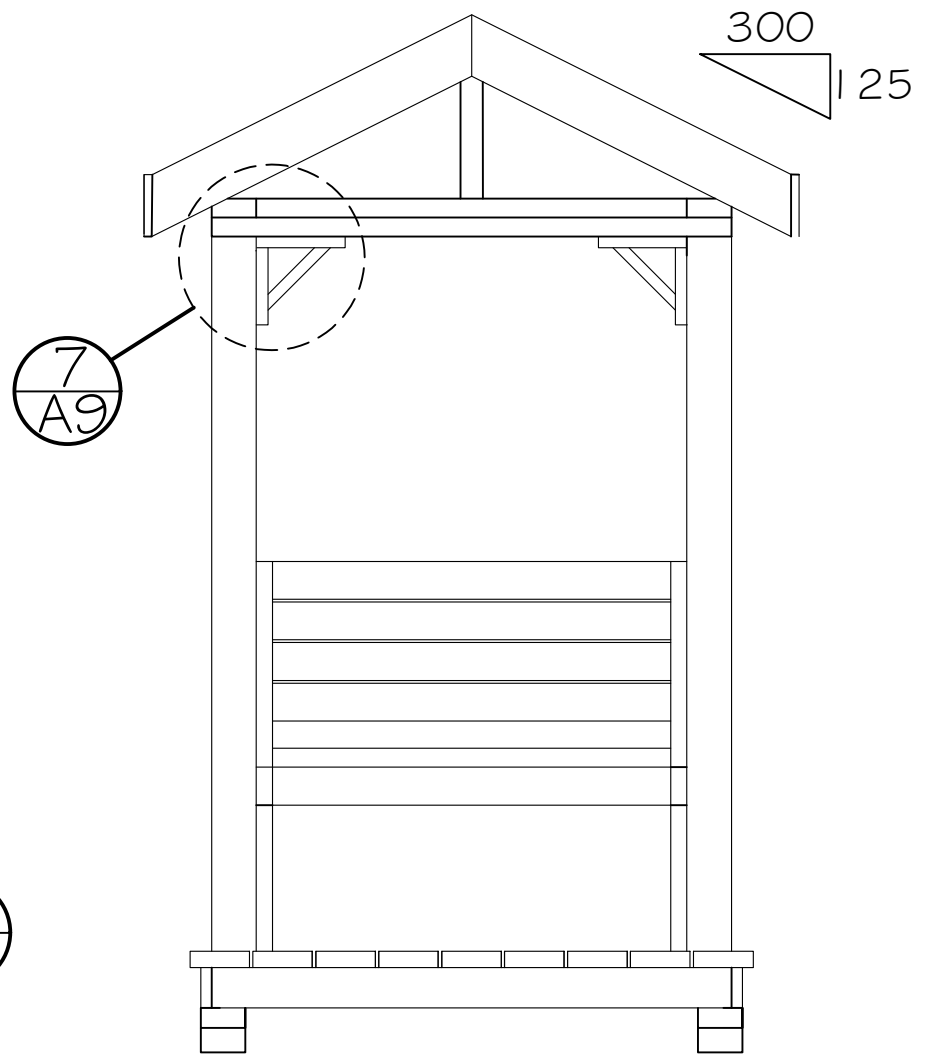


Provincial
Secondary Project

Drawing	ROOF	Sheet	5
Date	11/15/2022		
Scale	SCALE		



○ SIDE ELEVATION



○ REAR ELEVATION

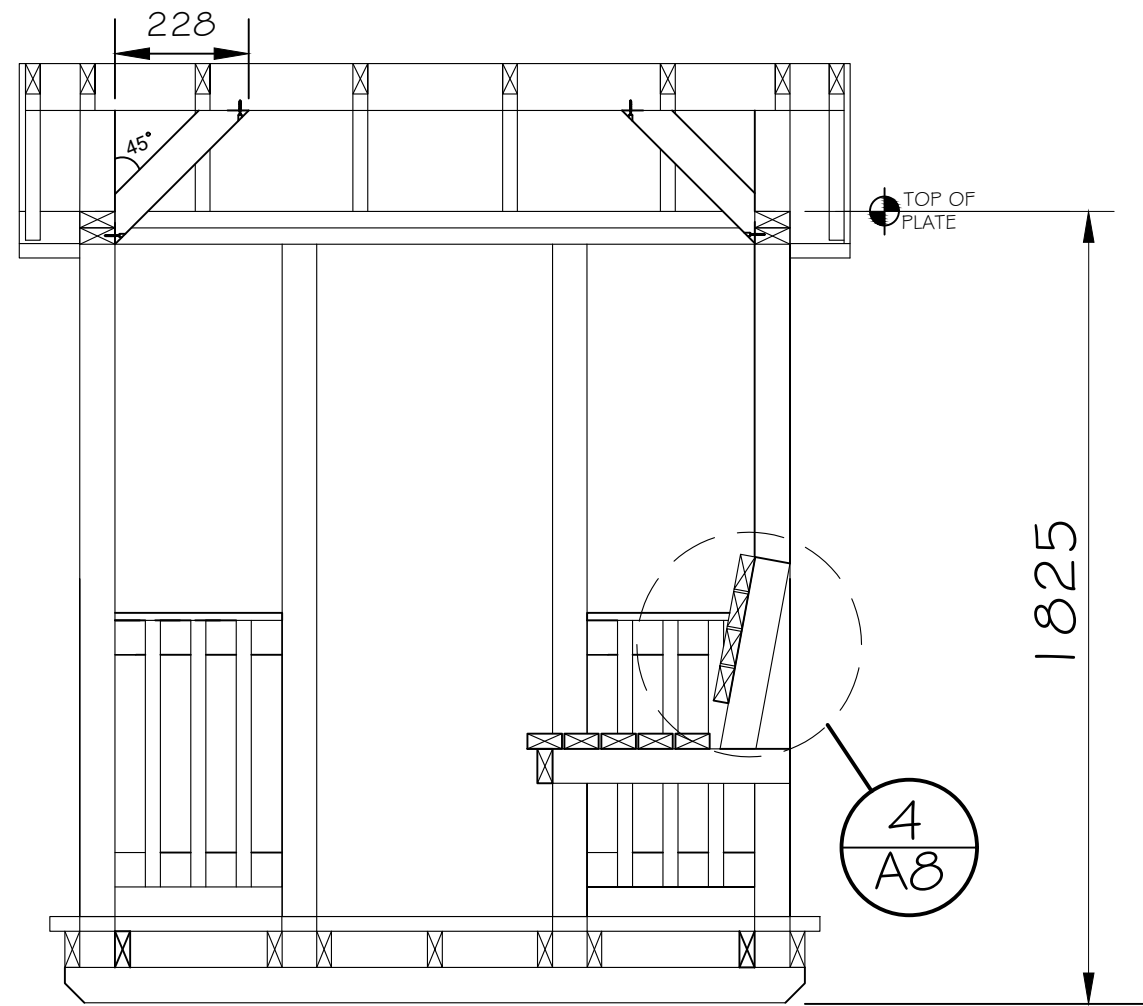
General Notes

No.	Revision/Issue	Date

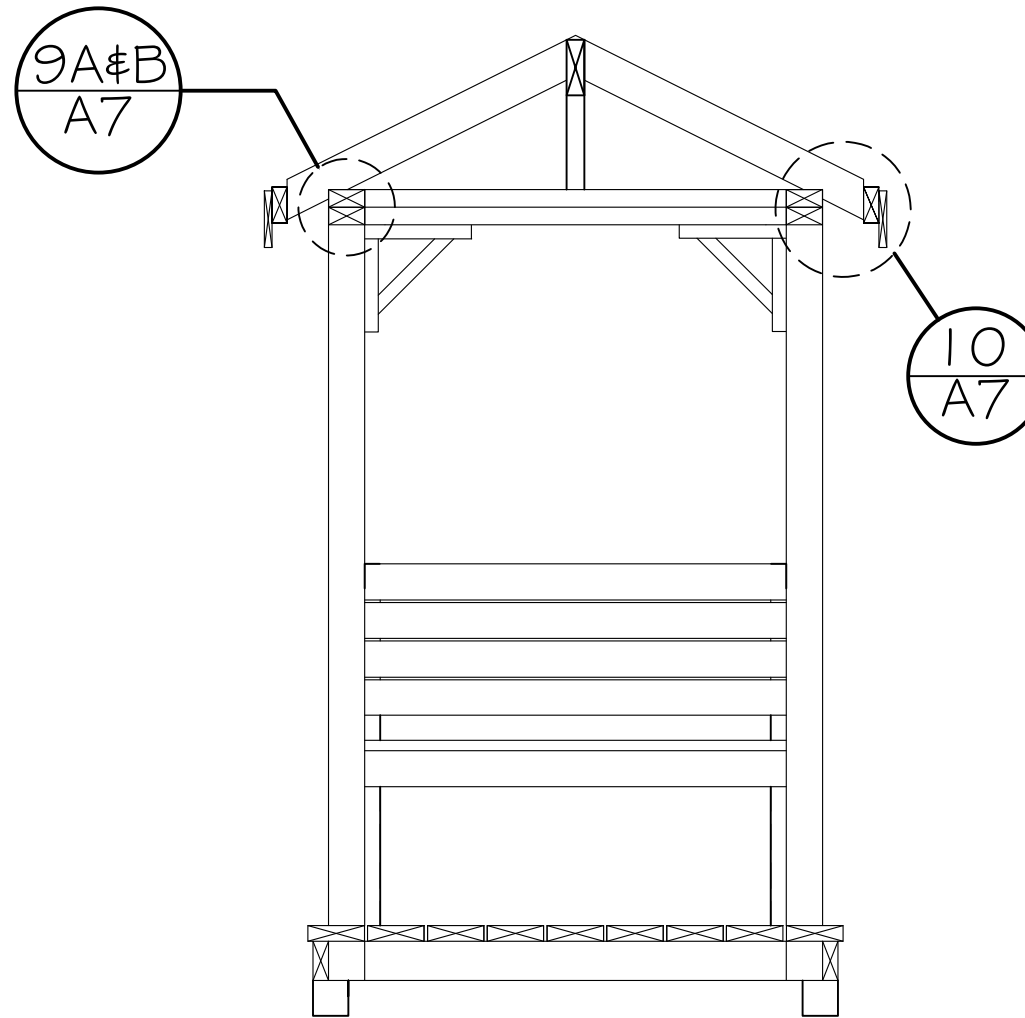


Provincial
Secondary Project

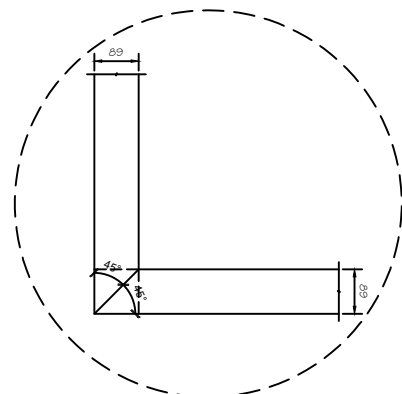
Drawing ELEVATIONS	Sheet 6
Date 11/15/2022	
Scale SCALE	



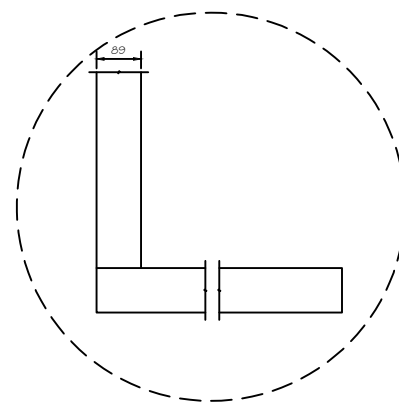
1 SECTION
A4



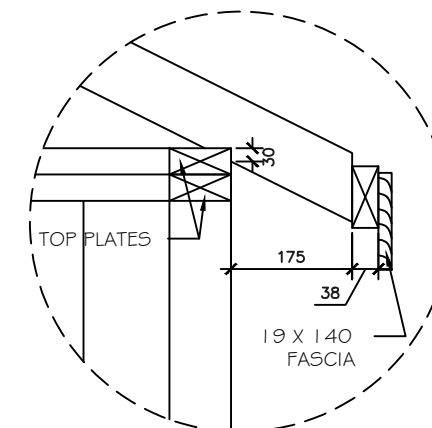
2 SECTION
A4



9A PLAN OF LOWER TOP PLATE
A7 CONNECTION AT POSTS



9B PLAN OF UPPER TOP PLATE
A7 CONNECTION AT POSTS



10 TYP. EAVE DETAIL
A7

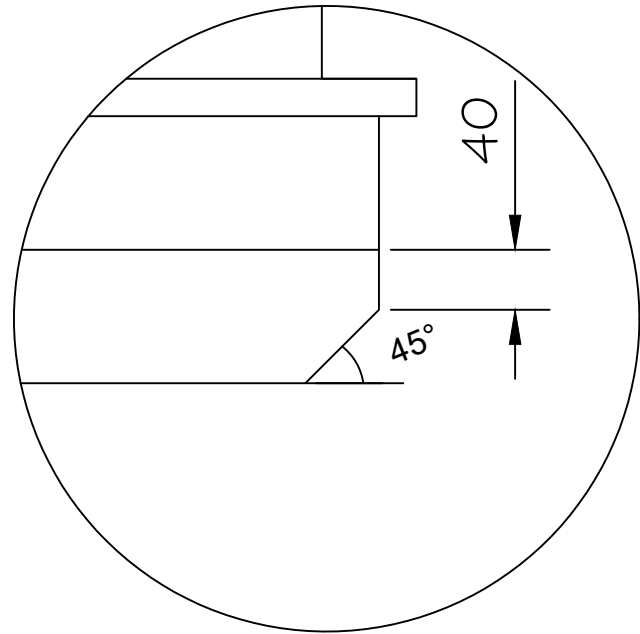
General Notes

No.	Revision/Issue	Date

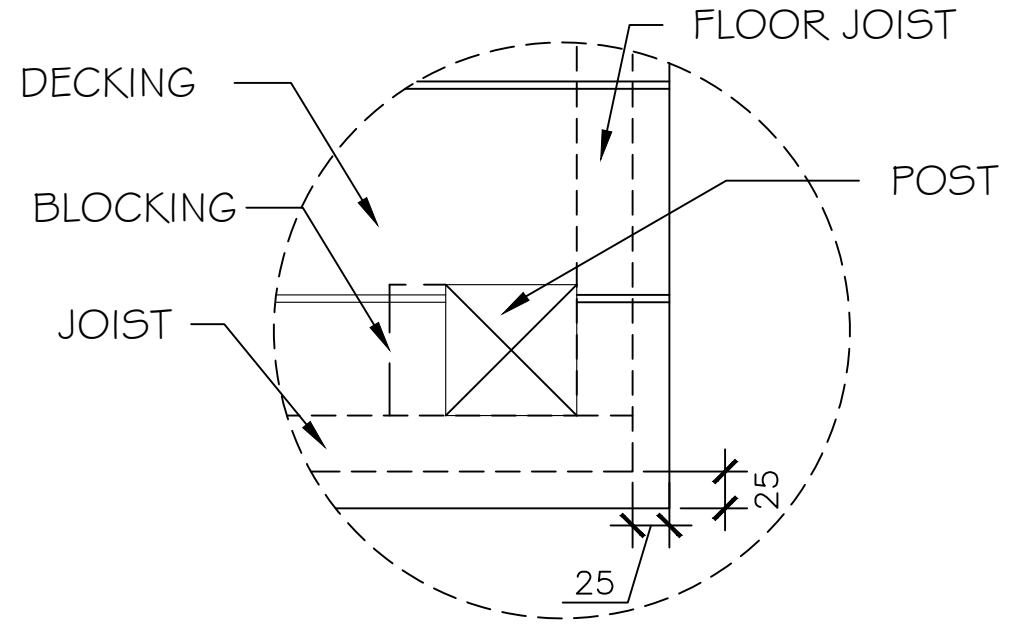


Provincial
Secondary Project

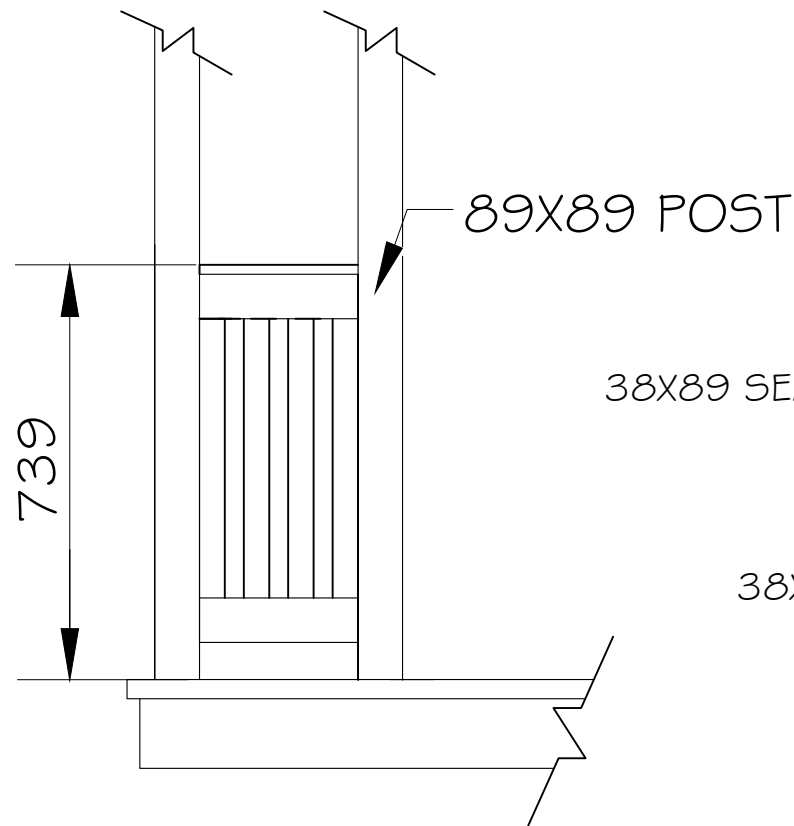
Drawing	SECTIONS	Sheet	7
Date	11/15/2022		
Scale	SCALE		



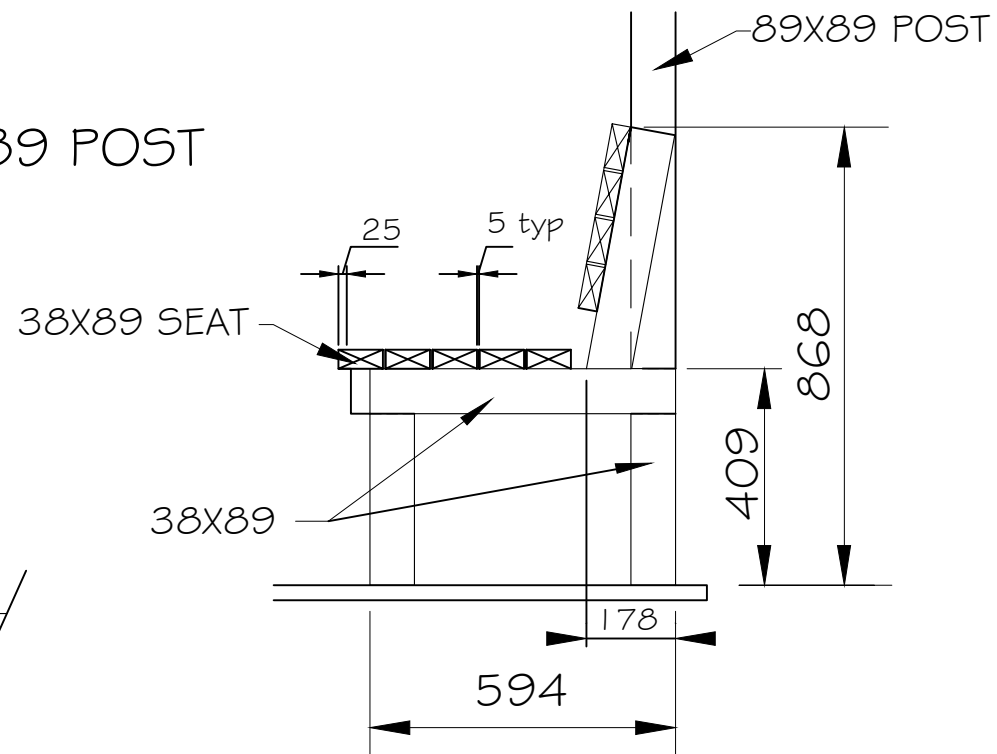
1 SLEEPER DETAIL
A3



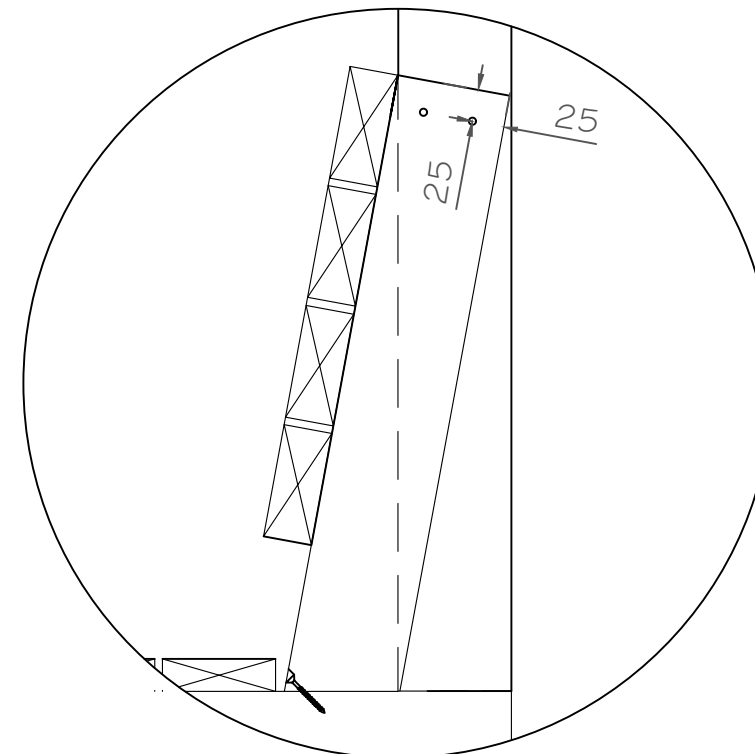
1 DECKING AT FLOOR JOISTS
A3



2 RAILING DETAIL
A4



3 BENCH DETAIL
A4



4 BACK DETAIL
A7

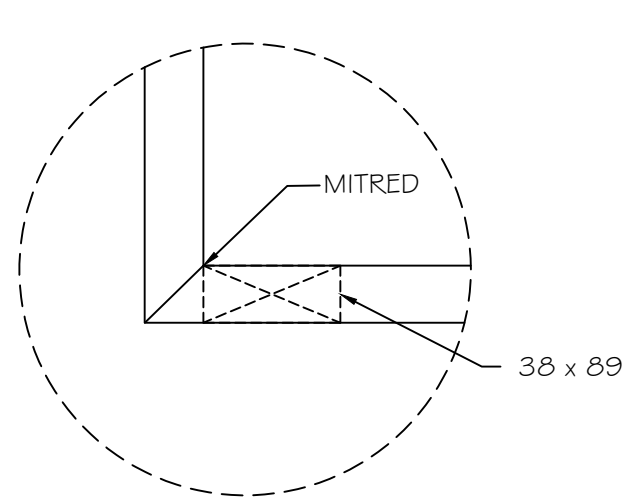
General Notes

No.	Revision/Issue	Date

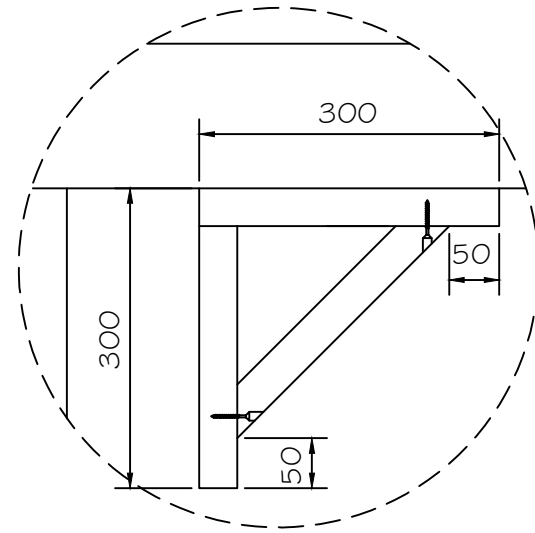


Provincial
Secondary Project

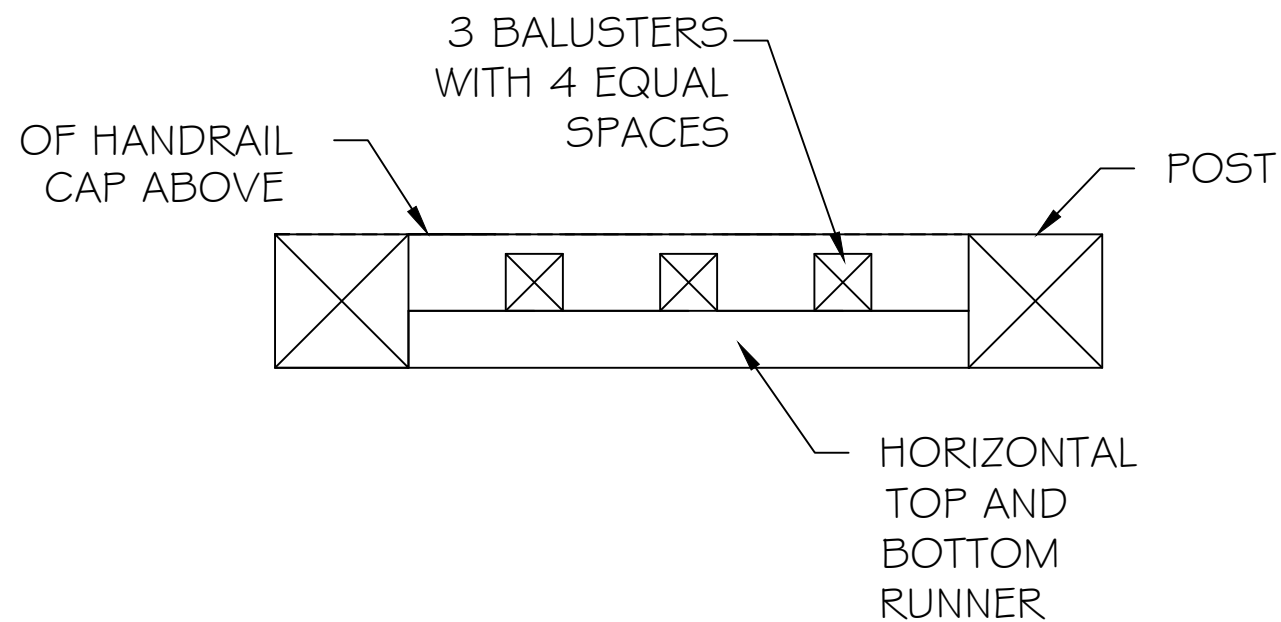
Drawing DETAILS	Sheet 8
Date 11/15/2022	
Scale SCALE	



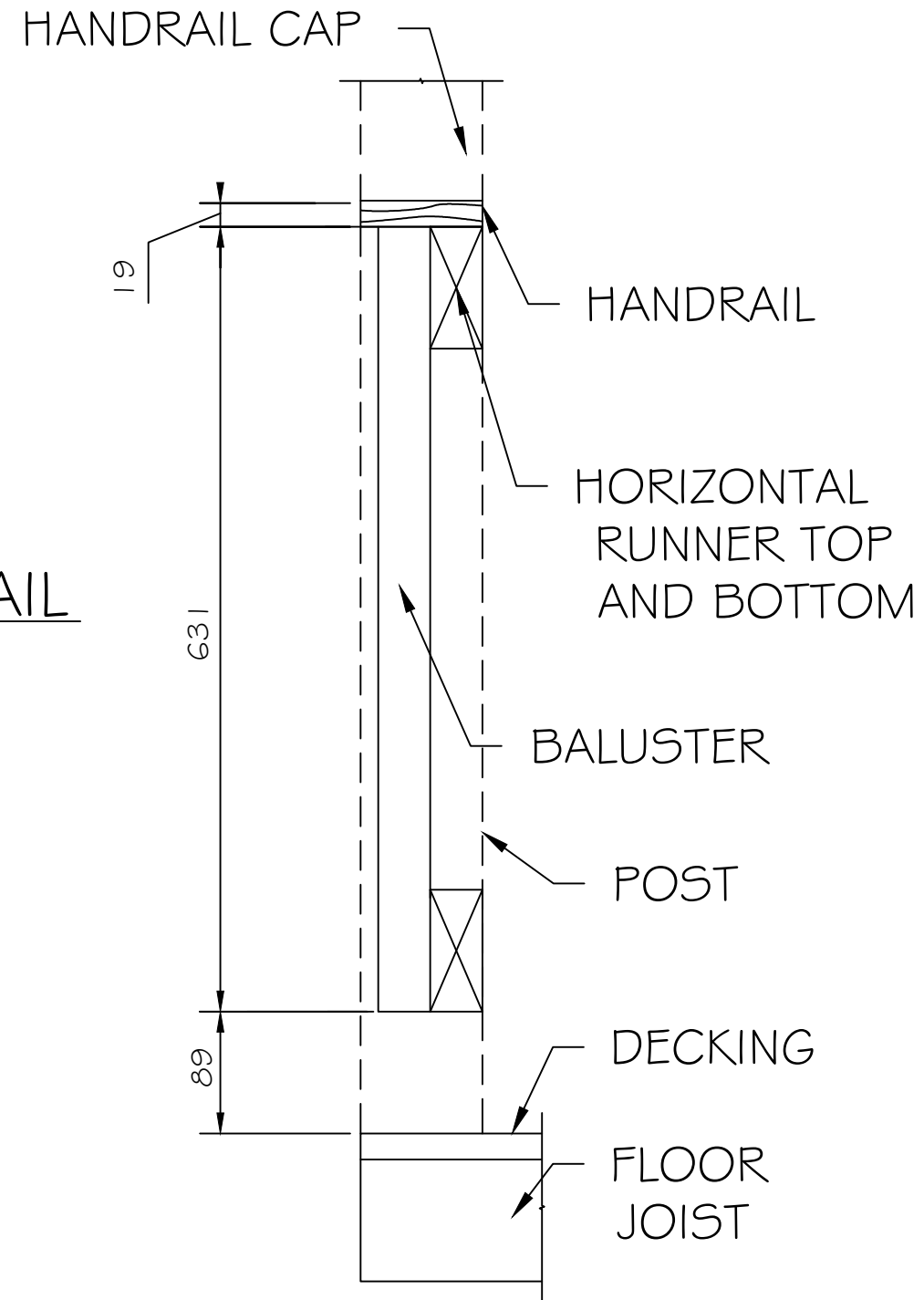
5 BENCH FRAMING
A4 DETAIL



7 TYP. BRACE DETAIL
A6



6 RAILING PLAN
A4 DETAIL



8 BALUSTER SECTION
A6

- General Notes
- 38 X 89 BRACES
 - BRACE TO FASTENED TOGETHER AND INSTALLED WITH SCREWS

No.	Revision/Issue	Date



Provincial
Secondary Project

Drawing	DETAILS	Sheet	9
Date	11/15/2022		
Scale	SCALE		