

ZEN STOOL

TABLE OF CONTENTS:

PAGE 1 ISOMETRIC

PAGE 2 EXPLODED

PAGE 3 ORTHOGRAPHIC

PAGE 4 LEG DETAILS

PAGE 5 SPREADER DETAILS

PAGE 6 TOP DETAILS

PAGE 7 BOTTOM RAIL DETAILS

**General Notes**

1. THE PROJECT IS TO BE CONSTRUCTED USING POPLAR HARDWOOD
2. WEDGES ARE SUPPLIED HARDWOOD

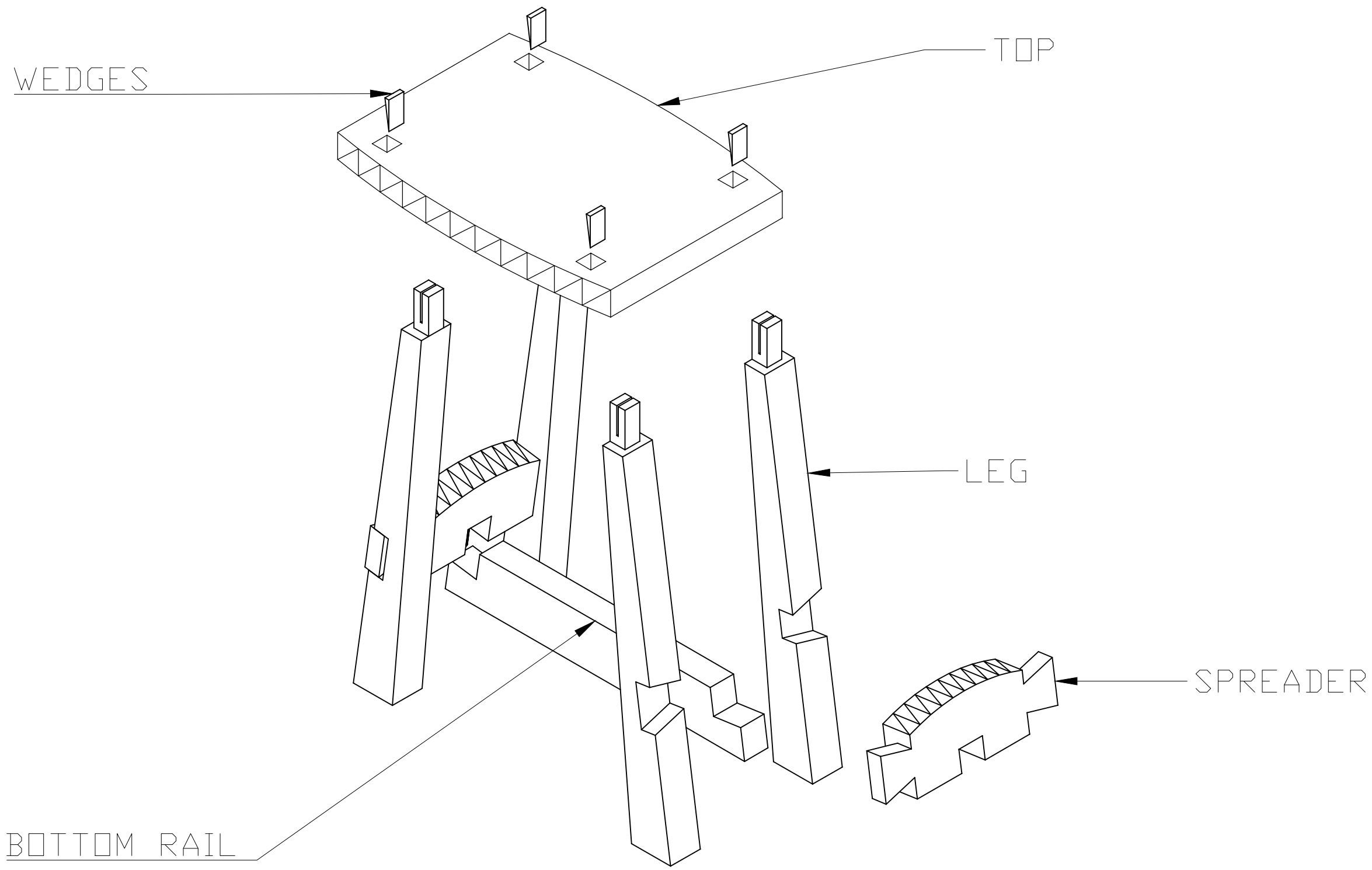
No.	Revision/Issue	Date



Project Name

**ZEN STOOL**

Drawing	ISOMETRIC	Sheet	1 of 7
Date	FEBRUARY 2024		
Scale	NTS		



**General Notes**

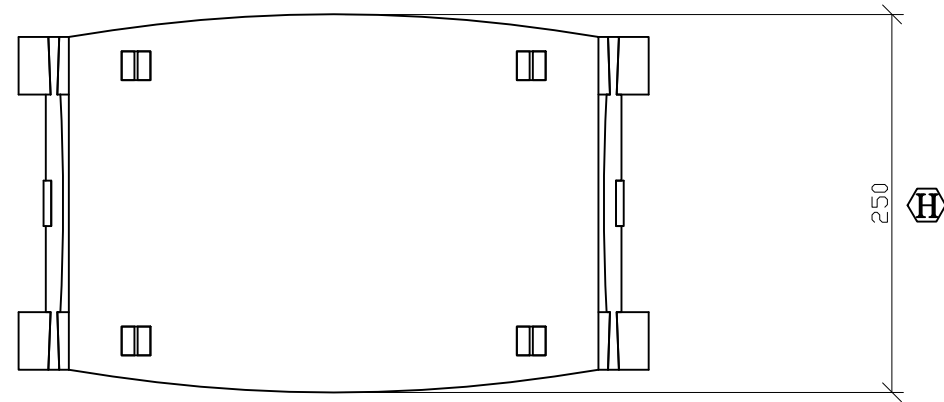
1. SCREWS ARE USED TO SECURE THE BOTTOM RAIL TO THE SPREADERS.
2. WEDGES ARE TO BE HAND CUT AND VISIBLE WHEN FLUSHED OFF.

No.	Revision/Issue	Date

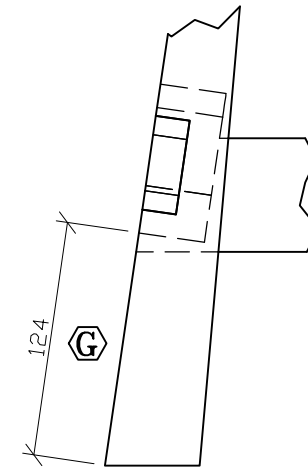


**Project Name**  
**ZEN STOOL**

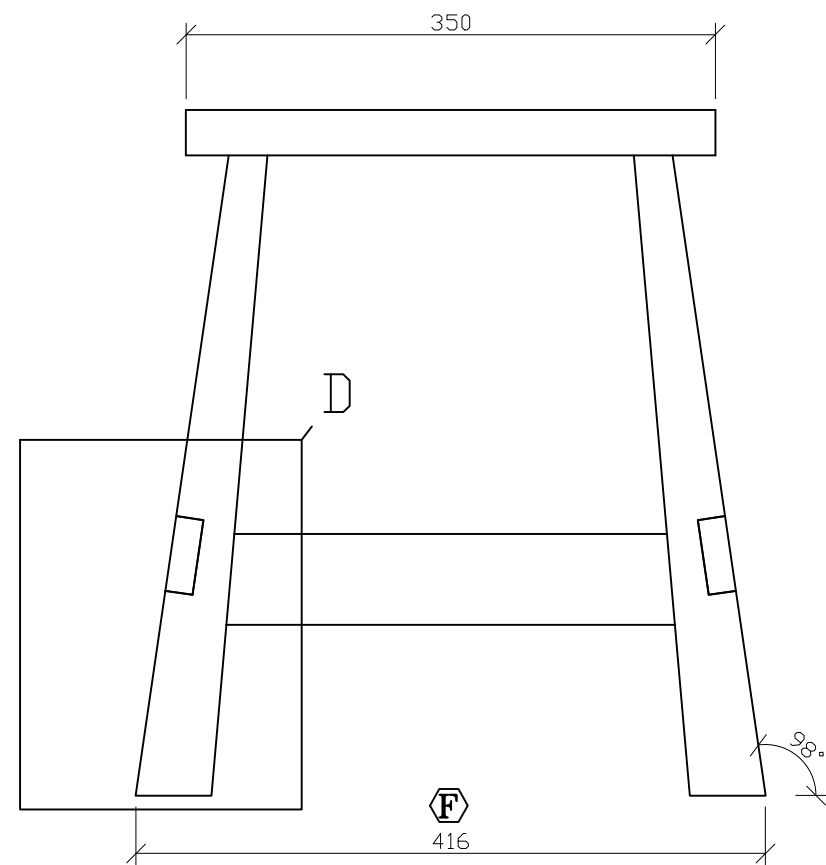
<b>Drawing</b> EXPLODED	<b>Sheet</b> 2 of 7
<b>Date</b> FEBRUARY 2024	
<b>Scale</b> NTS	



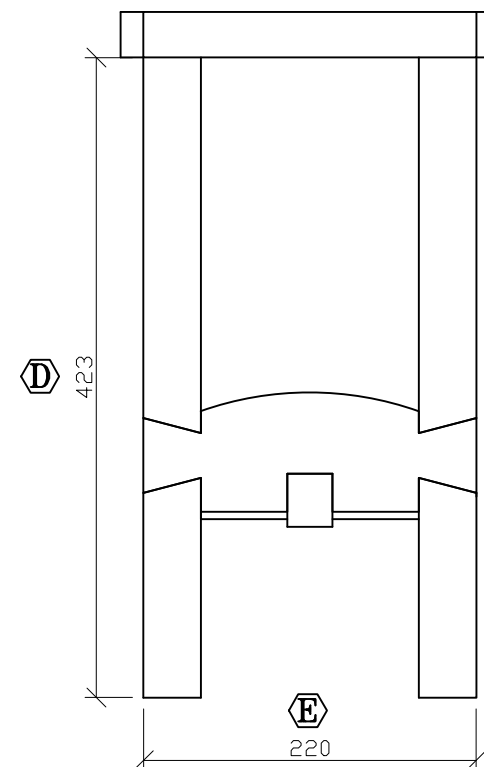
TOP



D



FRONT



RIGHT SIDE

General Notes

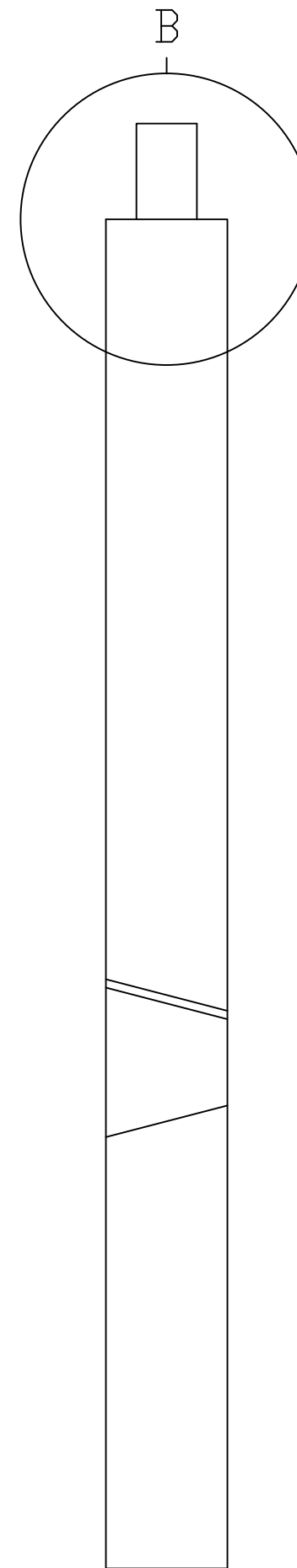
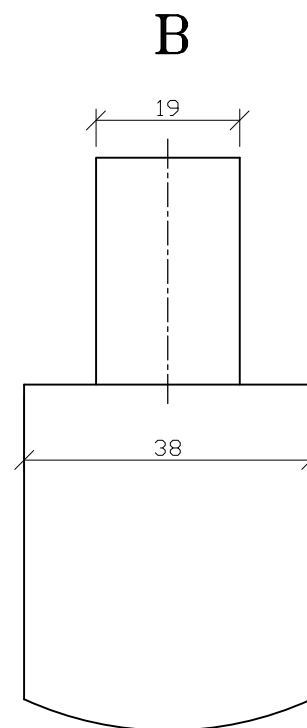
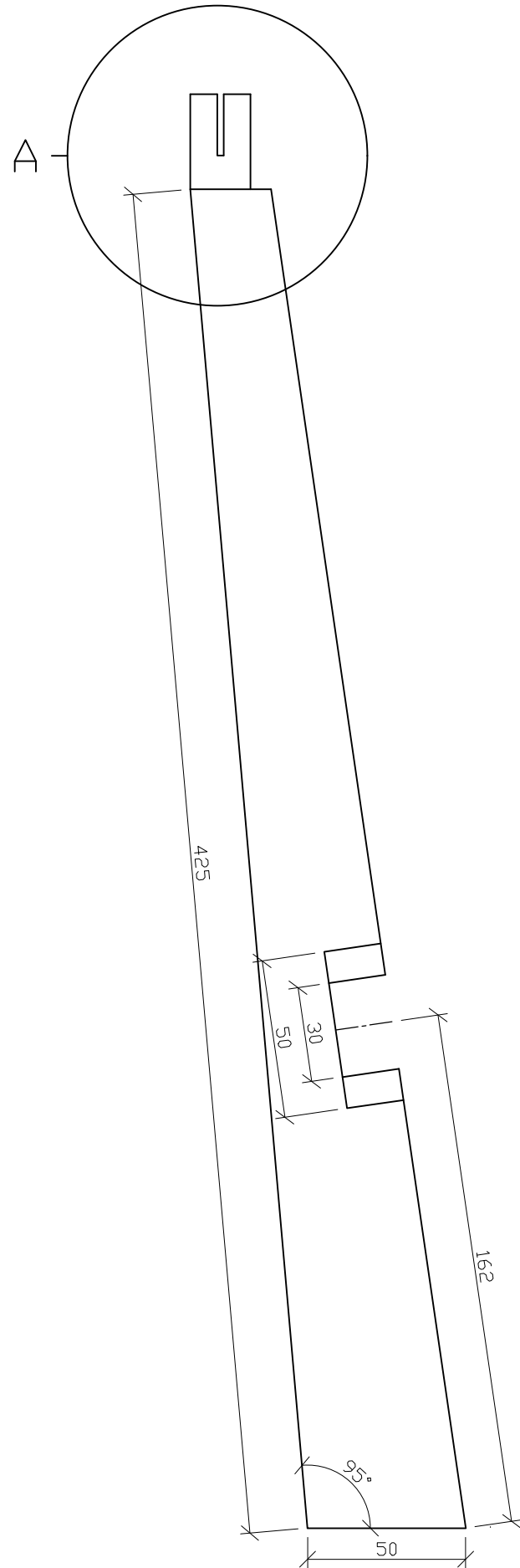
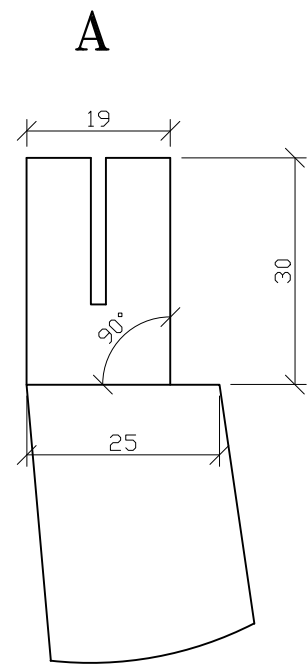
1. INDICATES MARKING POINT

No.	Revision/Issue	Date




Project Name  
**ZEN STOOL**

Drawing <b>ORTHOGRAPHIC</b>	Sheet <b>3 of 7</b>
Date <b>FEBRUARY 2024</b>	
Scale <b>1:5</b>	



**General Notes**

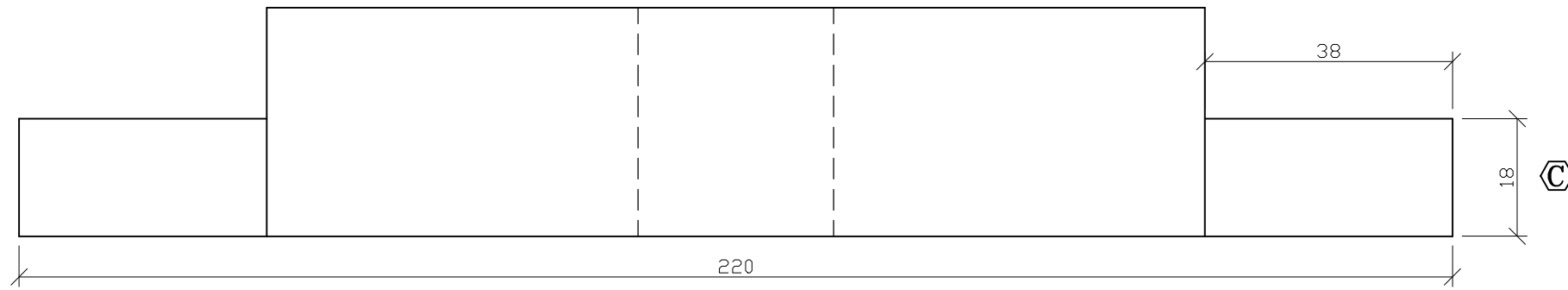
1. THE TOP SHOULDER OF THE LEG IS THE SAME ANGLE AS THE BOTTOM OF THE LEG
2. LEAVE THE TENON 1 OR 2 MM LONGER SO THAT IT CAN BE FLUSHED OFF AFTER THE LEG IS INSTALLED INTO THE TOP.
3. THE TENON IS LAID OUT SQUARE TO THE SHOULDER ANGLE OF THE LEG
4. THE POSITION OF THE SPREADER IS LOCATED ALONG THE OUTSIDE SLOPE OF THE LEG TO THE CENTRE OF THE DOVETAIL
5. KERF FOR WEDGES TO BE CUT WIDE ENOUGH TO RECEIVE FULL WIDTH WEDGES
6.  INDICATES MARKING POINT

No.	Revision/Issue	Date

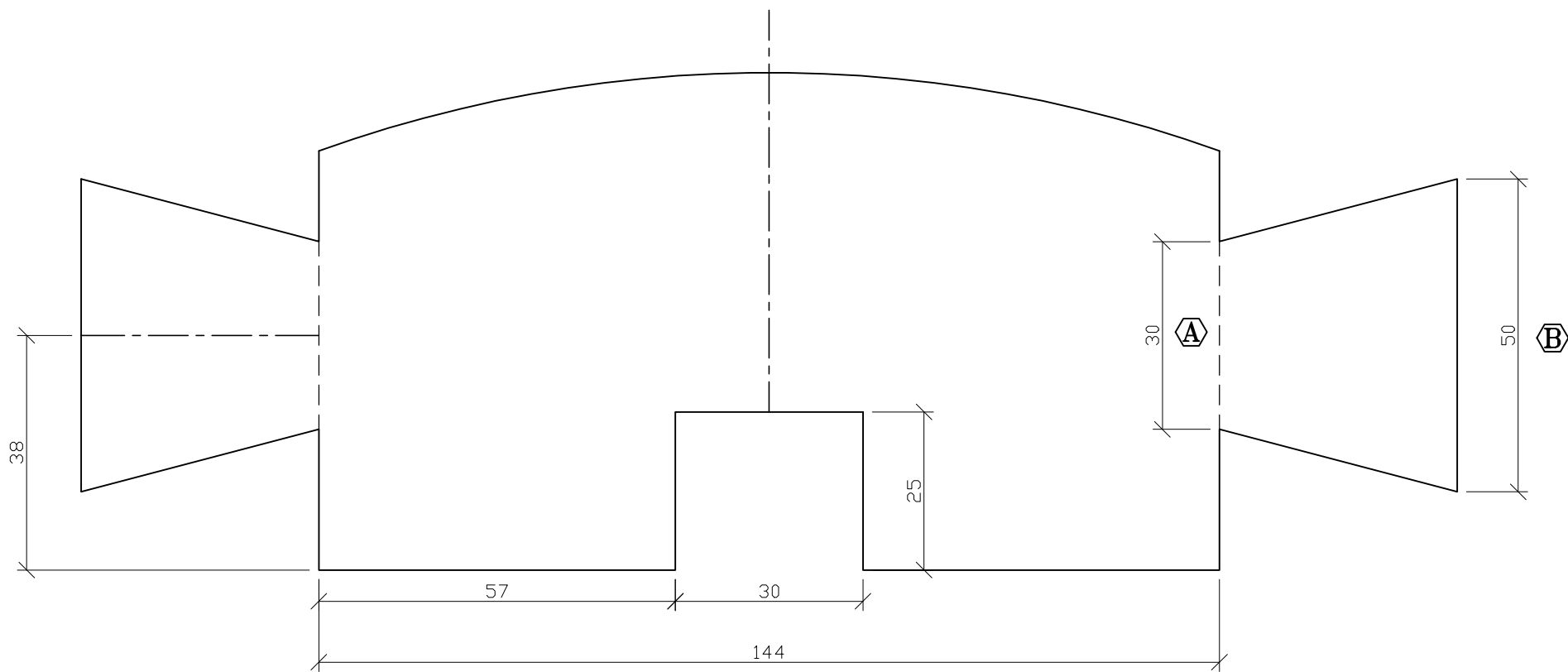


**Project Name**  
**ZEN STOOL**

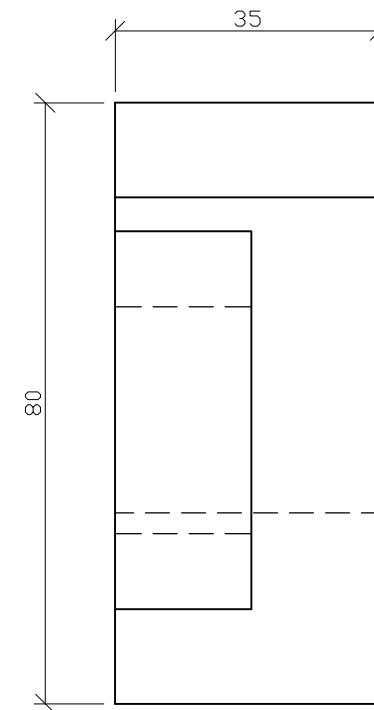
<b>Drawing</b> LEG DETAILS	<b>Sheet</b> 4 of 7
<b>Date</b> FEBRUARY 2024	
<b>Scale</b> 1:2	



TOP




FRONT



RIGHT SIDE

General Notes

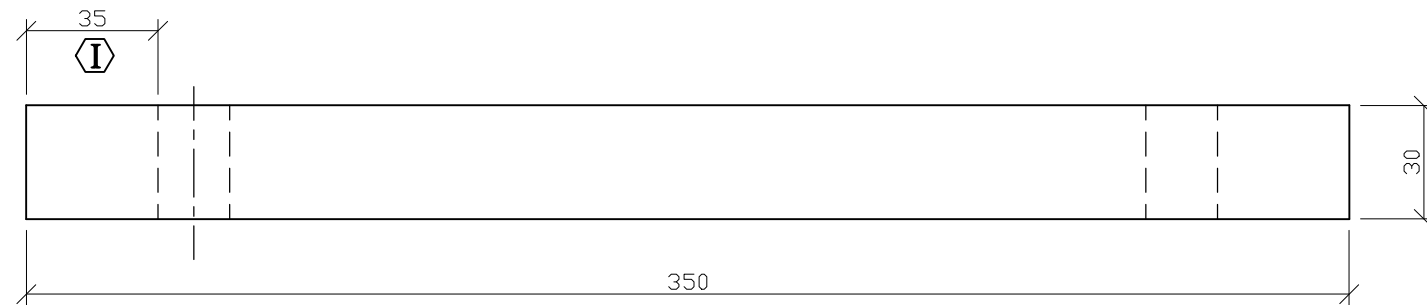
1. THE TOP CURVE IS TO BE DETERMINED BY THE COMPETITOR.
2.  INDICATES MARKING POINT

No.	Revision/Issue	Date

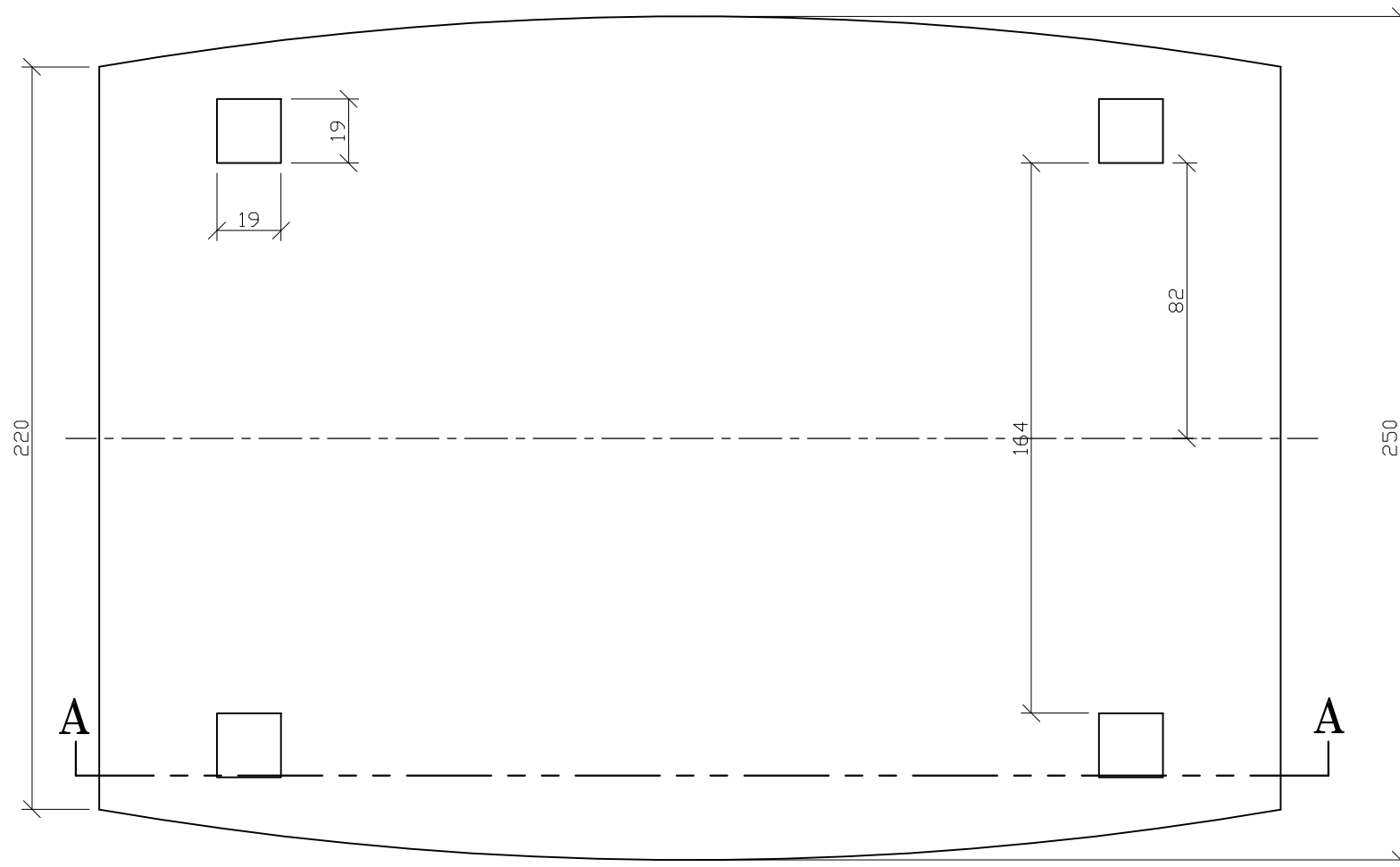


Project Name  
**ZEN STOOL**

Drawing <b>SPREADER</b>	Sheet <b>5</b>
Date <b>FEBRUARY 2024</b>	of <b>7</b>
Scale <b>1:1</b>	




A-A



TOP

**General Notes**

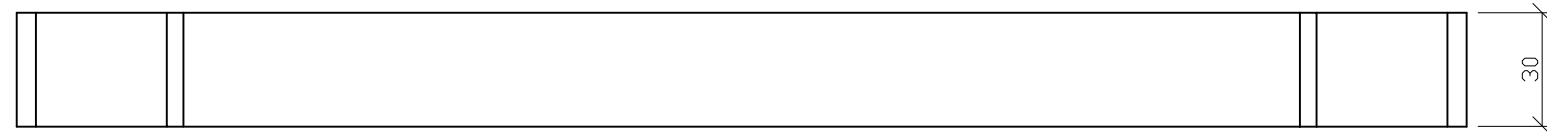
1. ENDS OF TOP ARE TO REMAIN STRAIGHT TO FACILITATE THE LAYOUT AND MACHINING OF MORTISES.
2. THE CURVED SIDES ARE CREATED BY COMPETITOR.
3. THE LAYOUT IS DONE FROM THE CENTRE.
4.  INDICATES MARKING POINT

No.	Revision/Issue	Date

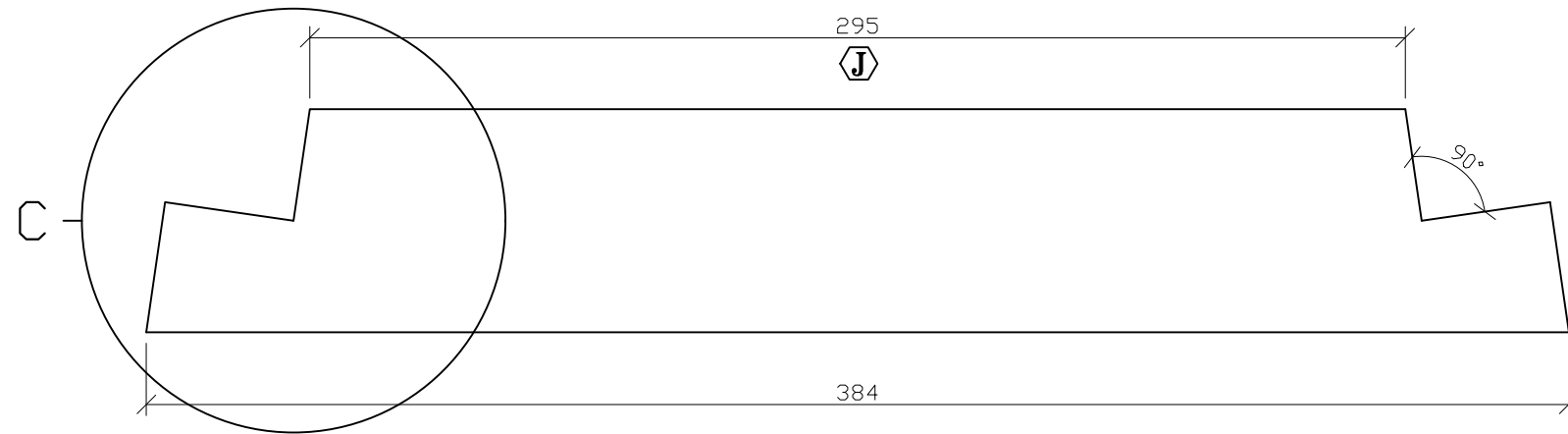


Project Name  
**ZEN STOOL**

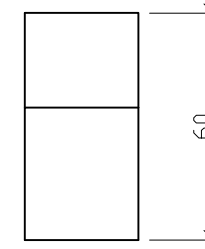
Drawing	TOP	Sheet	6 of 7
Date	FEBRUARY 2024		
Scale	1:2		



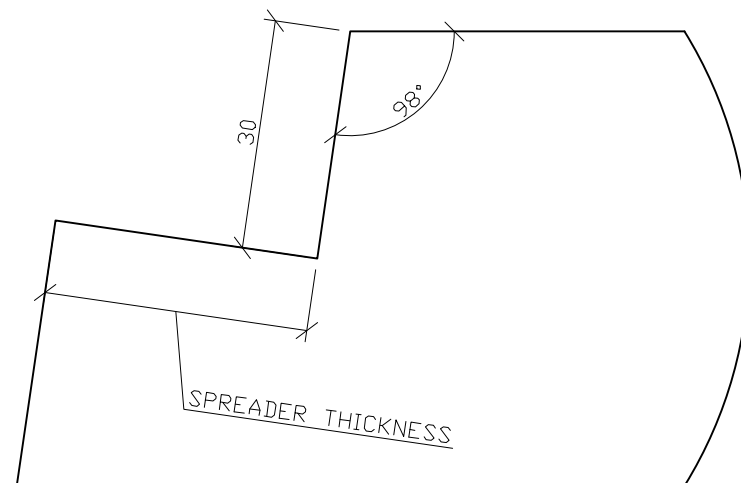
TOP



FRONT

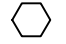


RIGHT SIDE



C

**General Notes**

1. THE LENGTH OF THE BOTTOM RAIL SHOULD BE LEFT LONG AND THEN CUT FLUSH WITH THE FACE OF THE SPREADER
2.  INDICATES MARKING POINT

No.	Revision/Issue	Date



**Project Name**  
ZEN STOOL

<b>Drawing</b> BOTTOM RAIL	<b>Sheet</b> 7 of 7
<b>Date</b> FEBRUARY 2024	
<b>Scale</b> 1:2	