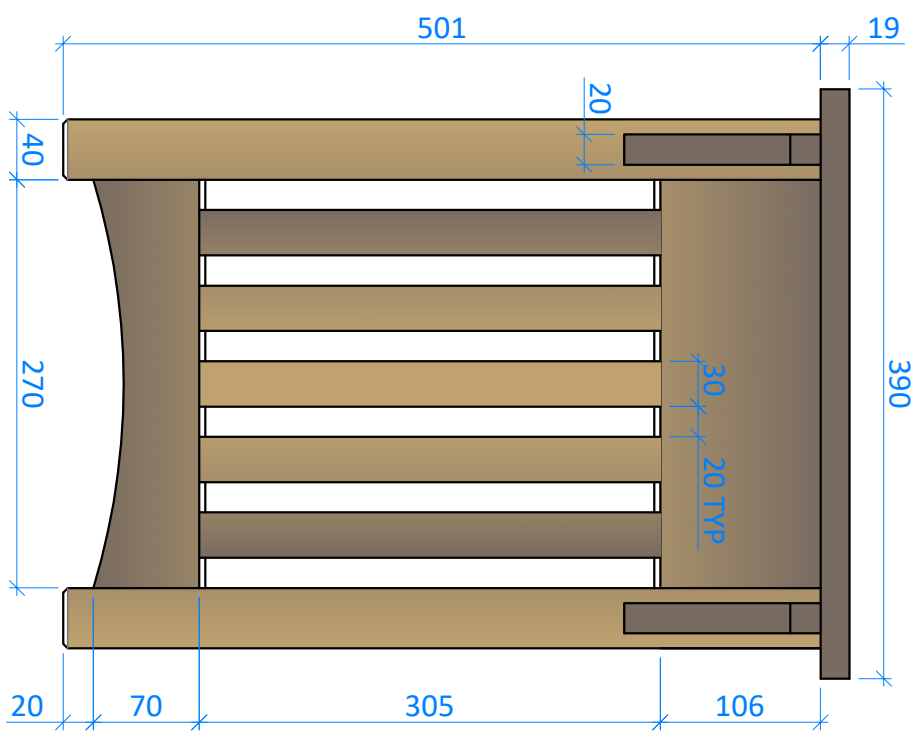
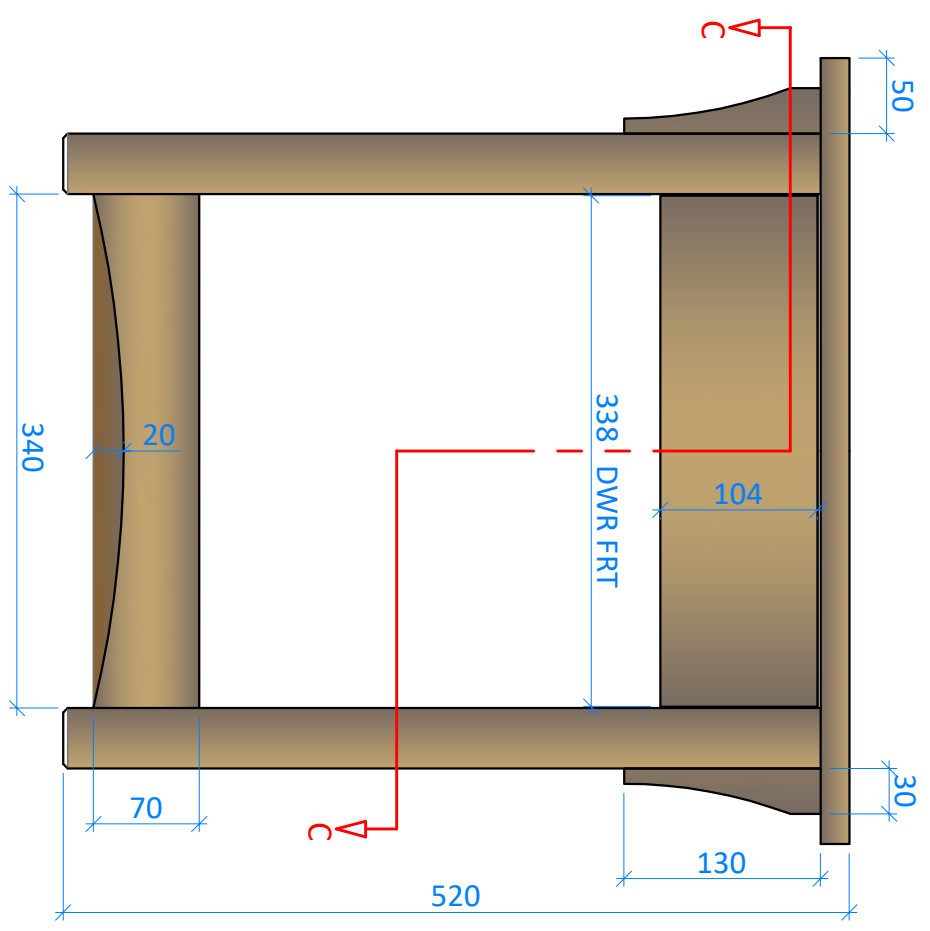


DRAWER CORNER JOINERY  
TYPICAL ALL 4 CORNERS  
SCALE 1 : 1



TOP, FRONT AND RS ORTHOGRAPHIC VIEWS  
SCALE 1 : 5

**NOTE:**  
DRAWINGS FOR TRAINING PURPOSES ONLY  
COMPETITION PROJECT MAY HAVE UP TO 30% CHANGE



**NOTES:**

- TOP:**
- 19 MM PARTICLE CORE PLYWOOD
  - 10 X 19 SOLID EDGING, MITRED CORNERS
- FRAME:**
- HARDWOOD SOLIDS AND SHEET GOODS
- DRAWER JOINERY:**
- HANDCUT DOVETAILS, MARKED BEFORE AND AFTER ASSEMBLY
  - CURVED TEMPLATES WILL BE PROVIDED FOR LAYOUTS

**PROJECT:**

**Arts and Crafts Table**

**LEVEL:**

**High School**

**Drawing Description**

**Ortho Views & Dwr Detail**

**DATE:**

Feb 29, 2024

**SCALE:**

As Noted

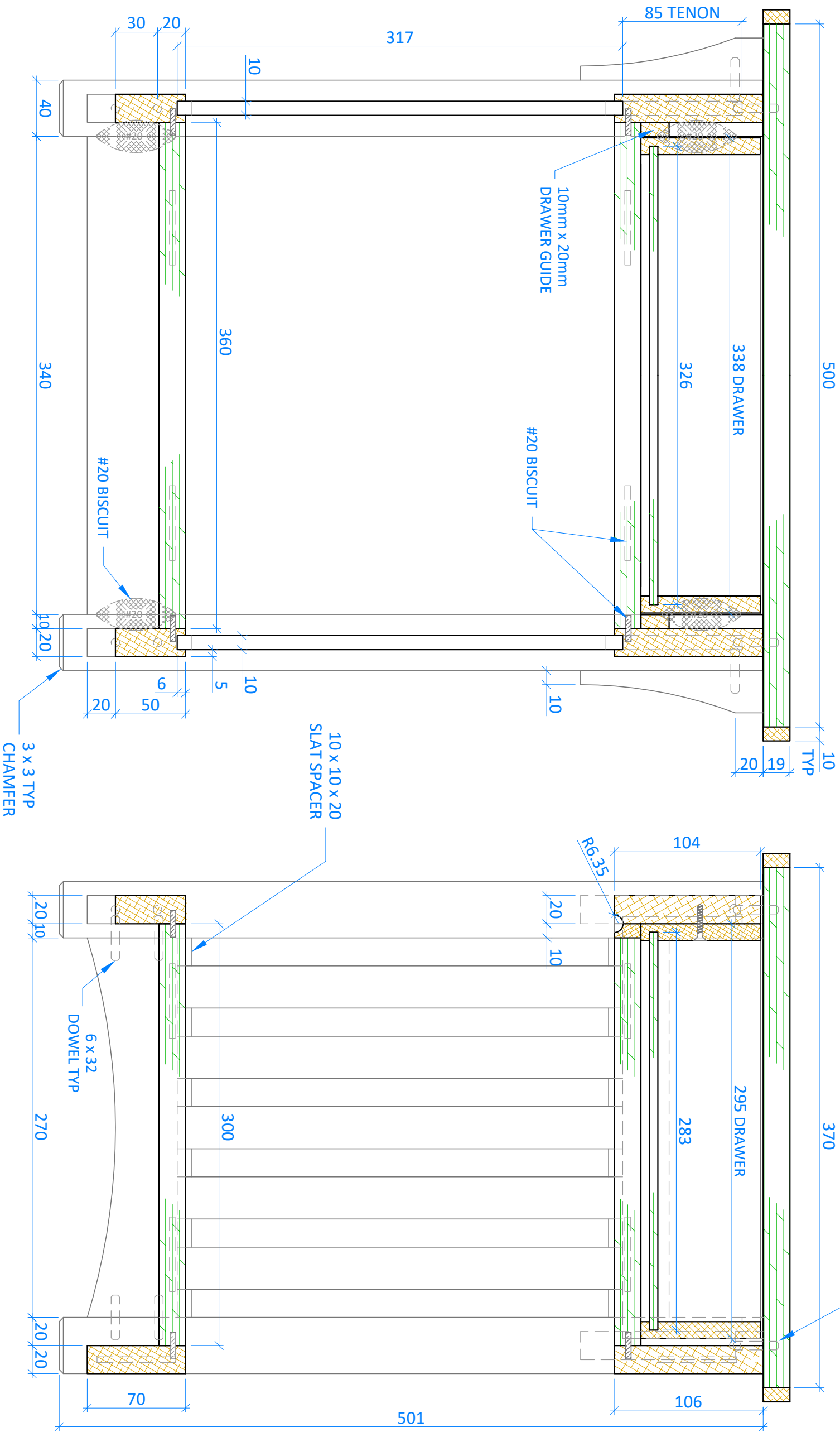
**DRAWN BY:**

HB

**SHEET:**

**1 of 4**

NOTE:  
DRAWINGS FOR TRAINING PURPOSES ONLY  
COMPETITION PROJECT MAY HAVE UP TO 30% CHANGE



SECTION A : A SCALE 1 : 3

SECTION B : B SCALE 1 : 3



NOTES:

- TOP:
  - 19 MM PARTICLE CORE PLYWOOD
  - 10 X 19 SOLID EDGING
- FRAME:
  - HARDWOOD SOLIDS AND SHEET GOODS
- FRAME JOINERY:
  - MORTISE & TENON, DOWELS AND BISCUITS
  - INTERIOR SHELVES NOTCHED FOR LEGS AS REQUIRED

PROJECT:

Arts and Crafts Table

LEVEL:

High School

Drawing Description

Sections A : A & B : B

DATE:

Feb 29, 2024

SCALE:

As Noted

DRAWN BY:

HB

SHEET:

2 of 4

**NOTES:**  
 - SLAT SPACERS SUPPLIED TO SIZE - 10 X 10 X 20,  
 + 1 EXTRA LENGTH FOR FITTING ENDS IF REQUIRED,  
 GLUE IN PLACE  
 - SHELVES NOTCHED FOR LEGS AS REQUIRED

**PROJECT:**  
 Arts and Crafts  
 Table

**LEVEL:**  
 High School

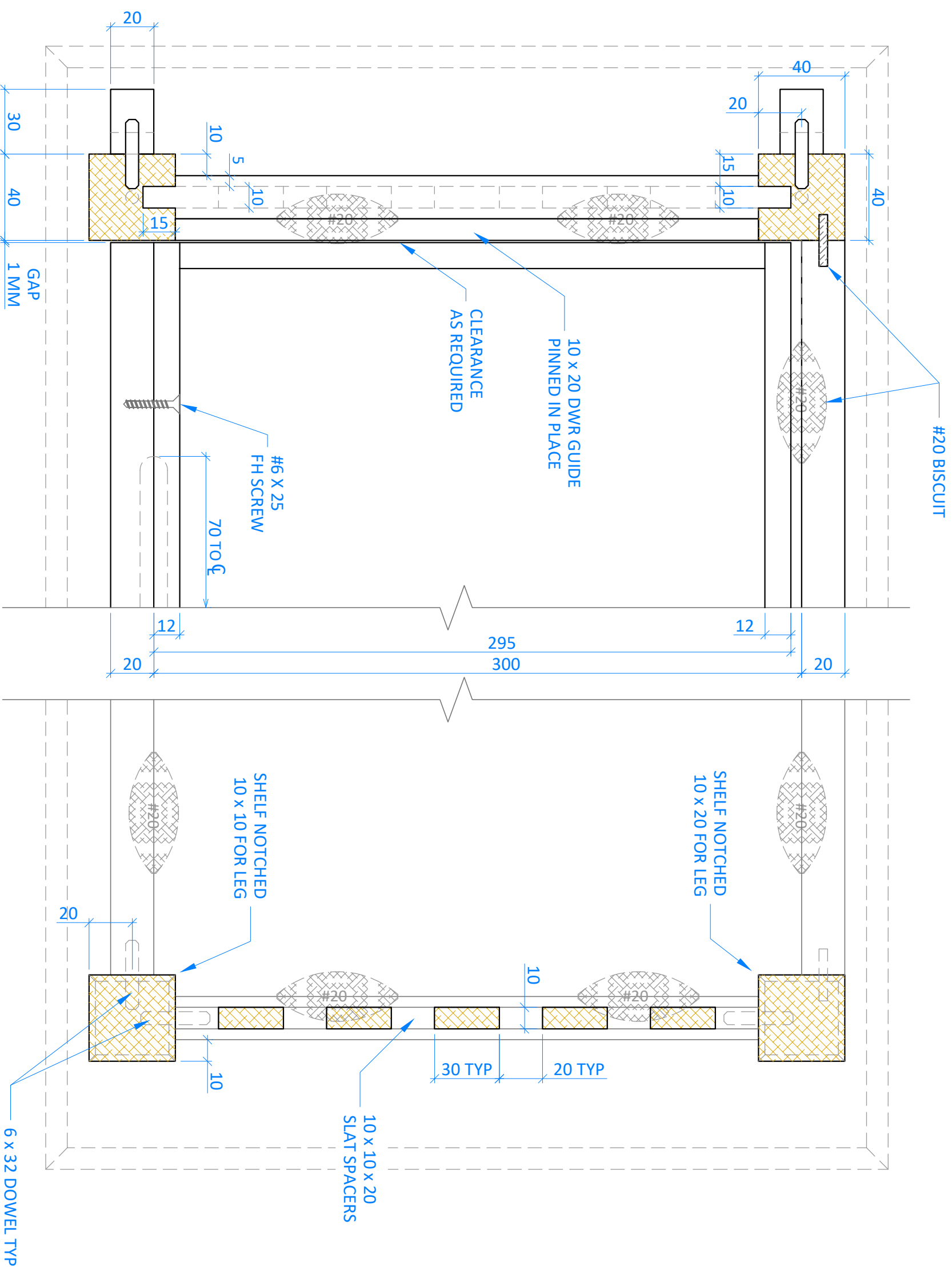
**Drawing Description**  
 Section C : C  
 (Offset Section)

**DATE:**  
 Feb 29, 2024

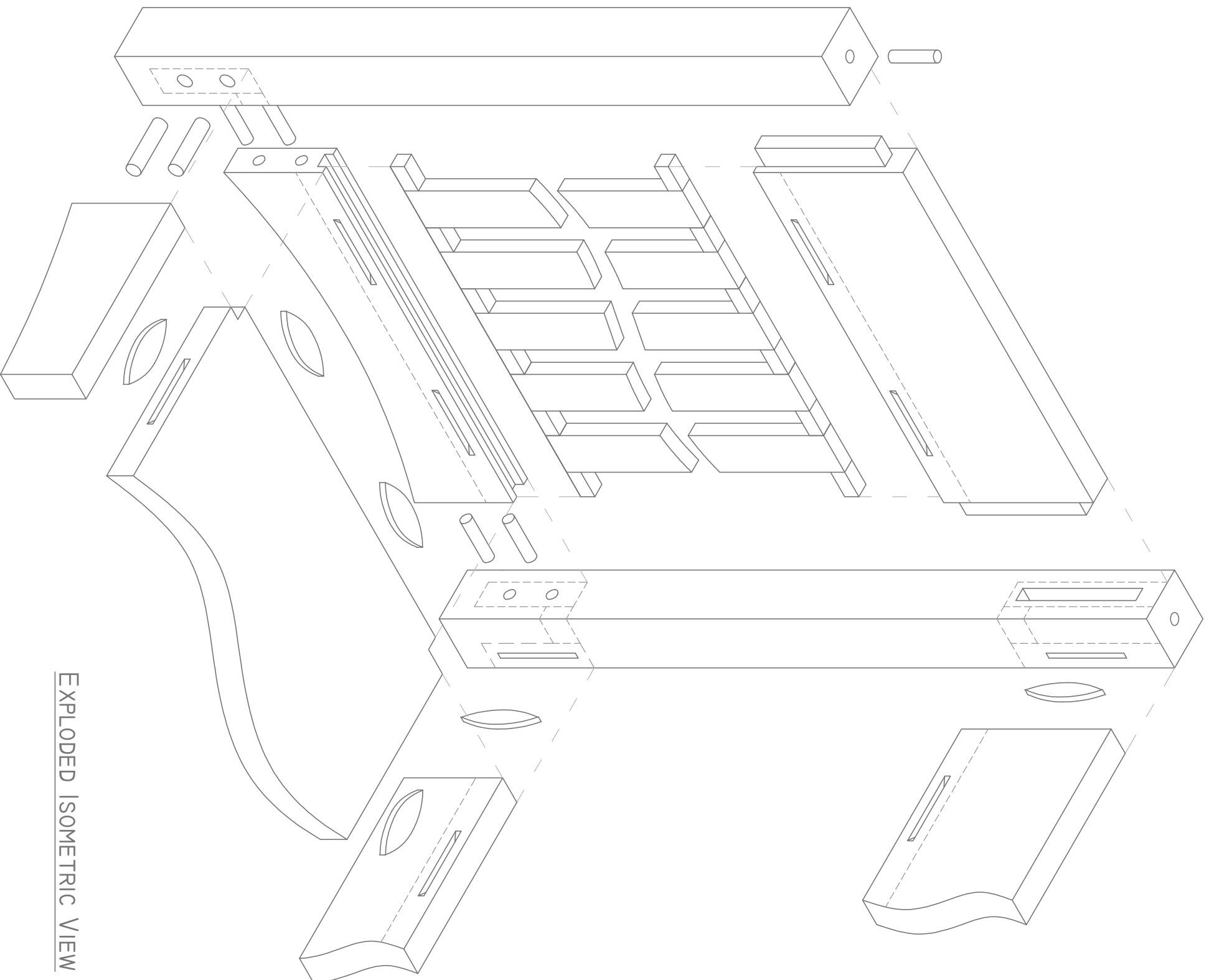
**SCALE:**  
 As Noted

**DRAWN BY:**  
 HB

**SHEET:**  
 3 of 4



**NOTE:**  
 DRAWINGS FOR TRAINING PURPOSES ONLY  
 COMPETITION PROJECT MAY HAVE UP TO 30% CHANGE



EXPLODED ISOMETRIC VIEW SCALE 0.3 : 1

**NOTE:**  
 DRAWINGS FOR TRAINING PURPOSES ONLY  
 COMPETITION PROJECT MAY HAVE UP TO 30% CHANGE



- NOTES:**
- SLAT SPACERS SUPPLIED TO SIZE - 10 X 10 X 20,
  - + 1 EXTRA LENGTH FOR FITTING ENDS IF REQUIRED, GLUE IN PLACE
  - SHELVES NOTCHED FOR LEGS AS REQUIRED

**PROJECT:**  
 Arts and Crafts Table

**LEVEL:**  
 High School

**Drawing Description**  
 Exploded Isometric

**DATE:**  
 Feb 29, 2024

**SCALE:**  
 As Noted

**DRAWN BY:**  
 HB

**SHEET:**  
 4 of 4