

Product data sheet

Specifications



Switch-disconnectors, TeSys Control, for ON/OFF, 12A(VN12), fixing by single hole Ø22.5mm, for mounting on door

VBDN12

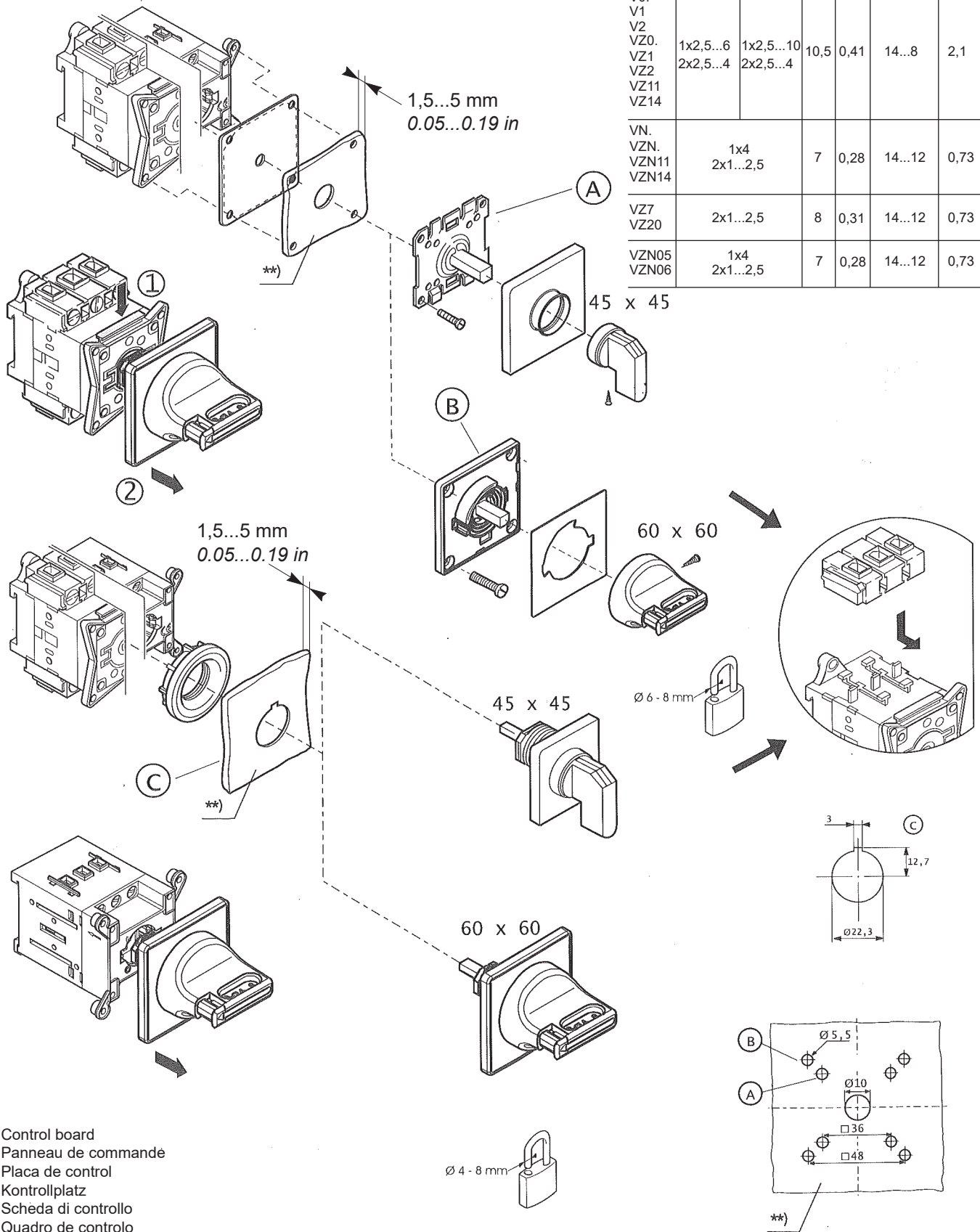
Main

Range	TeSys
product name	TeSys Mini-VARIO
Device short name	VBDN
Product or component type	Switch disconnecter
Performance level	Standard
Poles description	3P
Contacts type and composition	3 NO
Network type	AC DC
Control type	Rotary handle
Rotary handle mounting style	Direct
Handle colour	Black
Handle front plate colour	Black
Rotary handle padlocking	1 to 3 padlocks 0.2...0.3 in (4...8 mm)

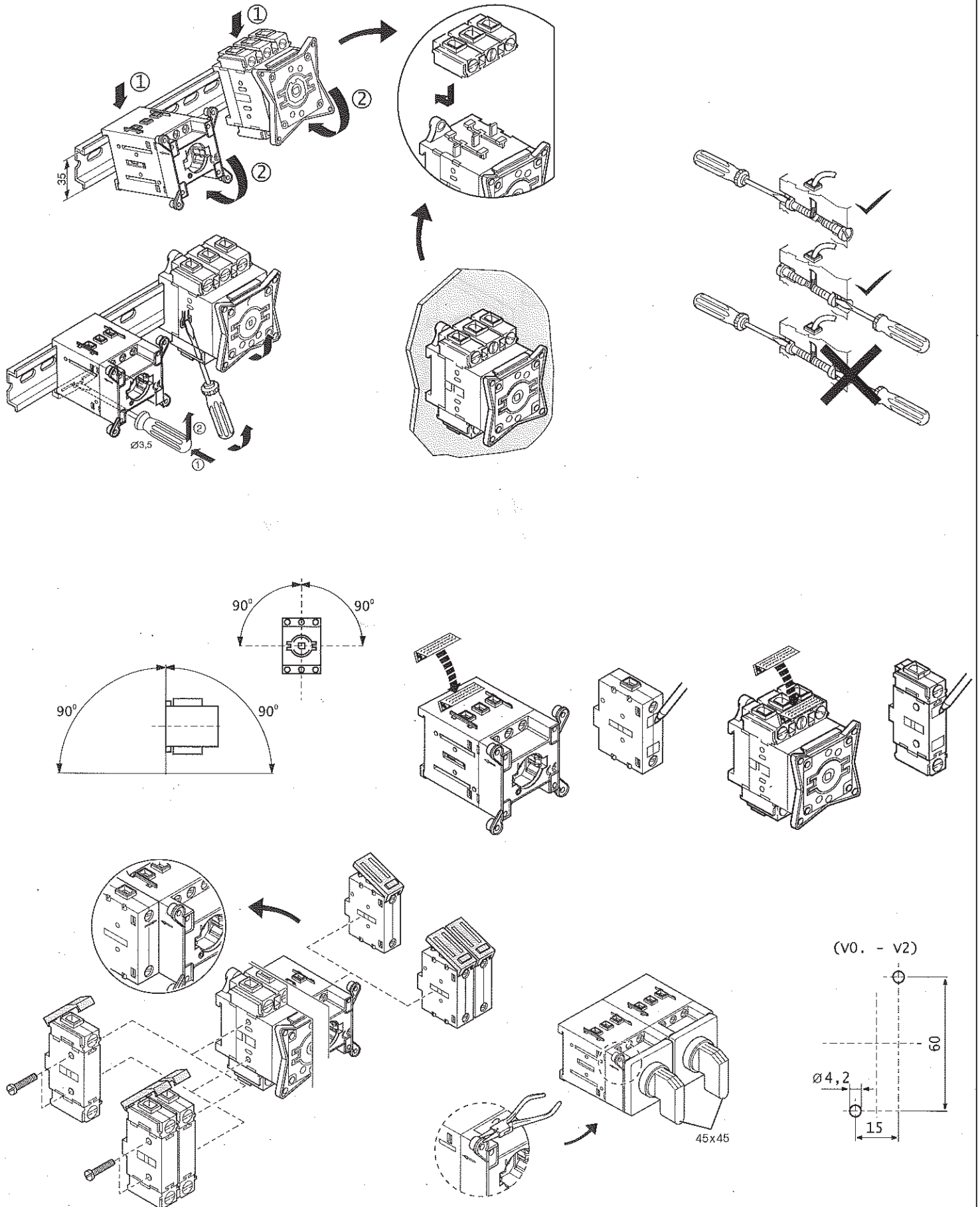
Complementary

Marking	0 - 1
Mounting support	Handle door Switch door
Fixing mode	Hole 0.9 in (22.5 mm) handle
[Ue] rated operational voltage	690 V AC 50/60 Hz
[Uimp] rated impulse withstand voltage	6 kV
[Ith] conventional free air thermal current	12 A
[Ithe] conventional enclosed thermal current	10 A
[Ie] rated operational current	8.1 A AC-23)400 V
Rated operational power in W	3 kW 230...240 V AC-23A) 4 kW 400...415 V AC-23A) 5.5 kW 500 V AC-23A) 7.5 kW 690 V AC-23A) 1.5 kW 230...240 V AC-3) 3 kW 400...415 V AC-3) 4 kW 500 V AC-3) 4 kW 690 V AC-3)
Intermittent duty class	30

	mm ²	mm	in	AWG (60/75°C)	N.m	lb-in.
V0. V1 V2 VZ0. VZ1 VZ2 VZ11 VZ14	1x2,5...6 2x2,5...4	1x2,5...10 2x2,5...4	10,5 0,41	14...8	2,1	18,3
VN. VZN. VZN11 VZN14	1x4 2x1...2,5		7 0,28	14...12	0,73	6,4
VZ7 VZ20	2x1...2,5		8 0,31	14...12	0,73	6,4
VZN05 VZN06	1x4 2x1...2,5		7 0,28	14...12	0,73	6,4

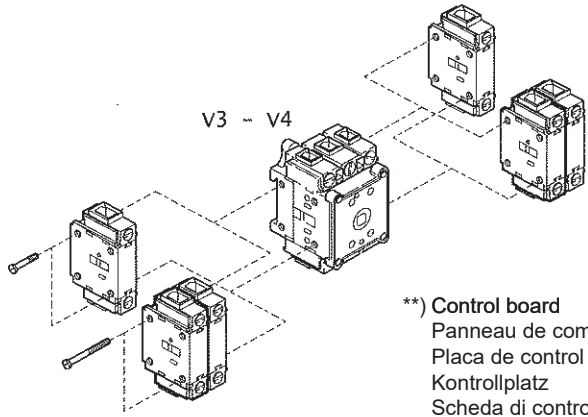
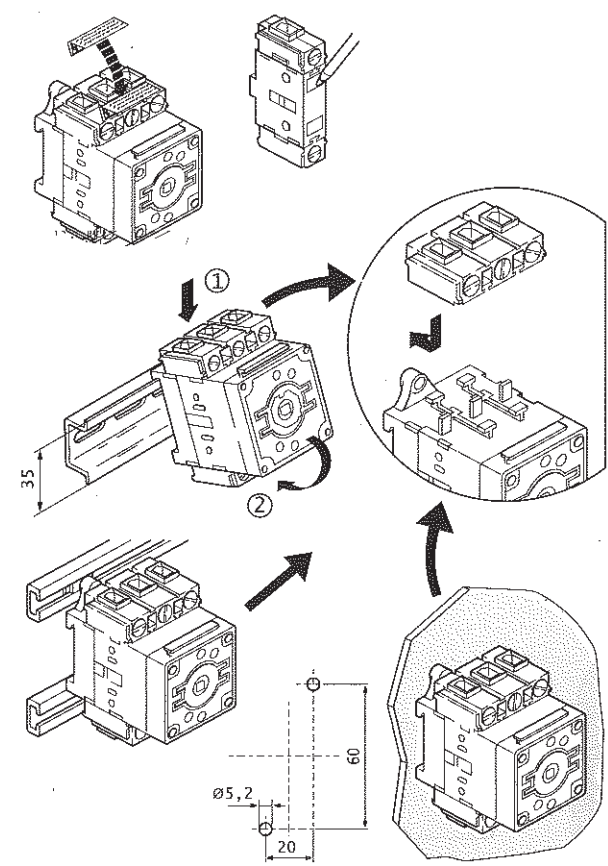
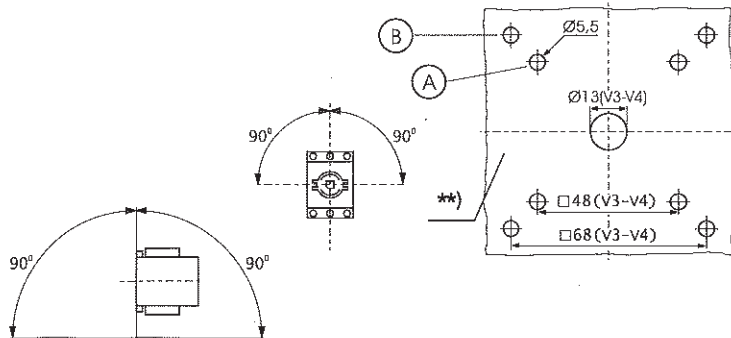
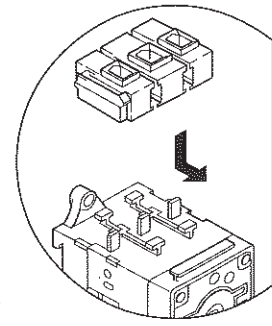
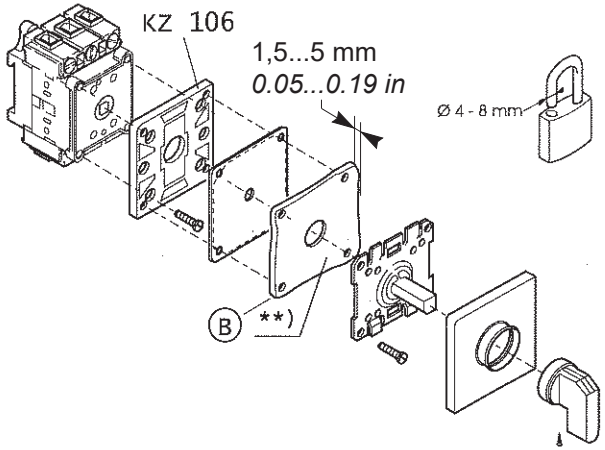
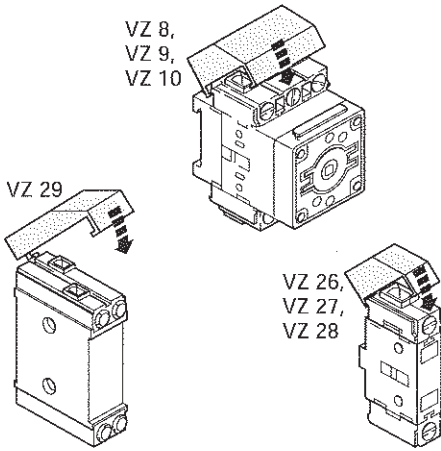
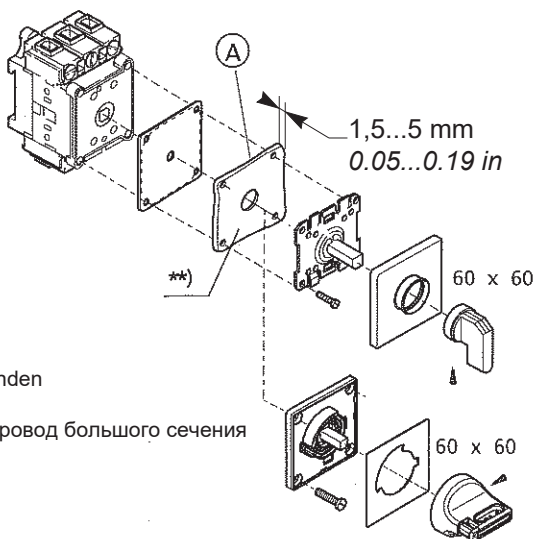


**) Control board
 Panneau de commande
 Placa de control
 Kontrollplatz
 Scheda di controllo
 Quadro de controle
 控制板
 Приборный щит



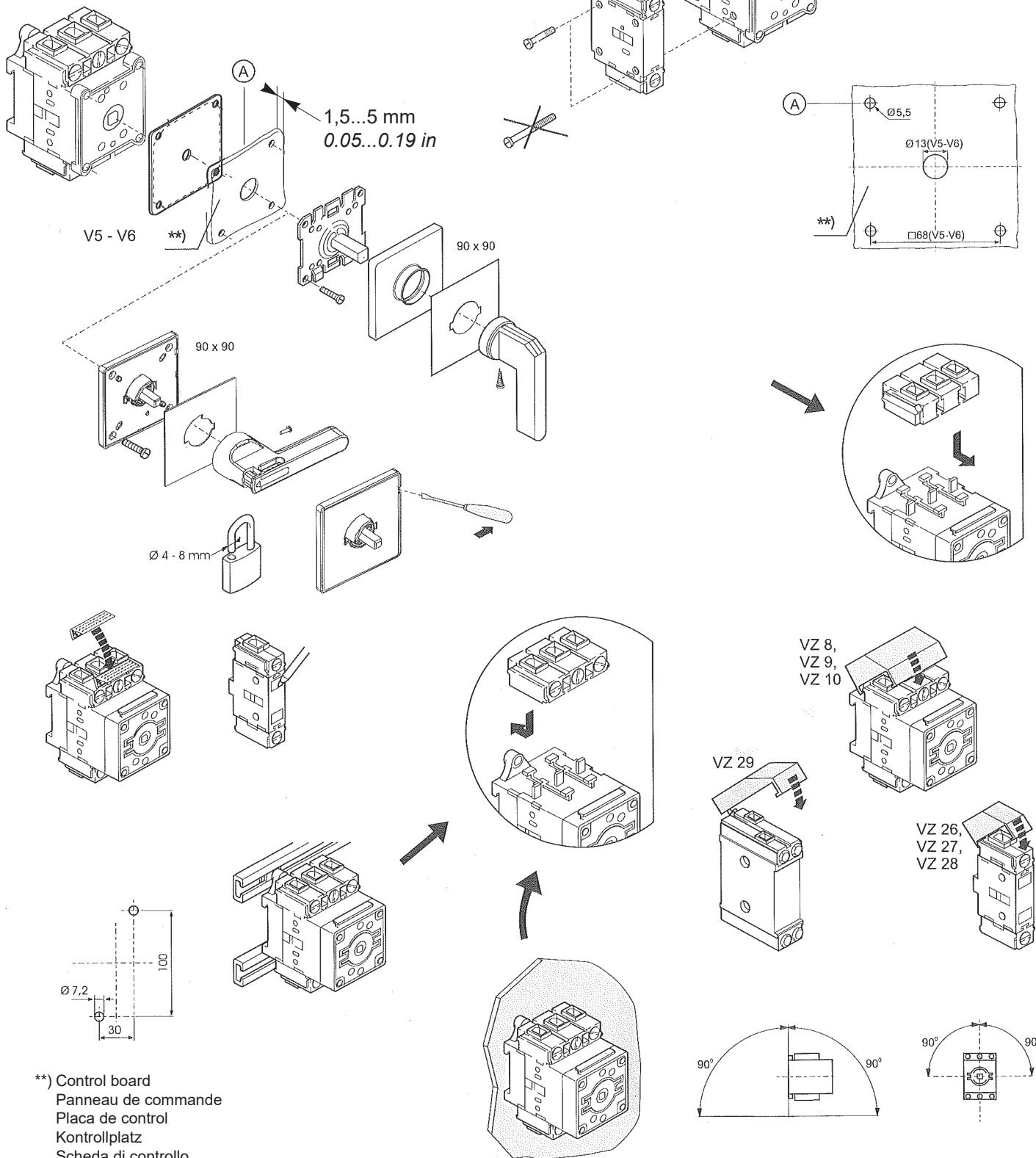
	mm ²		mm	in	AWG (60/75°C)	N.m	lb-in.
V3 V4					10*	4	35
VZ3	1x4...16	1x4...25	15,5	0,61	8	4,5	40
VZ4	2x4...10	2x4...10					
VZ12 VZ15							
VZ7 VZ20	2x1...2,5		8,0	0,31	14...12	0,8	7

* Use solid wire only / Utilisez uniquement du câble rigide
 Utilice cable sencillo solamente / Nur solidee Leiter verwenden
 Usare solo fili rigidi / Utilizar apenas o fio sólido
 仅限使用实芯电线 / Используйте только одножильный провод большого сечения



** Control board
 Panneau de commande
 Placa de control
 Kontrollplatz
 Scheda di controllo
 Quadro de controlo
 控制板
 Приборный щит

	mm ²		mm		in	AWG (60/75°C)	N.m	lb-in.
V5 V6 VZ13 VZ16 VZ15	1x10...70, 2x10...35,	1x10...95, 2x10...35,	21	0,83		8...2	22,6	200
VZ7 VZ20	2x1...2,5		8	0,31		14...12	0,8	7



**) Control board
 Panneau de commande
 Placa de control
 Kontrollplatz
 Scheda di controllo
 Quadro de controllo
 控制板
 Приборный щит