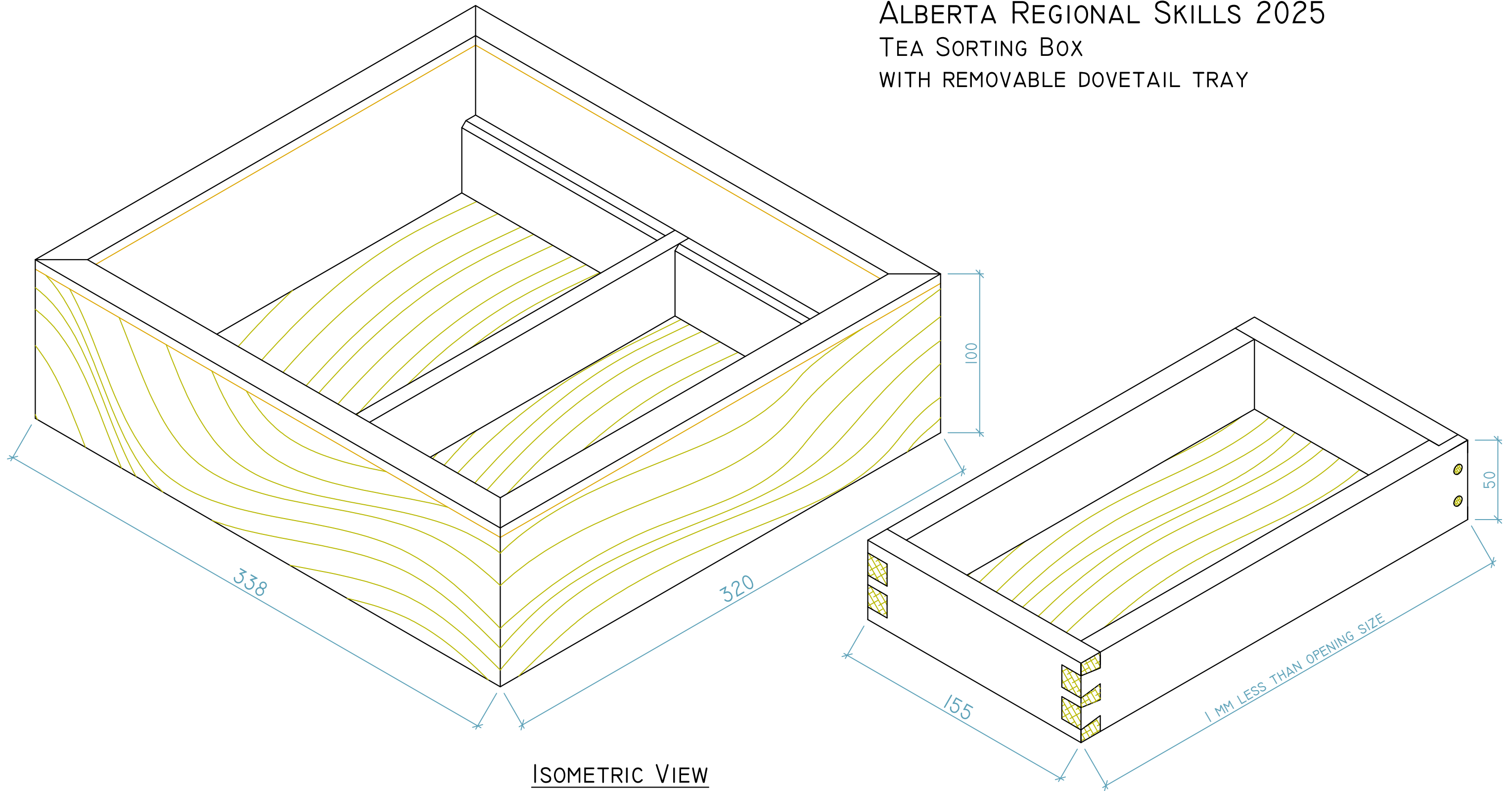


ALBERTA REGIONAL SKILLS 2025
TEA SORTING BOX
WITH REMOVABLE DOVETAIL TRAY



ALBERTA REGIONAL SKILLS 2025

TEA SORTING BOX - ORTHOGRAPHIC VIEWS

NTS

Nov. 18, 2024

NOTES:

OUTER CASE - 19 MM PLYWOOD WITH SOLID EDGING

- MITRED CORNERS
- 6 MM PLY BOTTOM SET IN 6 X 12 RABBET
- BTM GLUED AND FASTENED WITH 23 GA. 1" PIN NAILS

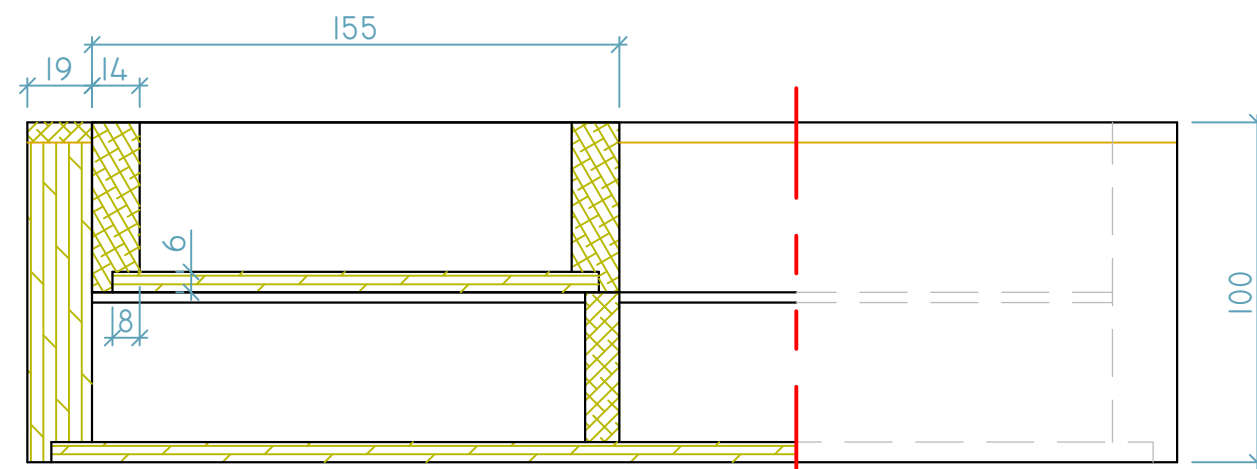
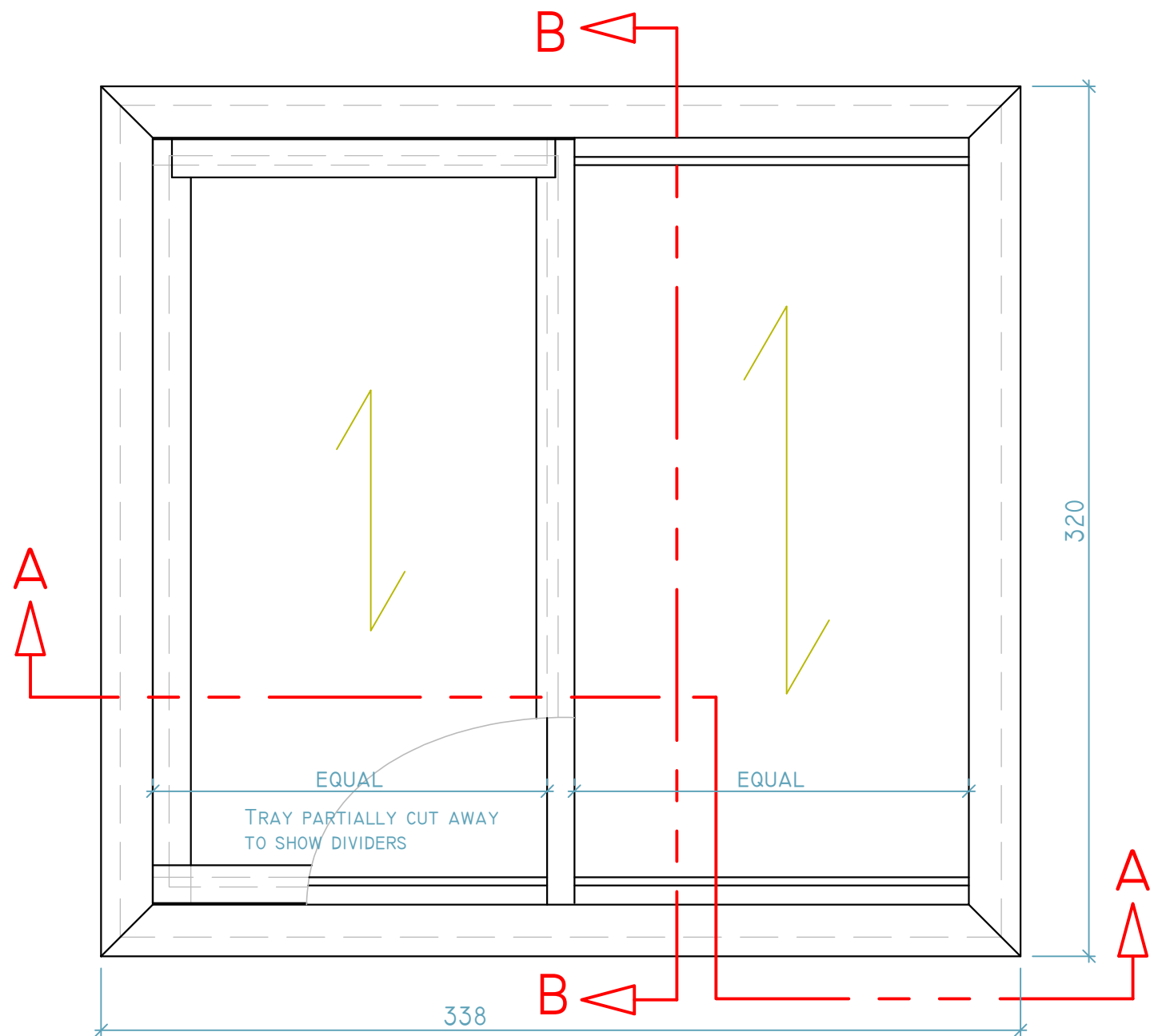
DIVIDERS - 10 MM SOLID (CHERRY OR POPLAR)

- 3 X 3 CHAMFER ON END PIECES AS SHOWN
- CHAMFERS CAN BE CUT BY HAND OR ROUTER
- END PIECES MAY BE PINNED IN
- CENTRAL DIVIDER TO BE CENTRED IN CASE

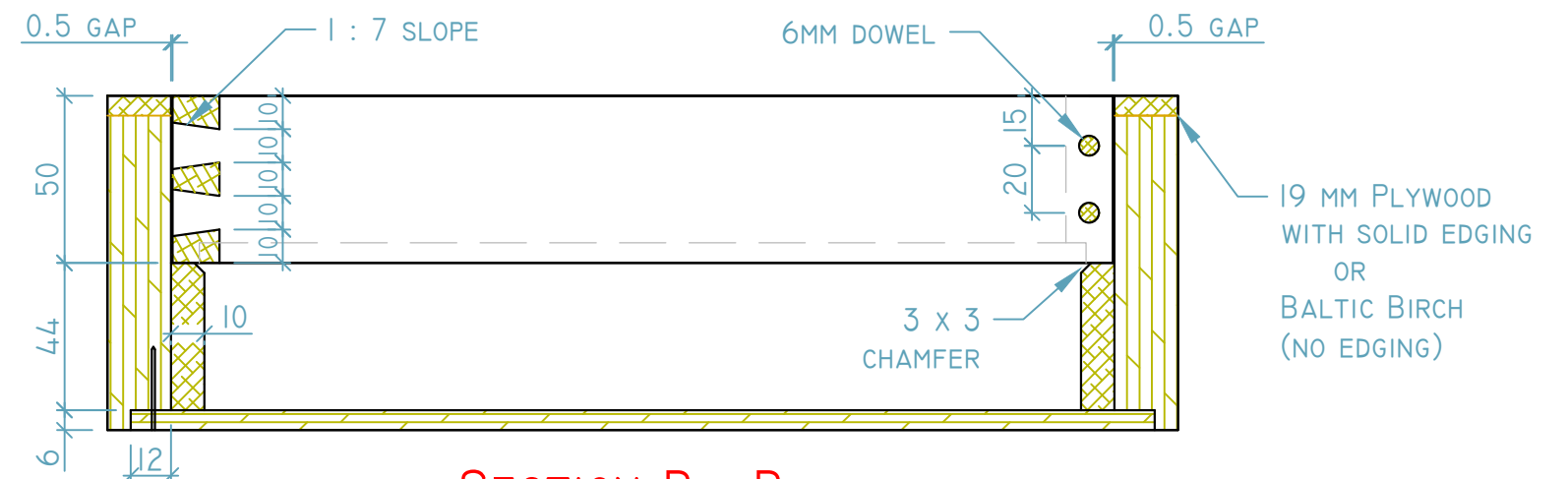
DOVETAIL TRAY - 14 MM SOLID (CHERRY OR POPLAR)

- TRAY LENGTH TO BE 1 MM LESS THAN OPENING
- 2 CORNERS HAND CUT DOVETAILED
- 2 CORNERS RABBETED AND DOWELLED
- DOVETAIL JOINTS TO BE MARKED BEFORE AND AFTER ASSEMBLY
- 6 MM PLY BOTTOM SET IN 6 X 8 RABBET, GLUED & FASTENED WITH 23 GA. 1" PINS

ALL SURFACES TO BE SANDED TO 150 GRIT
EDGES / CORNERS TO BE SLIGHTLY BROKEN



SECTION A : A



SECTION B : B