



## 2025 Central Regional Skills Canada Competition

### Contest Description

Red Deer Polytechnic (100 Donald Blvd, Red Deer)

March 15, 2025

<b>EVENT:</b> Carpentry		<b>LEVEL:</b> Secondary
<b>DURATION OF CONTEST:</b> 5.5 HOURS		<b>LOCATION:</b> RM. 804 (Carpentry Lab)
<b>COMPETITION SCHEDULE:</b>		<b>REGIONALIZED: YES</b> If YES, To compete at the Provincial Skills Canada Competition students must qualify at their Regional Skills Canada Competition.
REGISTRATION	7:30 AM – 8:00 AM	
ORIENTATION	8:00 AM – 8:30 AM	
COMPETITION	8:30 AM – 11:15 AM	
LUNCH	11:15 AM – 12:00 PM	
COMPETITION	12:00 PM – 2:45 PM	
<b>AWARDS CEREMONY INFORMATION:</b> Nova Learning Commons, Skills recognition area at 4pm		

### CONTEST INTRODUCTION

- To evaluate each contestant’s competency to organize and execute a given work assignment accurately and safely in the carpenter trade.
- To recognize outstanding excellence and professionalism.

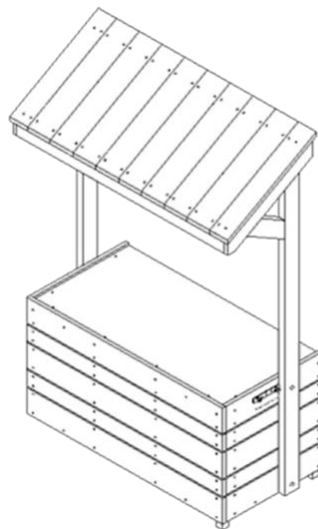
### SKILLS AND KNOWLEDGE TO BE TESTED

- Demonstrate skills and competency in interpreting prints, shop drawings, and specifications.
- Demonstrate the safe use of hand and power tools.
- Demonstrate acceptable site management, housekeeping, and best practices.
- Proficient knowledge and demonstration of skill in; framing, cutting and drilling materials, fastening techniques, joinery, determining angles & elevations, trim & finishing.
- Quality, accuracy and thoroughness of workmanship.
- Ability to complete an assignment within a specified time frame.

### PROJECT DESCRIPTION

Please see the attached practice plans released along with the contest description in addition to this isometric image. On the day of the Regional Competition, competitors will be provided the actual Competition Plans which may have been changed up to 30% from the practice set.

**Lemonade Stand**



**EQUIPMENT & MATERIALS**

**Equipment and Materials Supplied by Competitors:**

Measuring/Layout	Safety	Assembly Tools	Misc.
Pencils	CSA Approved Footwear (green triangle standard), Eyewear and Hard Hat (Loaners will be available)	Hammer / Mallet	Non-Programmable Calculator
Metric Tape Measure		Screwdriver (Rob #2)	Carpenters Apron
Framing Square	Suitable work clothing, including gloves		2 – Quick Clamps 12" min.
Speed Square	Cutting Tools	Disassembly Tools	Compass
Combination Square	Cross-cut Hand Saw	Examples:	
Sliding T-Bevel	Wood Chisels	Glazing Bar	
Stair Gauges	Utility Knife - <b>not Olfa style</b>	Nail Claw	
Chalk / Dry line	Block and /or Smooth Plane	Wonder Bar	

**Equipment and Materials Supplied by the Committee:**

Power Tools And Equipment		Safety	Materials
Cordless Drill	Saw Horses	Dust Masks	All materials and fasteners will be provided for the project
Cordless Impact Driver	Drill Bits	CSA approved hearing protection	
Cordless Jigsaw	Driver Bits	First Aid Station	
Cordless Circular Saw	Clamps over 12"	Water Station	
	Sanding Block Sandpaper (100 grit)		



***\* No additional home-made jigs or gauges, power tools or power tools accessories will be allowed during the competition.***

***\* Any tool or equipment not contained in the scope will be inspected and approved or removed by committee member.***

***\*NO personal electronic data devices (cell phones, smartphones, tablets, etc.) will be allowed in the competition area.***

**SAFETY**

The health, safety and welfare of all individuals involved with Skills Canada Alberta are of vital importance. Safety is a condition of participation with Skills Canada Alberta and shall not be sacrificed for the sake of expediency. At the discretion of the judges and technical committees, any competitor can be denied the right to participate should they not have the required proper safety equipment and/or act in an unsafe manner that can cause harm to themselves or others.

**Safety Requirements: MANDATORY**

- **CSA approved footwear – green triangle standard (Competitor)**
- **CSA approved hard hat (Provided by Competitor, loaner may be available)**
- **CSA approved safety glasses (Provided by Competitor, loaner may be available) (Prescription glasses must conform to CSA regulations.)**
- **CSA approved hearing protection (Provided by Committee)**
- **Suitable work clothing (Competitor)**
- **Competitors are required to follow all industry safety standards during the competition.**

**Clothing Requirement**

It is important that competitors present a professional image and appearance. Appropriate work clothing must be worn to compete. All clothing must be neat and clean and free of rips and tears. Casual wear such as shorts will not be permitted. No loose-fitting clothes or jewelry. Competitor may bring work gloves to wear but are not mandatory.

**JUDGING CRITERIA**

• SAFETY/CLEAN-UP	15%
• DIMENSIONS	30%
• CONSTRUCTION	35%
• SALABILITY	10%
• MATERIAL USAGE	10%
<hr/>	
OVERALL TOTAL	100%



## TIE BREAKING PROCESS

If two or more participants are tied in points at the end of the competition, the following tie breaking procedure will be used:

- Step 1.** Participant with the highest Safety score.
- Step 2.** Participant who has completed the project in the least amount of time.
- Step 3.** Re-evaluate the projects with different judges.

## RELATED CAREER AND TECHNOLOGY STUDIES COURSES

Descriptions of all modules are located at the following website:

[https://education.alberta.ca/media/160534/con\\_course\\_summaries\\_old.pdf](https://education.alberta.ca/media/160534/con_course_summaries_old.pdf)

- CRA 3407 HAND TOOLS THEORY
- CRA 3417 PORTABLE POWER TOOLS
- CRA 3452 SKETCHING & DRAWINGS
- CRA 3457 DRAWING PRINCIPLES
- CON 1010 CONSTRUCTION TOOLS AND MATERIALS
- CON 1070 BUILDING CONSTRUCTION
- CON 1120 PRODUCT MANAGEMENT
- CON 1130 SOLID STOCK CONSTRUCTION
- CON 2035 FRAMING SYSTEMS - FLOOR
- CON 2045 FRAMING SYSTEMS – WALL
- CON 2050 ROOF STRUCTURES 1

## ADDITIONAL INFORMATION

Lunch will be provided for all competitors. Unfortunately, all allergies may not be able to be accommodated for. Please contact the local Regional Coordinator for more information.

Parking information & venue maps:

Regulations & Policies: A copy of the Skills Canada Alberta Regional Regulations & Policies can be found at the following link: <https://skillsalberta.com/policies-and-procedures>

## REGIONAL COMPETITION COMMITTEE MEMBERS

Gary Halvorson RDP – Regional Project Lead
Larz Hirschhorn RDP
David Flynn RDP