

NOTES:  
**TOP**  
 - PLYWOOD CORE WITH 60 MM SOLID MITRED EDGING  
**UPPER CASE**  
 - MITRED PLYWOOD WITH 5 MM SOLID TOP EDGE  
**LOWER STAND**  
 - "X" FRAME LEGS WITH CROSS LAP JOINT  
 - CURVED STRETCHER WITH TUSKED THROUGH TENON

PROJECT:  
 MITRED CASE  
 WITH STAND

LEVEL:  
 HIGH SCHOOL

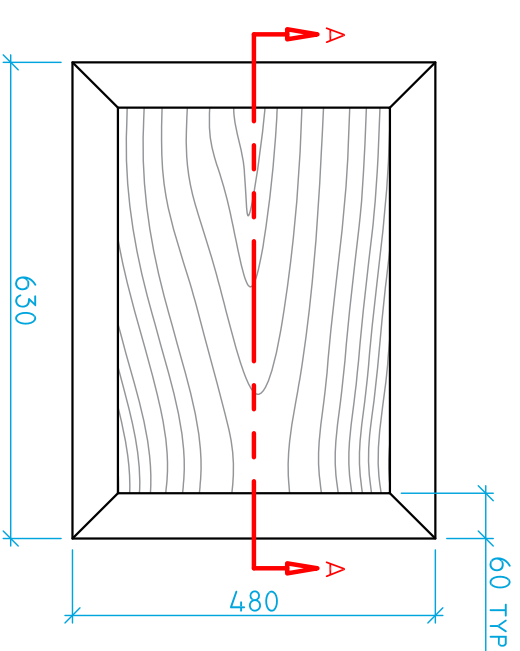
DRAWING DESCRIPTION  
 ORTHO VIEWS,  
 DETAILS 1 & 2

DATE:  
 DEC. 6, 2024

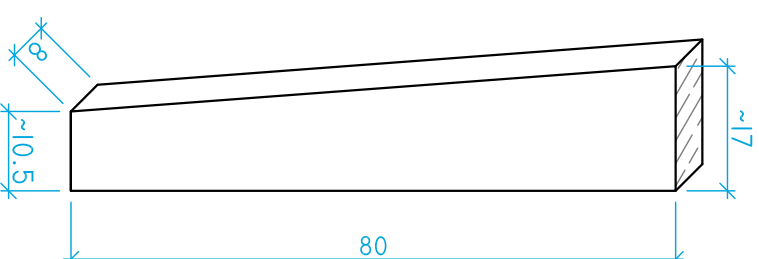
SCALE:  
 AS NOTED

DRAWN BY:  
 HB

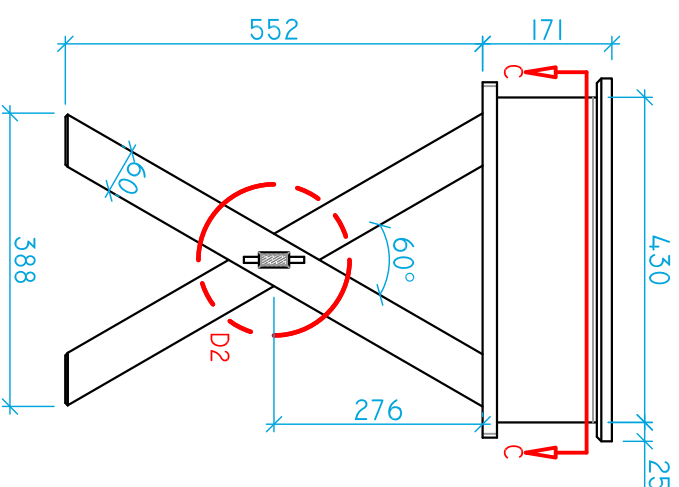
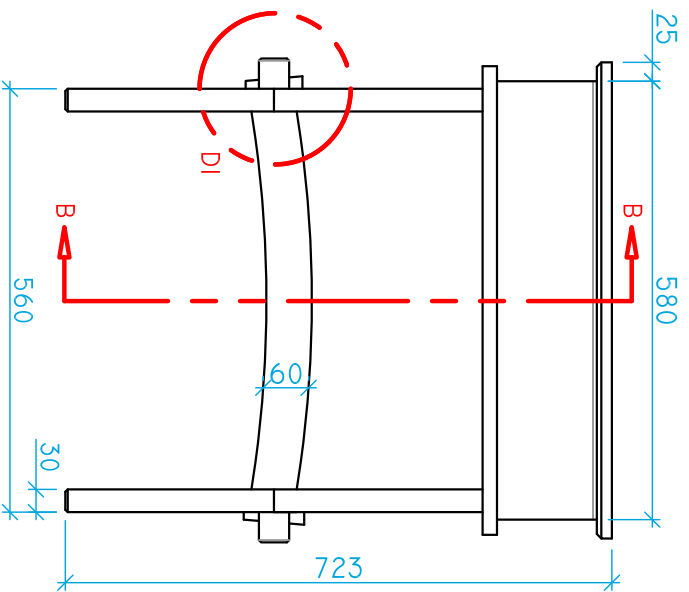
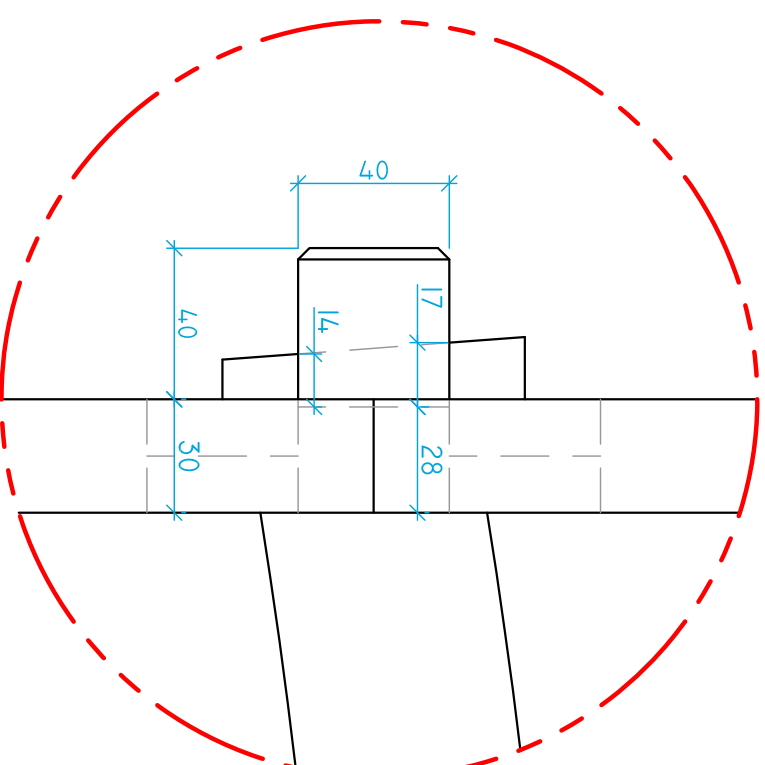
SHEET:  
 1 OF 3



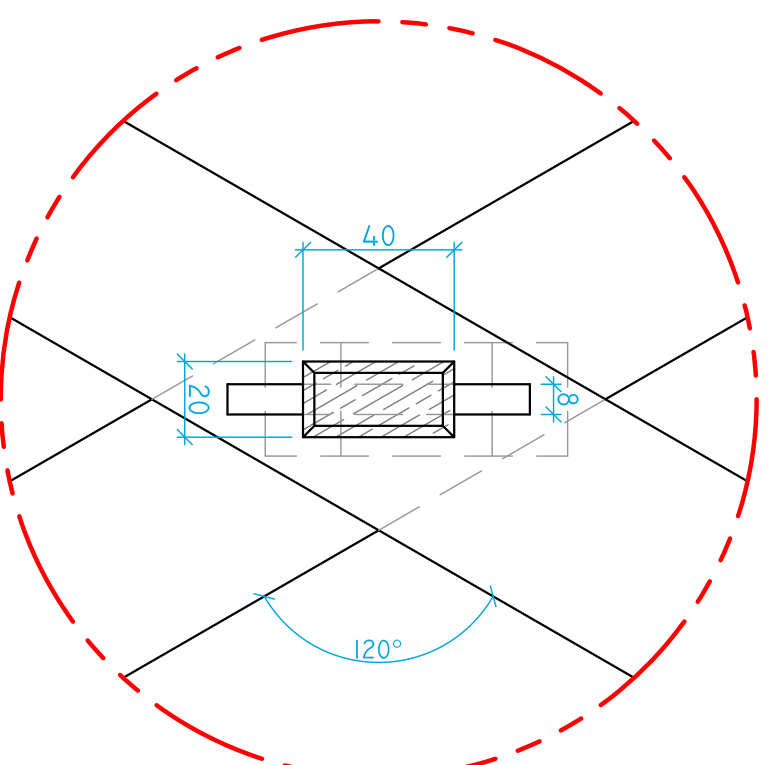
TUSK DETAIL  
 SCALE 1 : 1



DETAIL 1  
 SCALE 1 : 2



DETAIL 2  
 SCALE 1:2



NOTE:  
 DRAWINGS FOR TRAINING PURPOSES ONLY  
 COMPETITION PROJECT MAY HAVE UP TO 30% CHANGE

ORTHO VIEWS SCALE 1:10

NOTES:

- LID HINGED ON LONG SIDE NON-MORTISE LID HINGE
- 19 MM BOTTOM RABBETED IN DOVETAILED TRAY SLIDES ON 12 MM SOLID CLEATS
- PLYWOOD SUB TOP (BETWEEN CASE AND STAND) SUPPLIED EDGED TO SIZE
- CROSS LAP JOINERY ON LEG FRAMES

PROJECT:

MITRED CASE WITH STAND

LEVEL:

HIGH SCHOOL

DRAWING DESCRIPTION

SECTION A:A,  
SECTION B:B

DATE:

DEC. 6, 2024

SCALE:

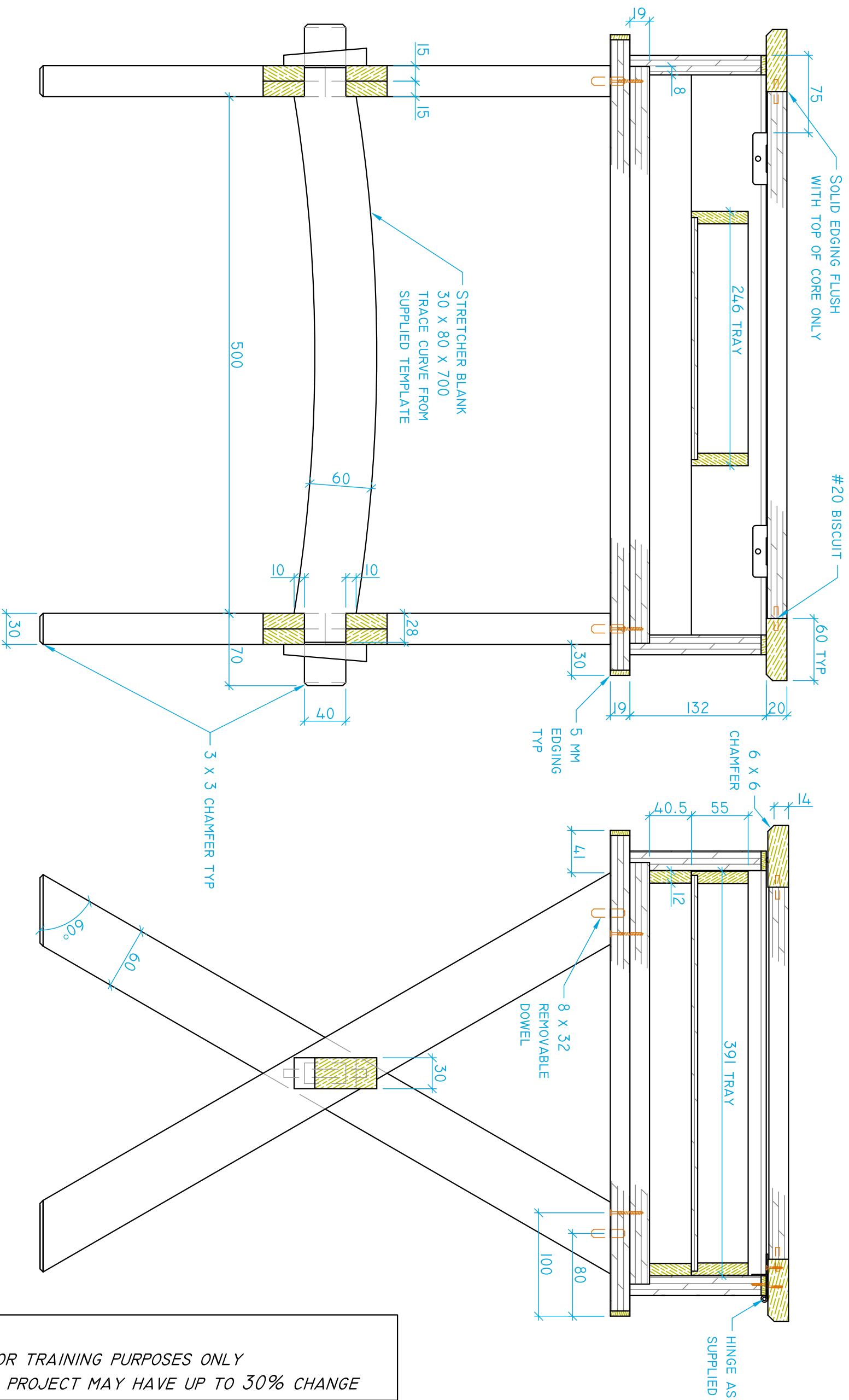
AS NOTED

DRAWN BY:

HB

SHEET:

2 OF 3



SECTION A : A SCALE 1:4

SECTION B : B SCALE 1:4

NOTE:  
DRAWINGS FOR TRAINING PURPOSES ONLY  
COMPETITION PROJECT MAY HAVE UP TO 30% CHANGE

**NOTE:**  
DRAWINGS FOR TRAINING PURPOSES ONLY  
COMPETITION PROJECT MAY HAVE UP TO 30% CHANGE



**NOTES:**  
- DOVETAIL JOINERY  
HAND TOOLS ONLY  
WILL BE MARKED BEFORE  
AND AFTER ASSEMBLY

**PROJECT:**  
MITRED CASE  
WITH STAND

**LEVEL:**  
HIGH SCHOOL

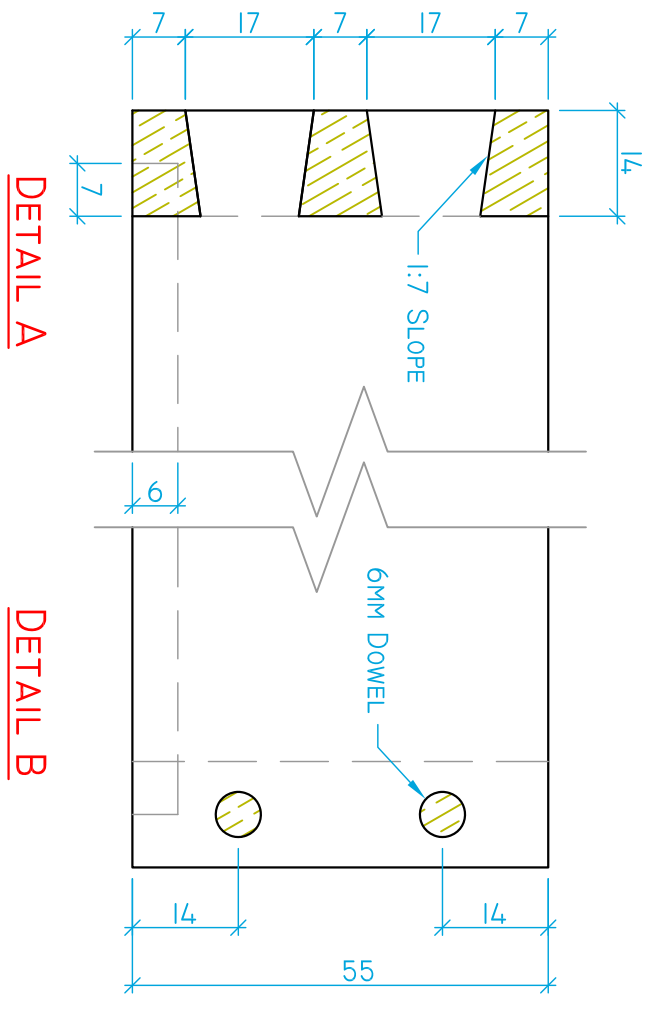
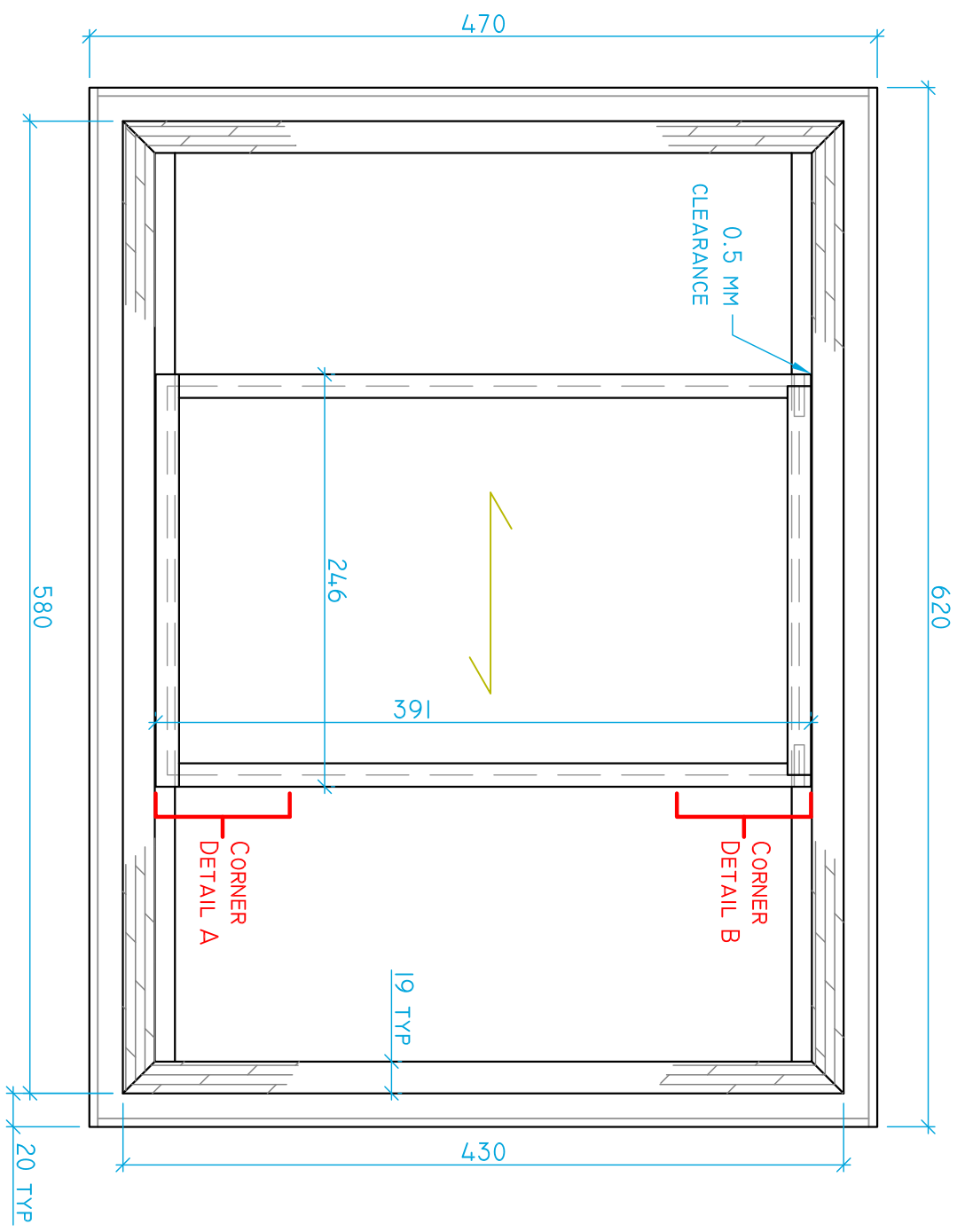
**DRAWING DESCRIPTION**  
SECTION C:C  
& TRAY DETAIL

**DATE:**  
DEC. 6, 2024

**SCALE:**  
AS NOTED

**DRAWN BY:**  
HB

**SHEET:**  
3 OF 3



**DOVETAIL TRAY  
CORNER DETAILS  
SCALE 1 : 1**

**SECTION C : C SCALE 1 : 4**