

NOTES:
TOP
 - PLYWOOD CORE WITH 60 MM SOLID MITRED EDGING
UPPER CASE
 - MITRED PLYWOOD WITH 5 MM SOLID TOP EDGE
LOWER STAND
 - "X" FRAME LEGS WITH CROSS LAP JOINT
 - CURVED STRETCHER WITH TUSKED THROUGH TENON

PROJECT:
 MITRED CASE
 WITH STAND

LEVEL:
 HIGH SCHOOL

DRAWING DESCRIPTION
 ORTHO VIEWS,
 DETAILS 1 & 2

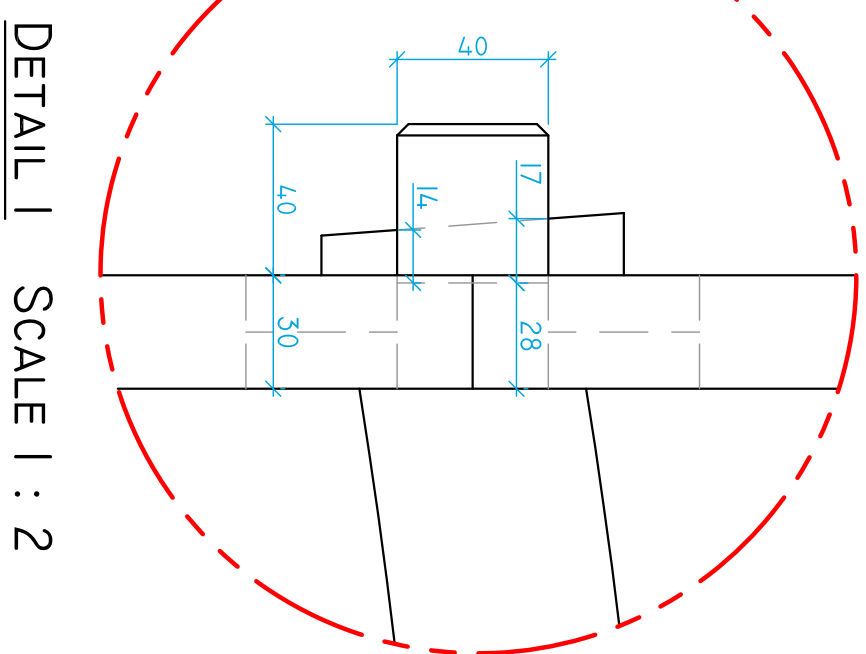
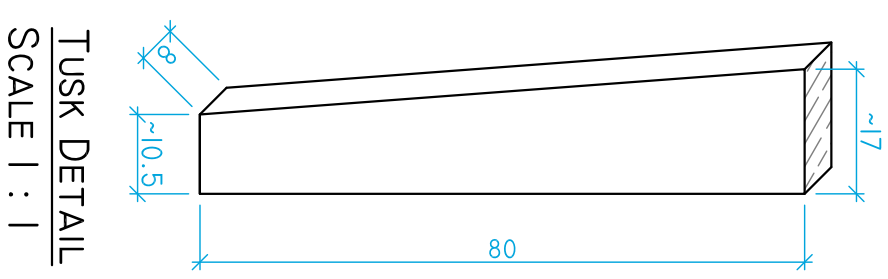
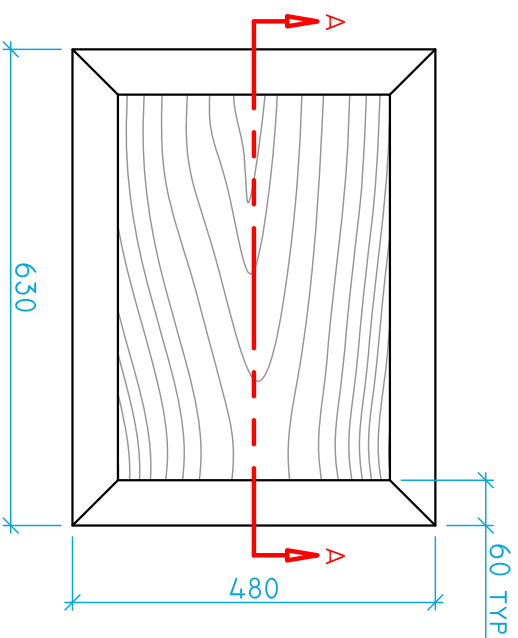
DATE:
 DEC. 6, 2024

SCALE:
 AS NOTED

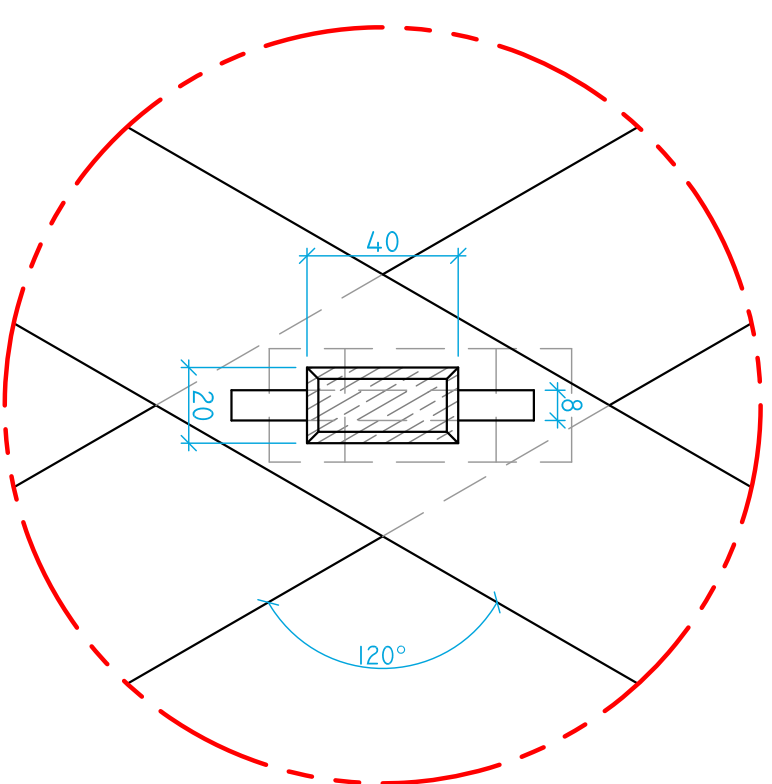
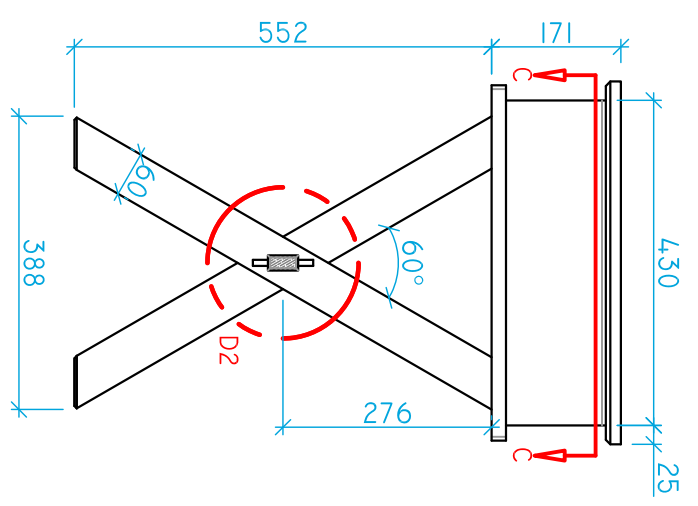
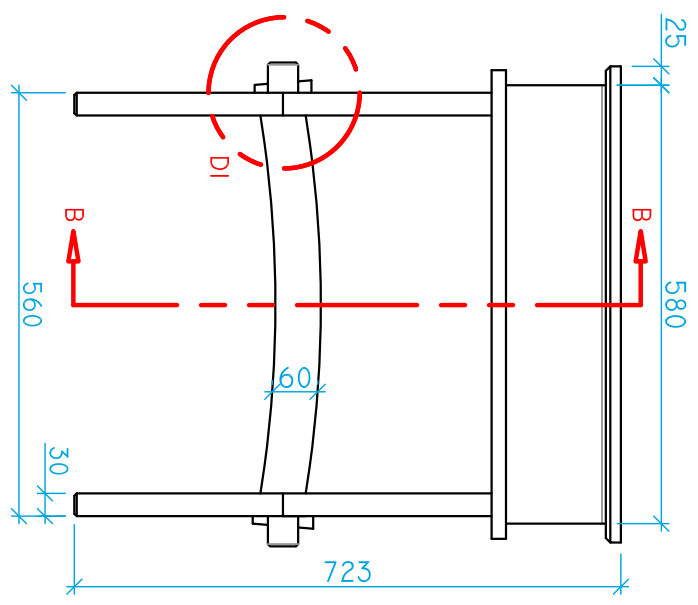
DRAWN BY:
 HB

SHEET:
 1 OF 3

NOTE:
 DRAWINGS FOR TRAINING PURPOSES ONLY
 COMPETITION PROJECT MAY HAVE UP TO 30% CHANGE



DETAIL 1 SCALE 1 : 2



DETAIL 2 SCALE 1:2

ORTHO VIEWS SCALE 1:10

NOTES:

- LID HINGED ON LONG SIDE NON-MORTISE LID HINGE
- 19 MM BOTTOM RABBETED IN DOVETAILED TRAY SLIDES ON 12 MM SOLID CLEATS
- PLYWOOD SUB TOP (BETWEEN CASE AND STAND) SUPPLIED EDGED TO SIZE
- CROSS LAP JOINERY ON LEG FRAMES

PROJECT:

MITRED CASE
WITH STAND

LEVEL:

HIGH SCHOOL

DRAWING DESCRIPTION

SECTION A:A,
SECTION B:B

DATE:

DEC. 6, 2024

SCALE:

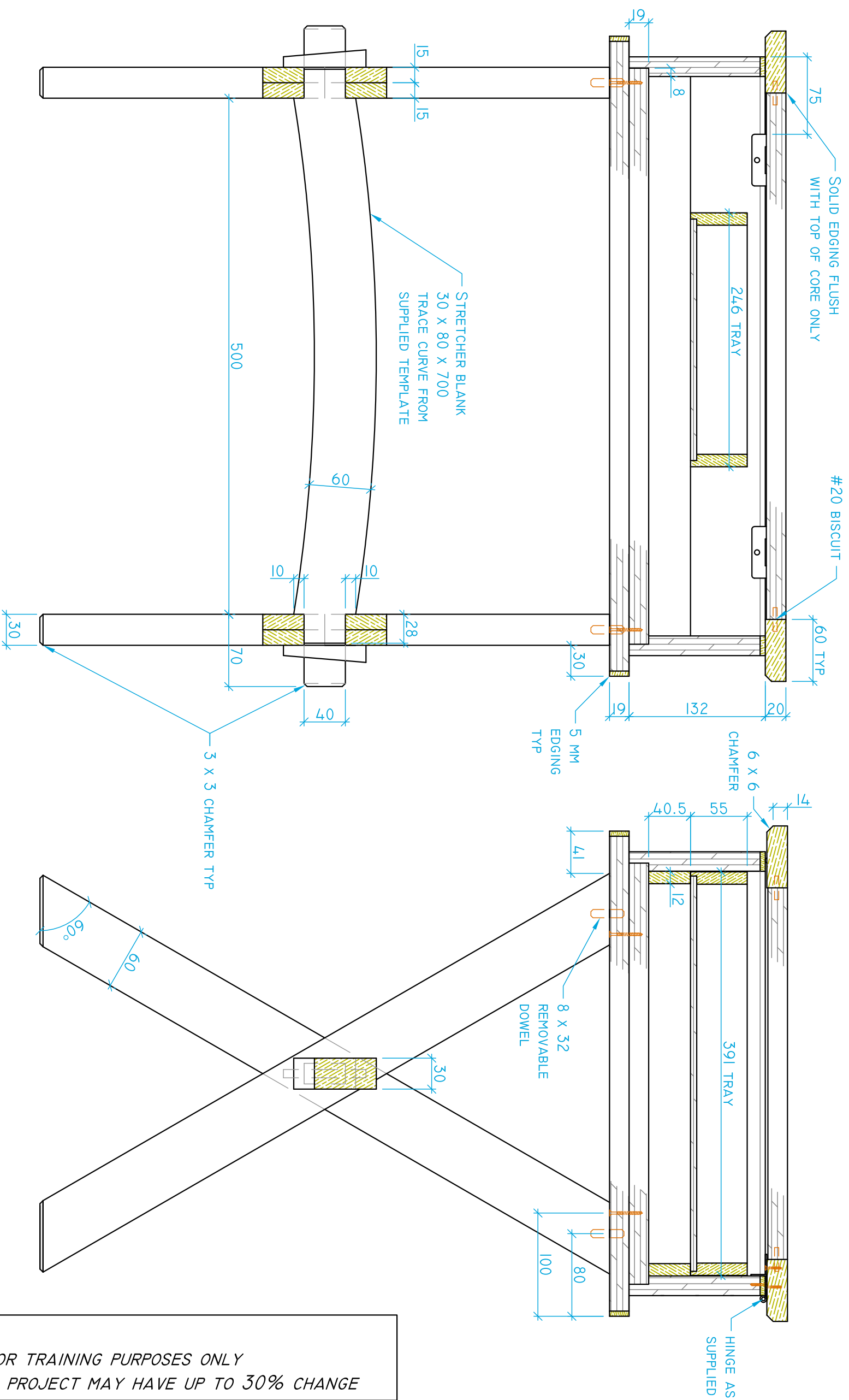
AS NOTED

DRAWN BY:

HB

SHEET:

2 OF 3



SECTION A : A SCALE 1:4

SECTION B : B SCALE 1:4

NOTE:
DRAWINGS FOR TRAINING PURPOSES ONLY
COMPETITION PROJECT MAY HAVE UP TO 30% CHANGE

NOTE:
DRAWINGS FOR TRAINING PURPOSES ONLY
COMPETITION PROJECT MAY HAVE UP TO 30% CHANGE



NOTES:
- DOVETAIL JOINERY
HAND TOOLS ONLY
WILL BE MARKED BEFORE
AND AFTER ASSEMBLY

PROJECT:
MITRED CASE
WITH STAND

LEVEL:
HIGH SCHOOL

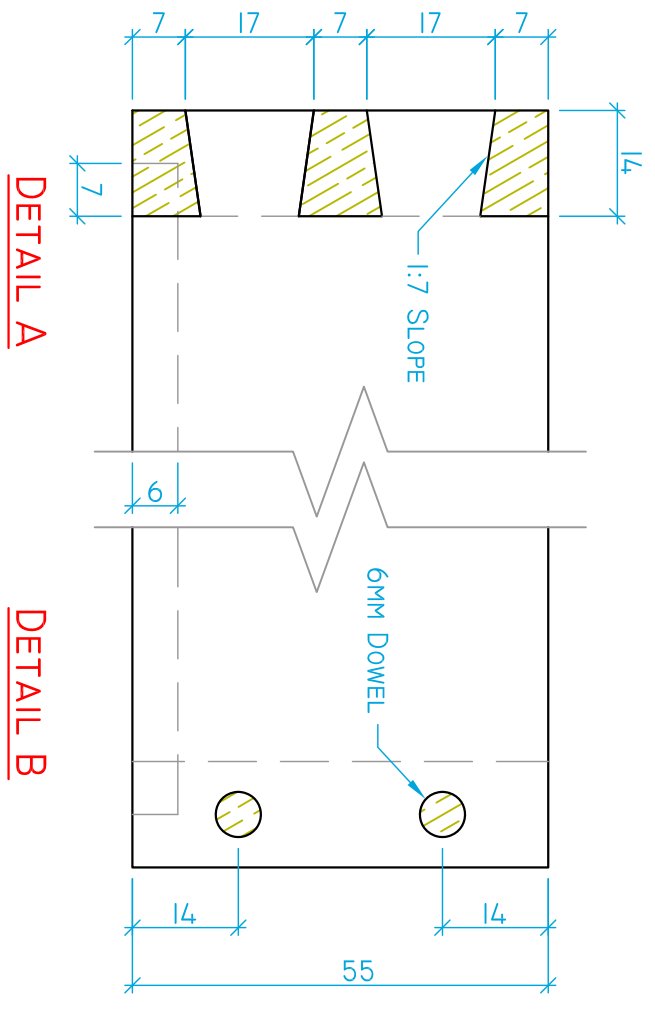
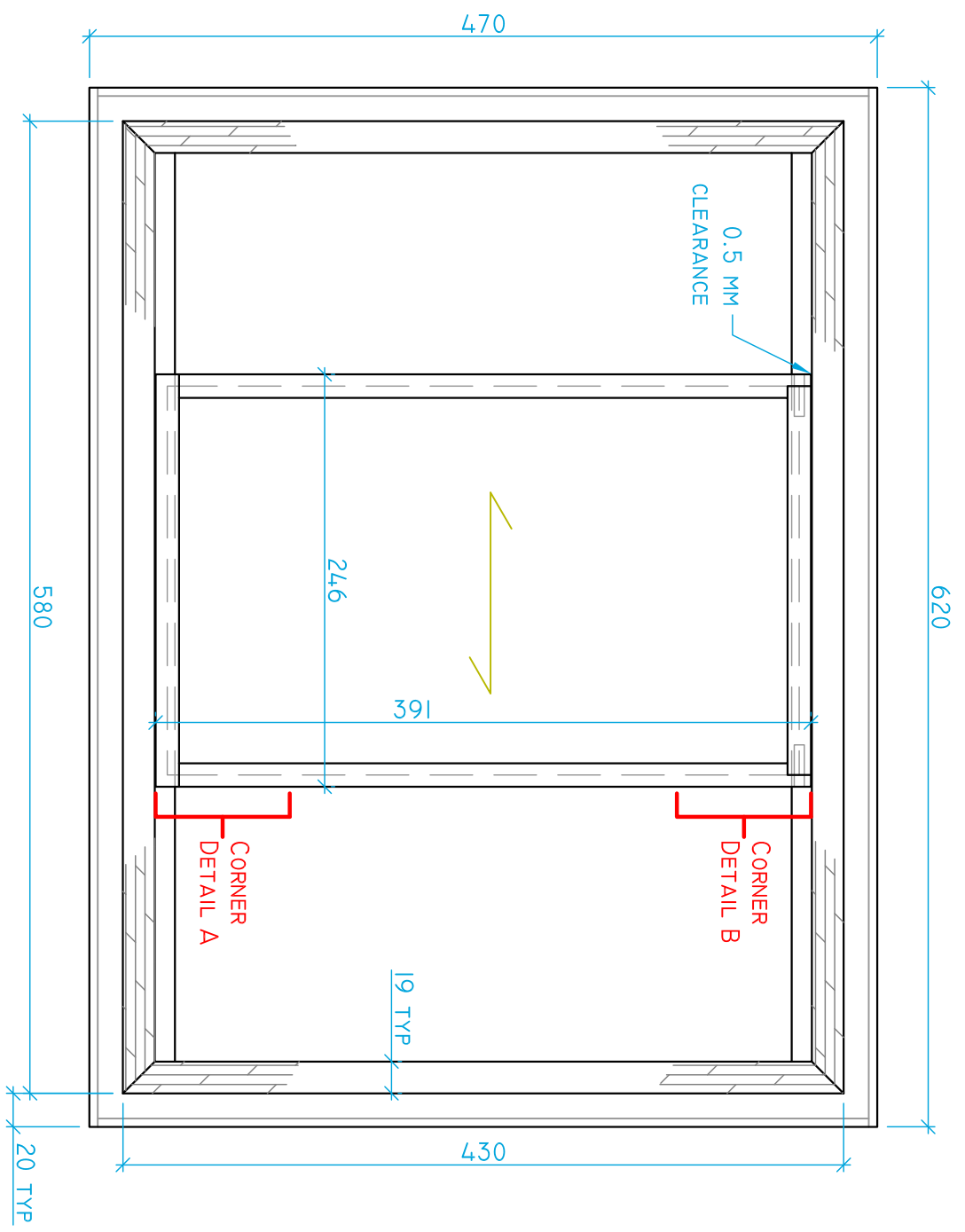
DRAWING DESCRIPTION
SECTION C:C
& TRAY DETAIL

DATE:
DEC. 6, 2024

SCALE:
AS NOTED

DRAWN BY:
HB

SHEET:
3 OF 3



**DOVETAIL TRAY
CORNER DETAILS
SCALE 1 : 1**

SECTION C : C SCALE 1 : 4