

General Notes

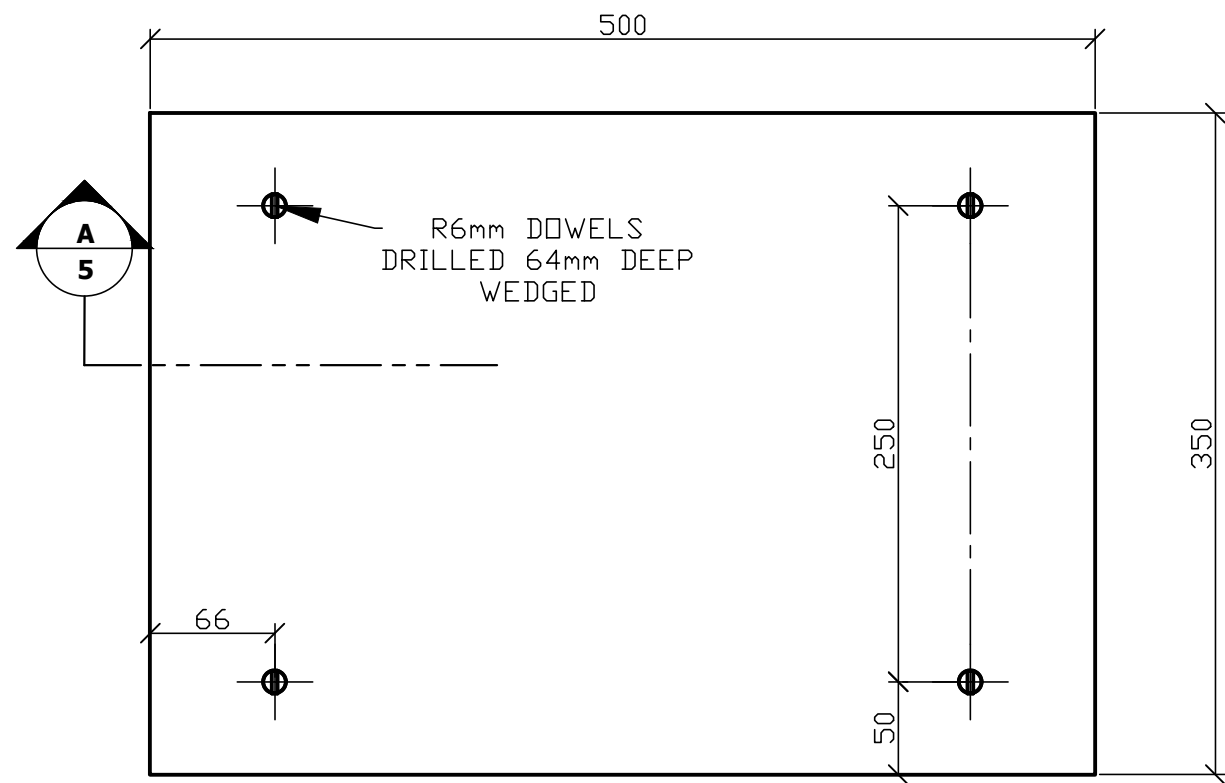
No.	Revision/Issue	Date

Skills Alberta
Joinery
Provincial
Project

Project Name

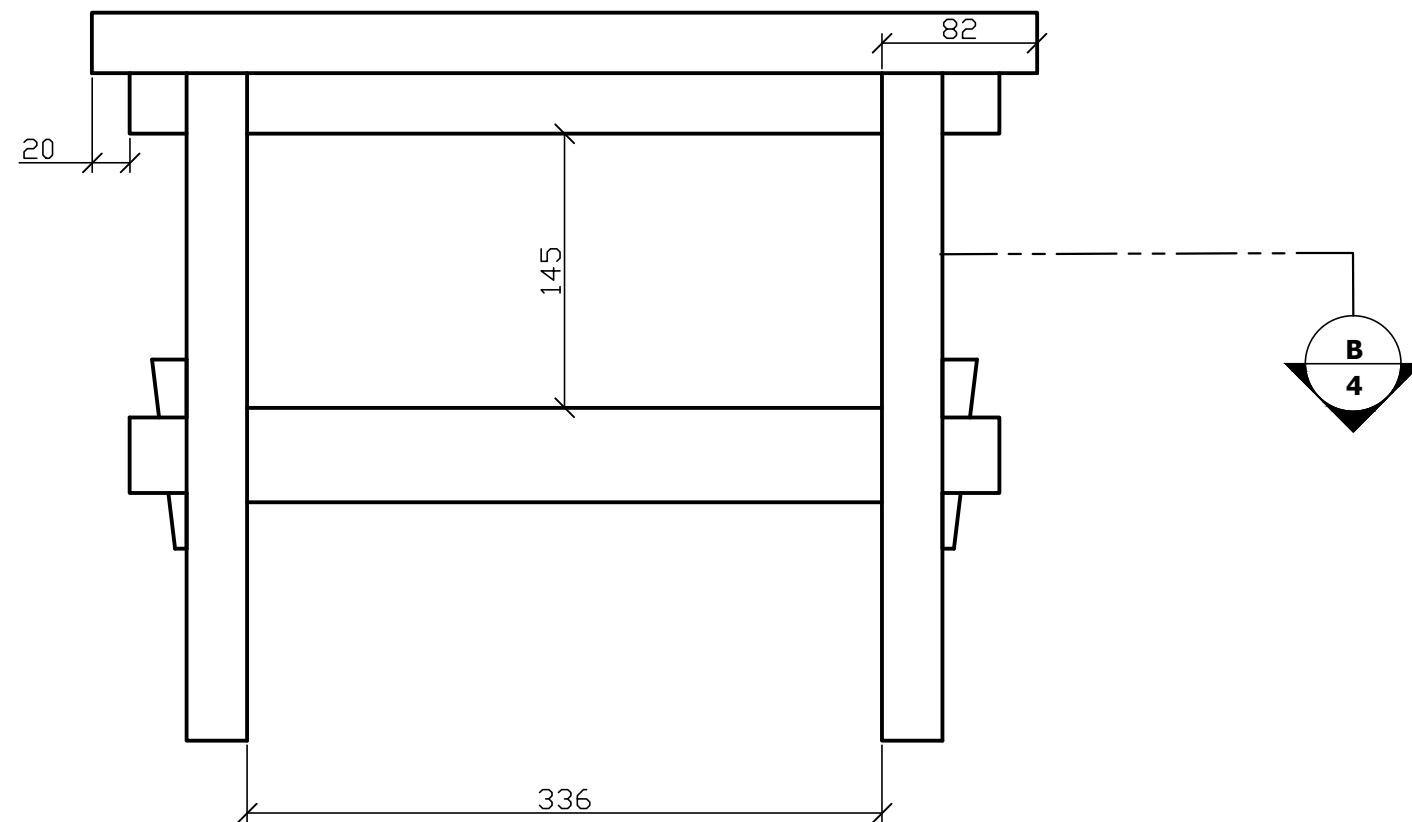
STOOL

Drawing	ISOMETRIC	Sheet 1 of 5
Date	MAY 2012	
Scale	1:3	

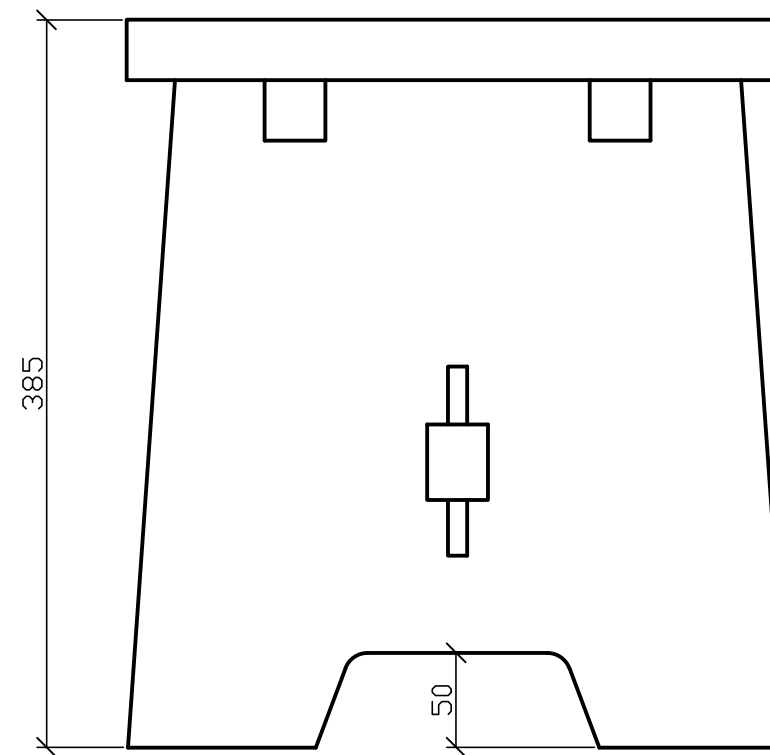


R6mm DOWELS
DRILLED 64mm DEEP
WEDGED

TOP



FRONT



RIGHT SIDE

General Notes

1. THICKNESS OF MATERIAL AS SUPPLIED
2. ALL EDGES EASED
3. GLUE USED ONLY ON DOWELS AND WEDGES

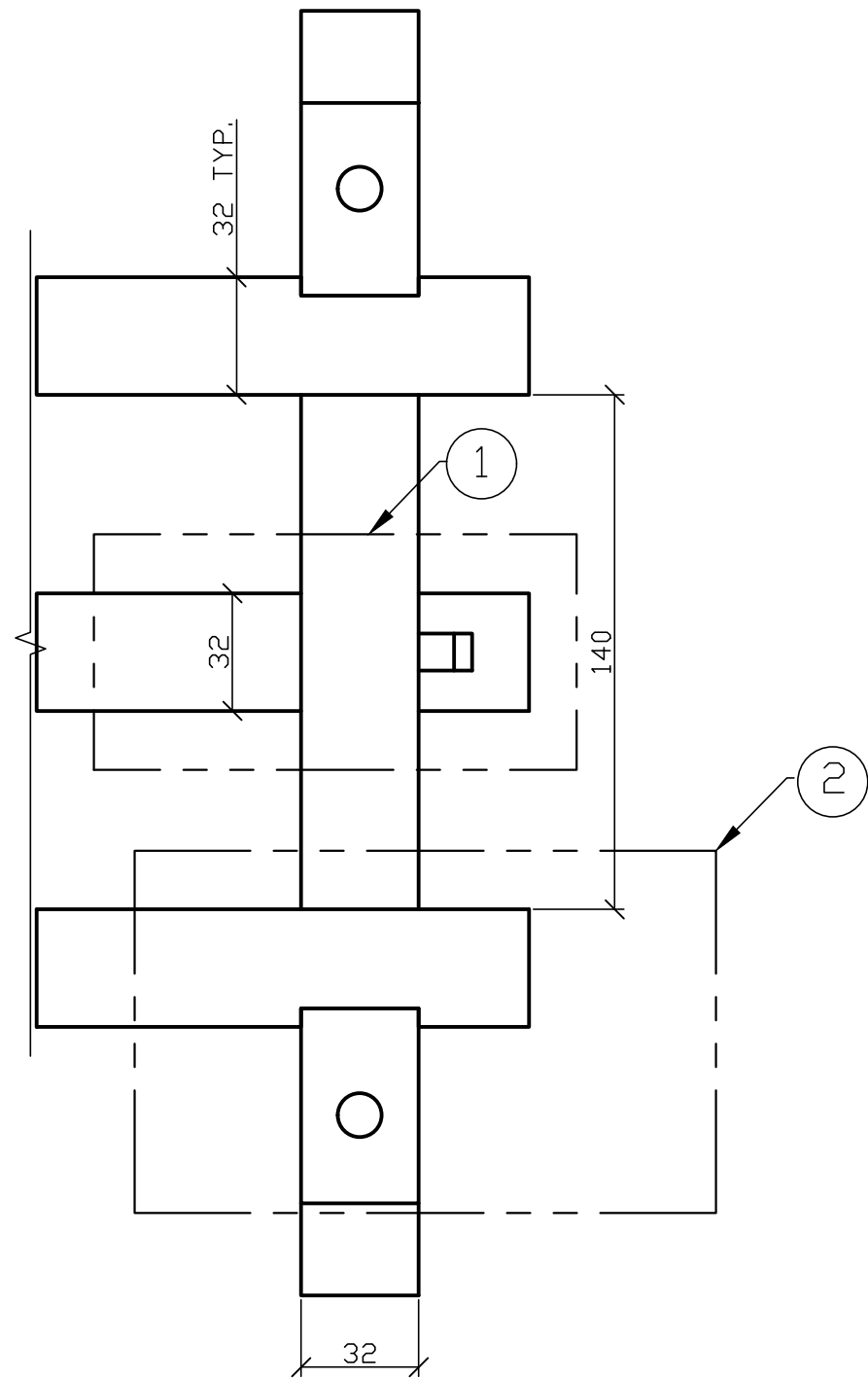
No.	Revision/Issue	Date

Skills Alberta
Joinery
Provincial
Project

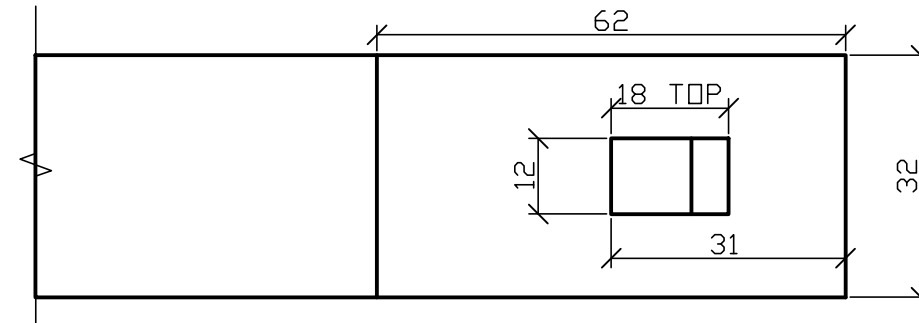
Project Name

STOOL

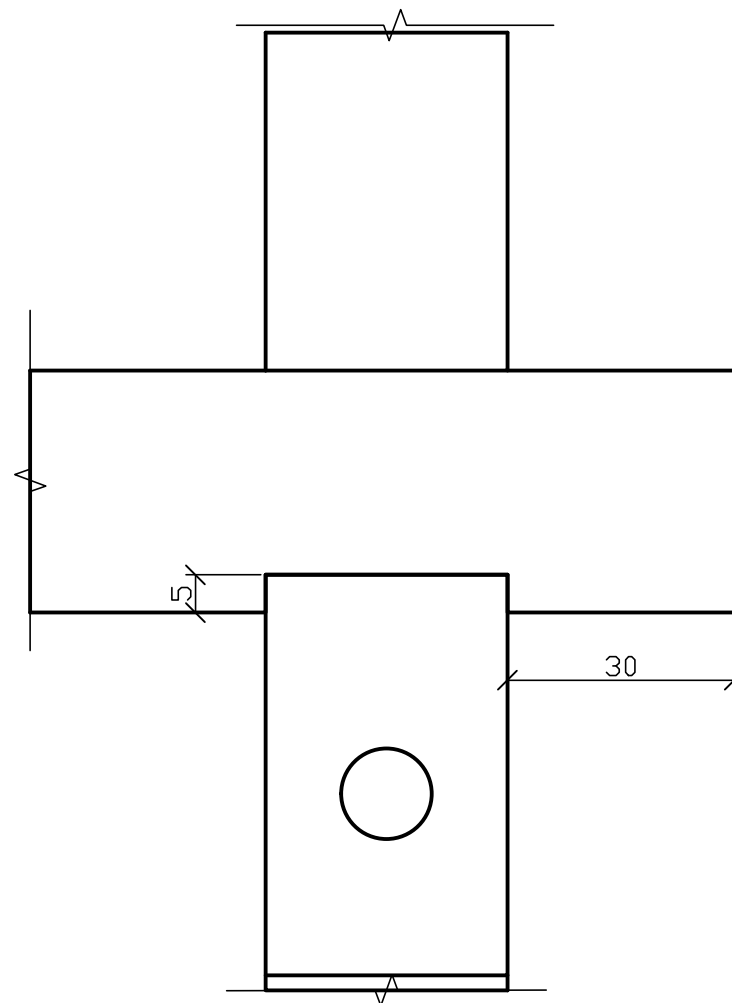
Drawing ORTHOGRAPHIC	Sheet 2
Date MAY 2012	of 5
Scale 1:5	



B
3 **SECTION**
Scale: 1:2



1 **BOTTOM STRECHER**
Scale: 1:1



2 **TOP DOVETAIL**
Scale: 1:1

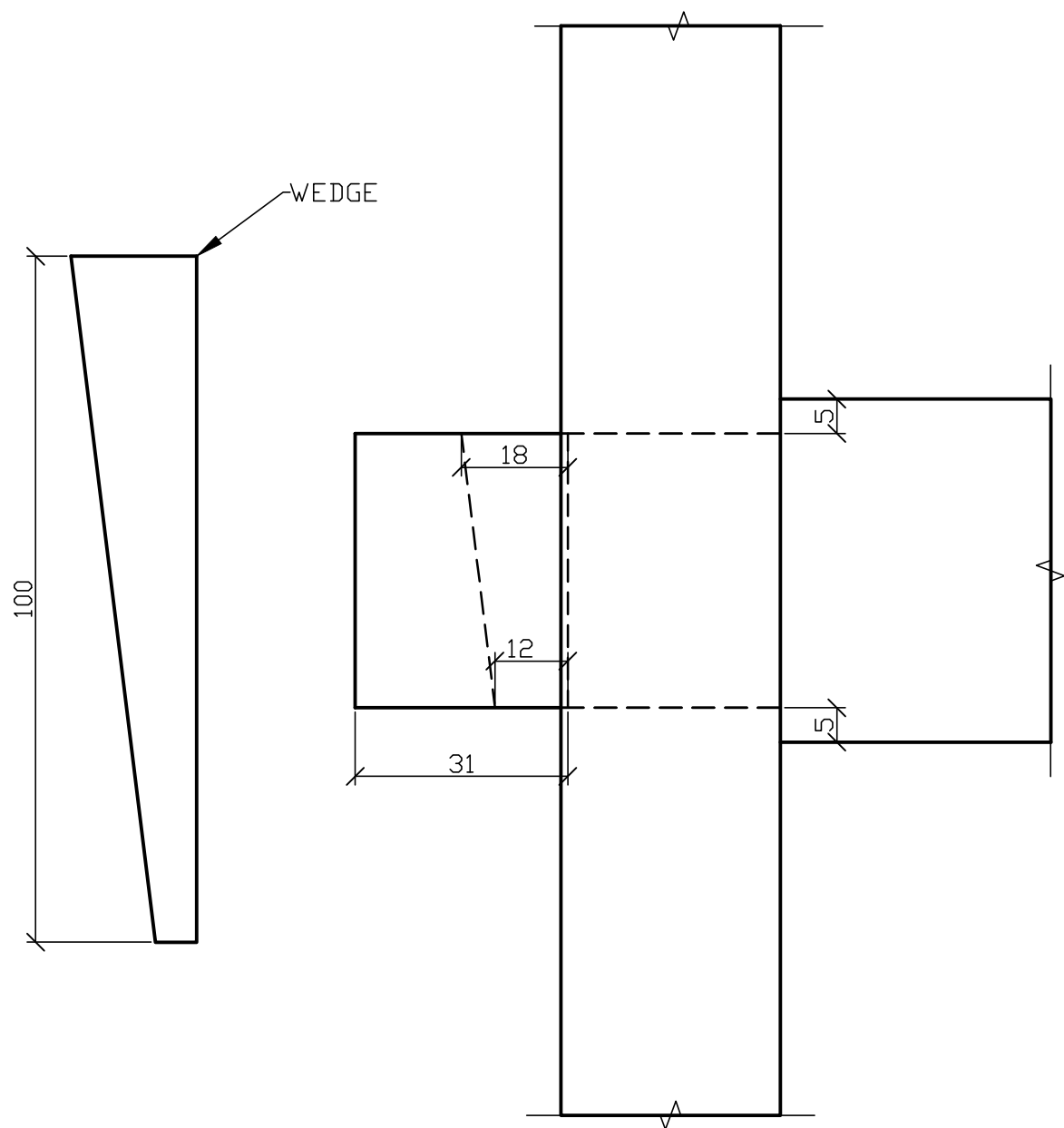
General Notes

No.	Revision/Issue	Date

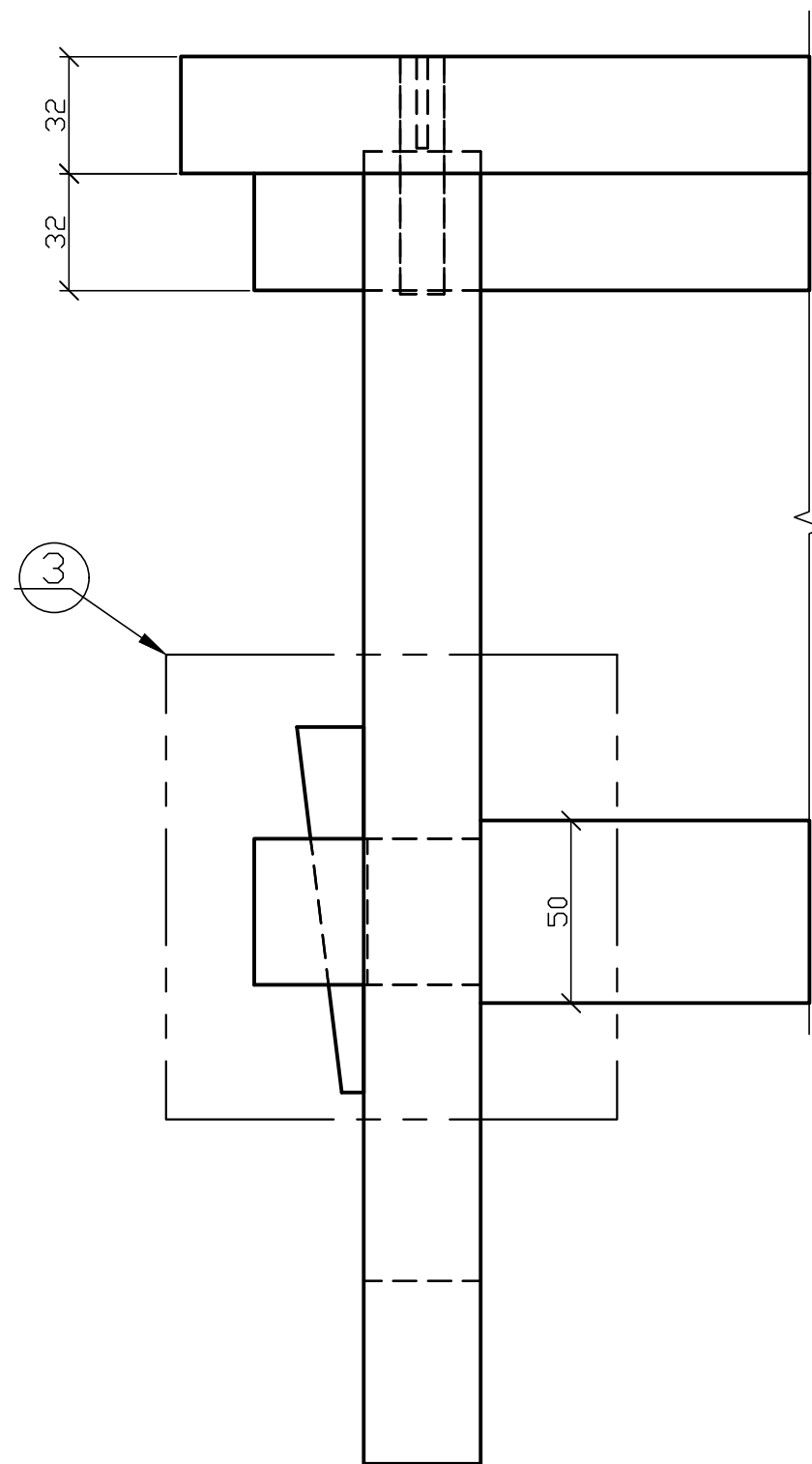
Skills Alberta
Joinery
Provincial
Project

Project Name
STOOL

Drawing DETAILS	Sheet 3 of 5
Date MAY 2012	
Scale AS SHOWN	



3 **SPREADER DETAILS**
Scale: 1:1



A
3 **SECTION**
Scale: 1:2

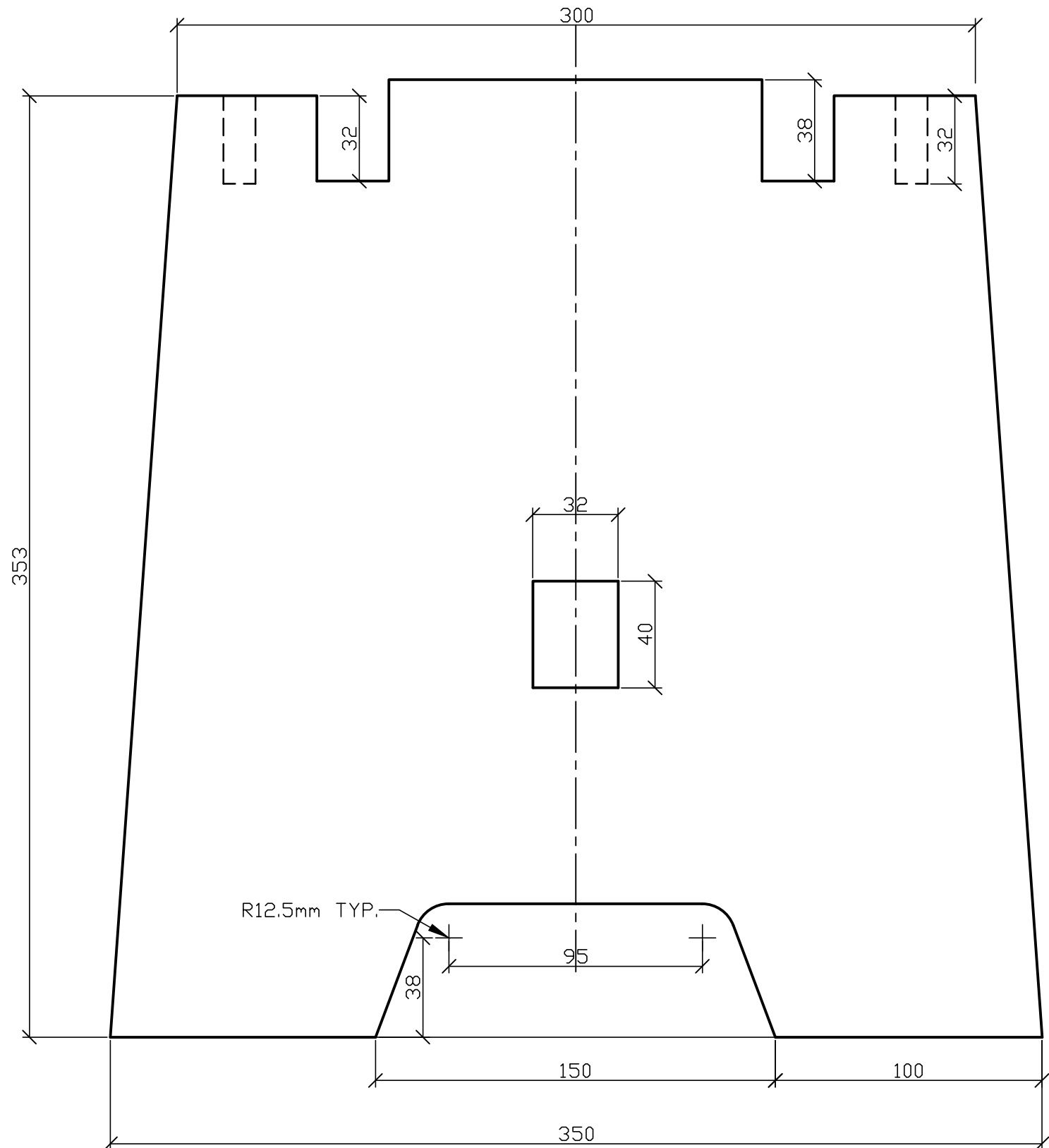
General Notes

No.	Revision/Issue	Date

Skills Alberta
Joinery
Provincial
Project

Project Name
STOOL

Drawing Details	Sheet 4 of 5
Date MAY 2012	
Scale AS SHOWN	



General Notes

No.	Revision/Issue	Date

Skills Alberta
Joinery
Provincial
Project

Project Name
STOOL

Drawing	Details	Sheet 5 of 5
Date	May 2012	
Scale	1:2	