

General Notes

## INDEX

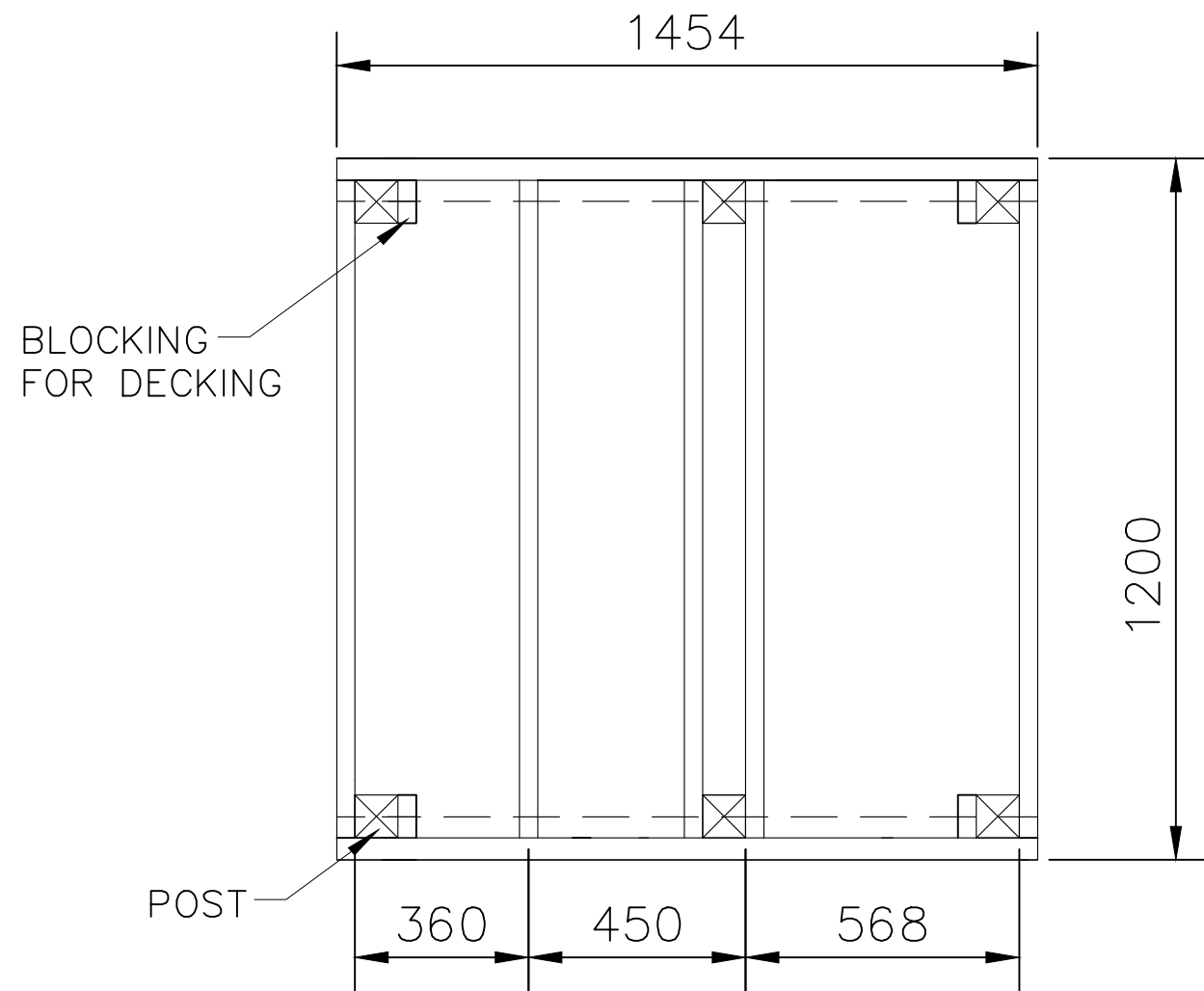
- 1 ISOMETRIC
- 2 FLOOR FRAMING PLAN
- 3 FLOOR DECKING PLAN
- 4 MAIN FLOOR PLAN
- 5 ROOF FRAMING PLAN
- 6 ELEVATIONS
- 7 SECTIONS
- 8 DETAILS
- 9 DETAILS

No.	Revision/Issue	Date



Provincial  
Secondary Project

Drawing ISOMETRIC	Sheet 1
Date	1
Scale SCALE	



○ FLOOR FRAMING PLAN

General Notes

- ACQ 2X4 FLOOR FRAMING
- FLOOR FRAMING TO BE FASTENED WITH 2 - 3 1/2" HDG NAILS THROUGH HEADER INTO JOIST
- BLOCKING FOR DECKING 38 X 89
- EACH POST TO BE FASTENED TO JOISTS WITH 4 - 3 1/2" HDG NAILS
- FLOOR FRAME TO BE TOE NAILED THROUGH JOISTS INTO SKID WITH 3 1/2" HDG NAILS

No.	Revision/Issue	Date

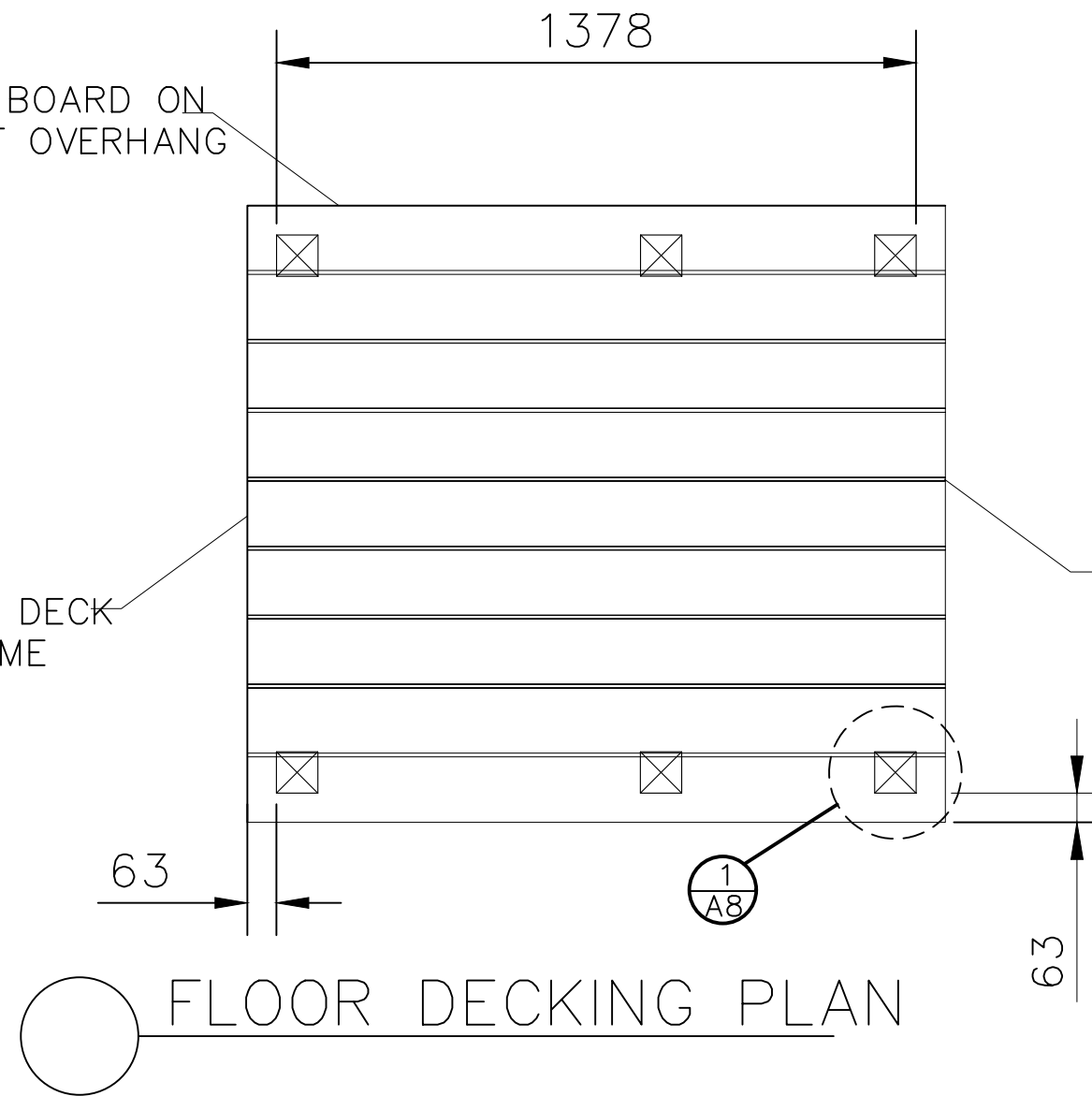


Provincial  
Secondary Project

Drawing	FLOOR	Sheet	2
Date			
Scale	SCALE		

CUT LAST DECK BOARD ON  
OUTSIDE TO SUIT OVERHANG

CENTER MIDDLE DECK  
BOARD ON FRAME



PROVIDE 5MM GAP  
BETWEEN DECKING

General Notes

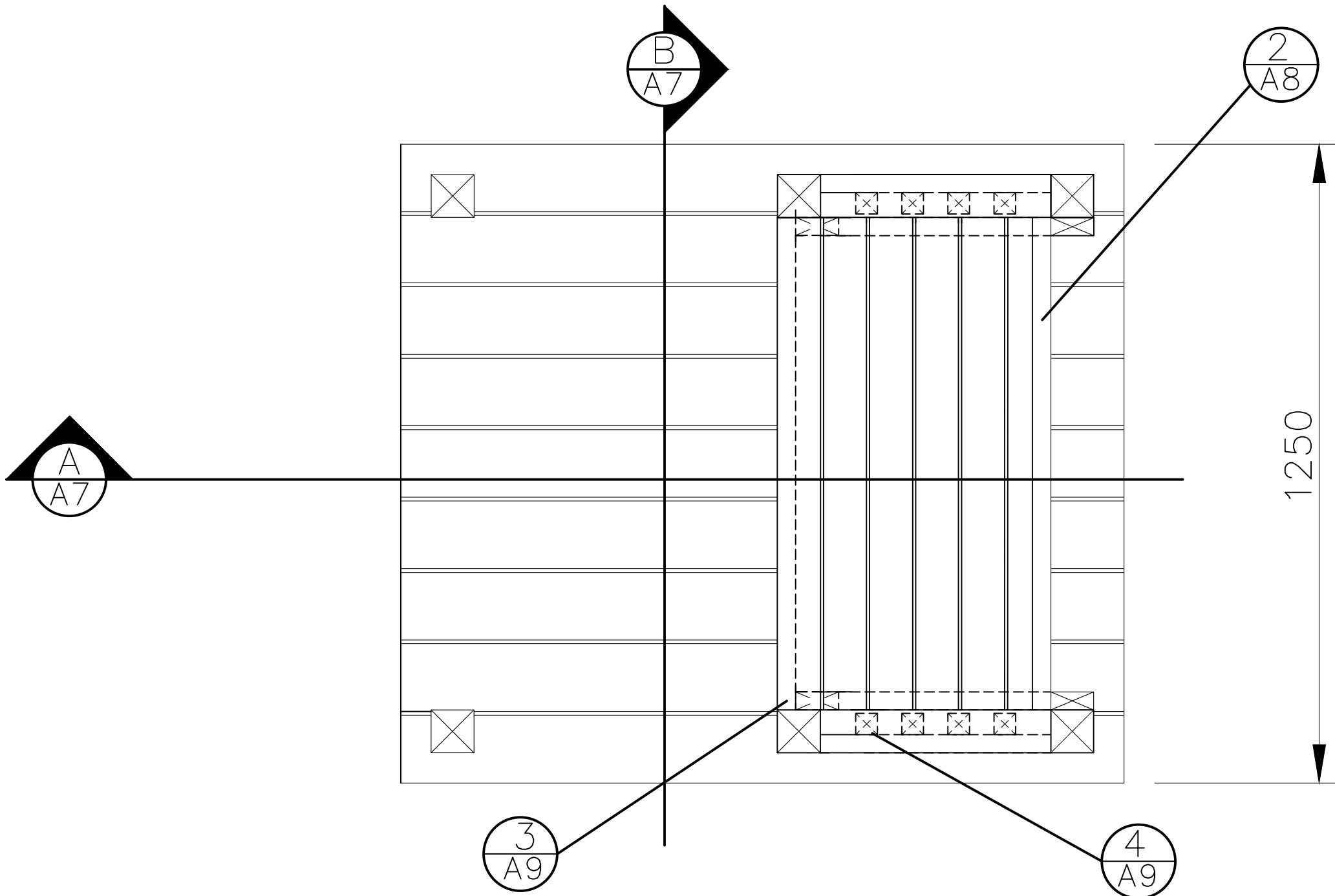
- 1 x 6 DECK BOARDS
- DECKING TO FASTENED WITH 2 1/4" ACQ DECK SCREWS EVENLY FOR AESTHETICS

No.	Revision/Issue	Date



Provincial  
Secondary Project

Drawing DECKING	Sheet 3
Date	
Scale SCALE	



○ MAIN FLOOR PLAN

General Notes

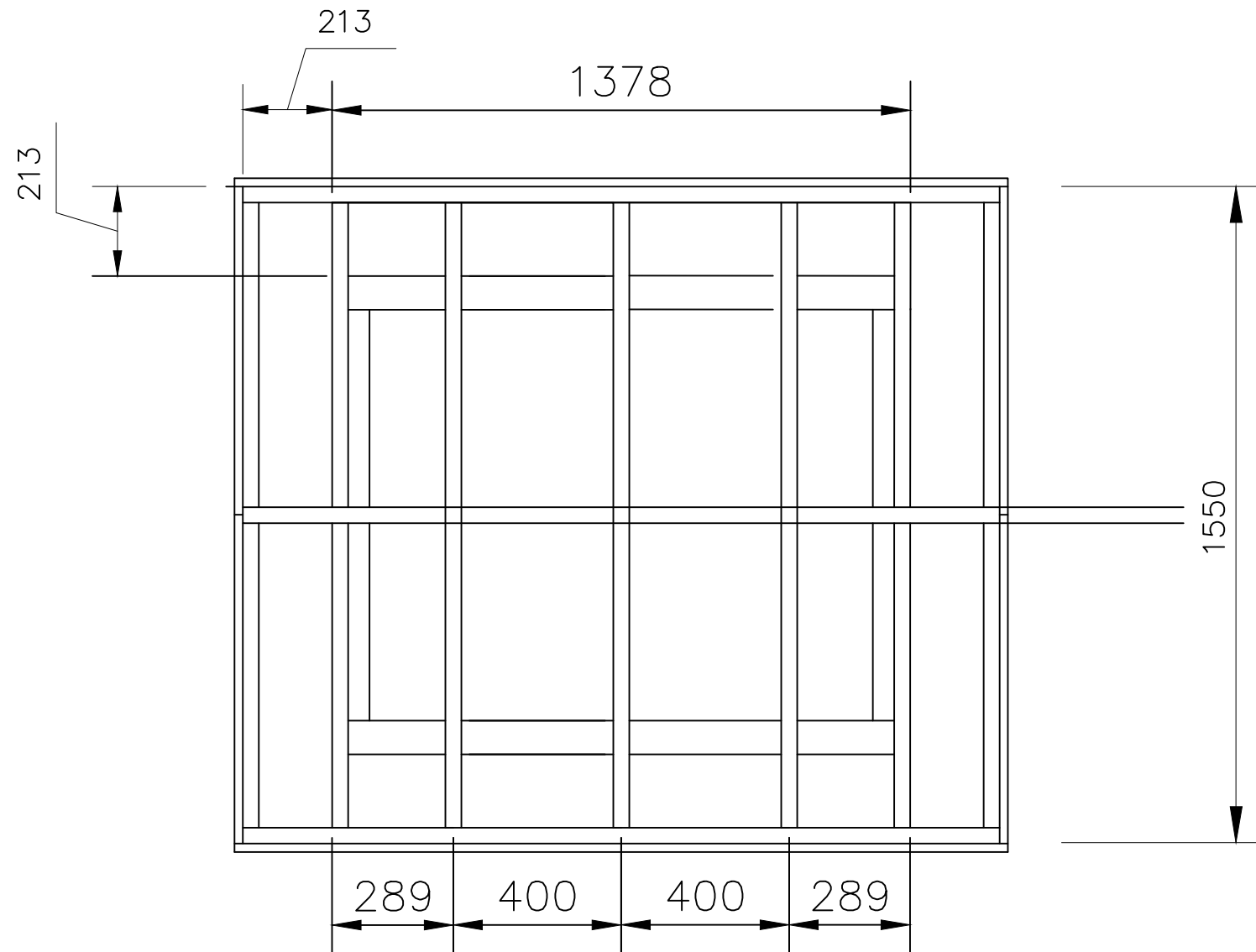
- BALUSTRADE TO BE FASTENED TOGETHER WITH 2 1/2" DECK SCREWS AND TO BE TOE SCREWED TO POST WITH DECK SCREWS
- 38 X 89 BENCH FRAMING FASTENED WITH 2 1/2" SCREWS EVENLY SPACED FOR AESTHETICS

No.	Revision/Issue	Date



Provincial  
Secondary Project

Drawing MAINFLOOR	Sheet 4
Date	
Scale SCALE	



ROOF FRAMING PLAN

General Notes

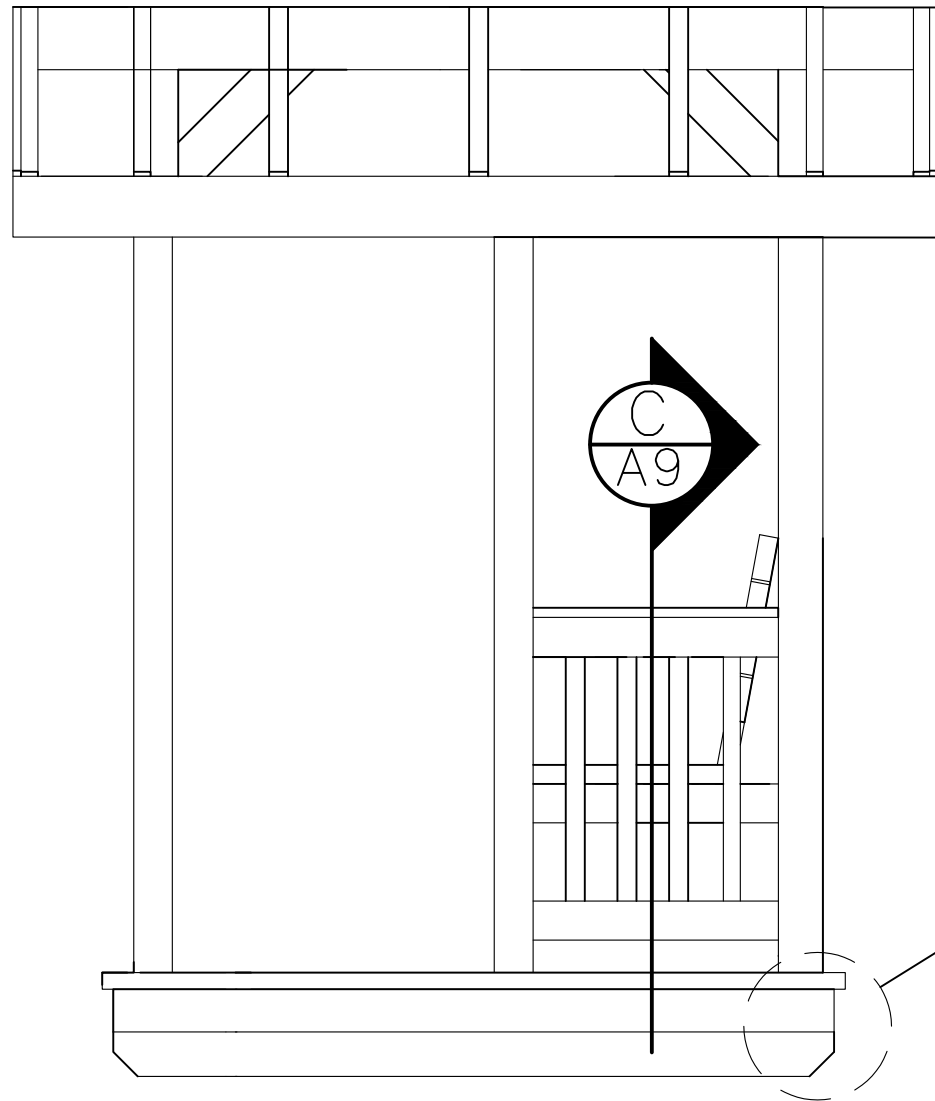
- 38 X 89 RAFTERS
- 38 X 89 ROUGH FASCIA
- 19 X 140 FINISH FASCIA
- 38 X 140 RIDGE
- RAFTERS TO HAVE A 30MM PLUMB CUT MEASUREMENT AT THE BIRDSMOUTH
- LOWER AND UPPER TOP PLATES NAILED DOWN WITHN 3 1/2" PC NAILS AT EACH POST LOCATION
- RAFTERS TO BE FASTENED WITH 3 - 3 1/2" PC NAILS AT RIDGE AND BIRDSMOUTH
- ROUGH FASCIA TO BE FASTENED WITH 2 - 3 1/2" PC NAILS TO EACH RAFTER TAIL
- FINISH FASCIA INSTALLED WITH 2 1/2" SIDING NAILS

No.	Revision/Issue	Date

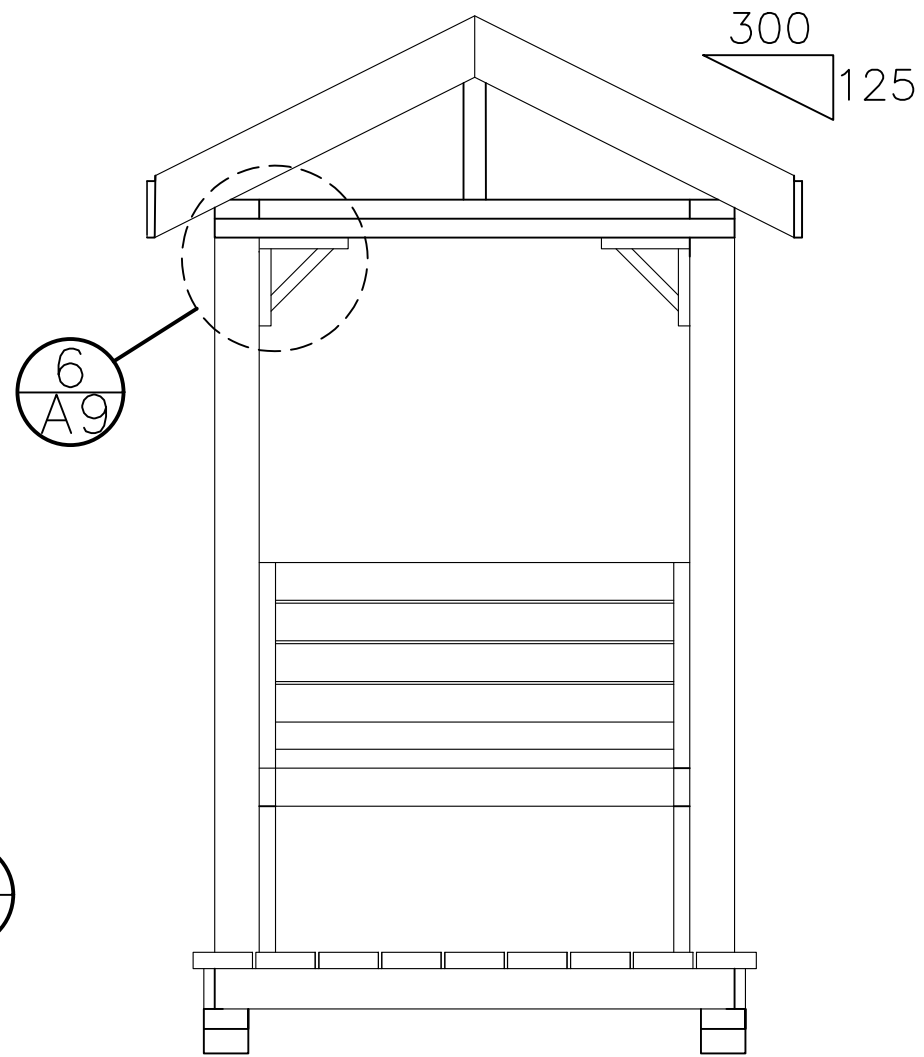


Provincial  
Secondary Project

Drawing	ROOF	Sheet	5
Date			
Scale	SCALE		



○ SIDE ELEVATION



○ REAR ELEVATION

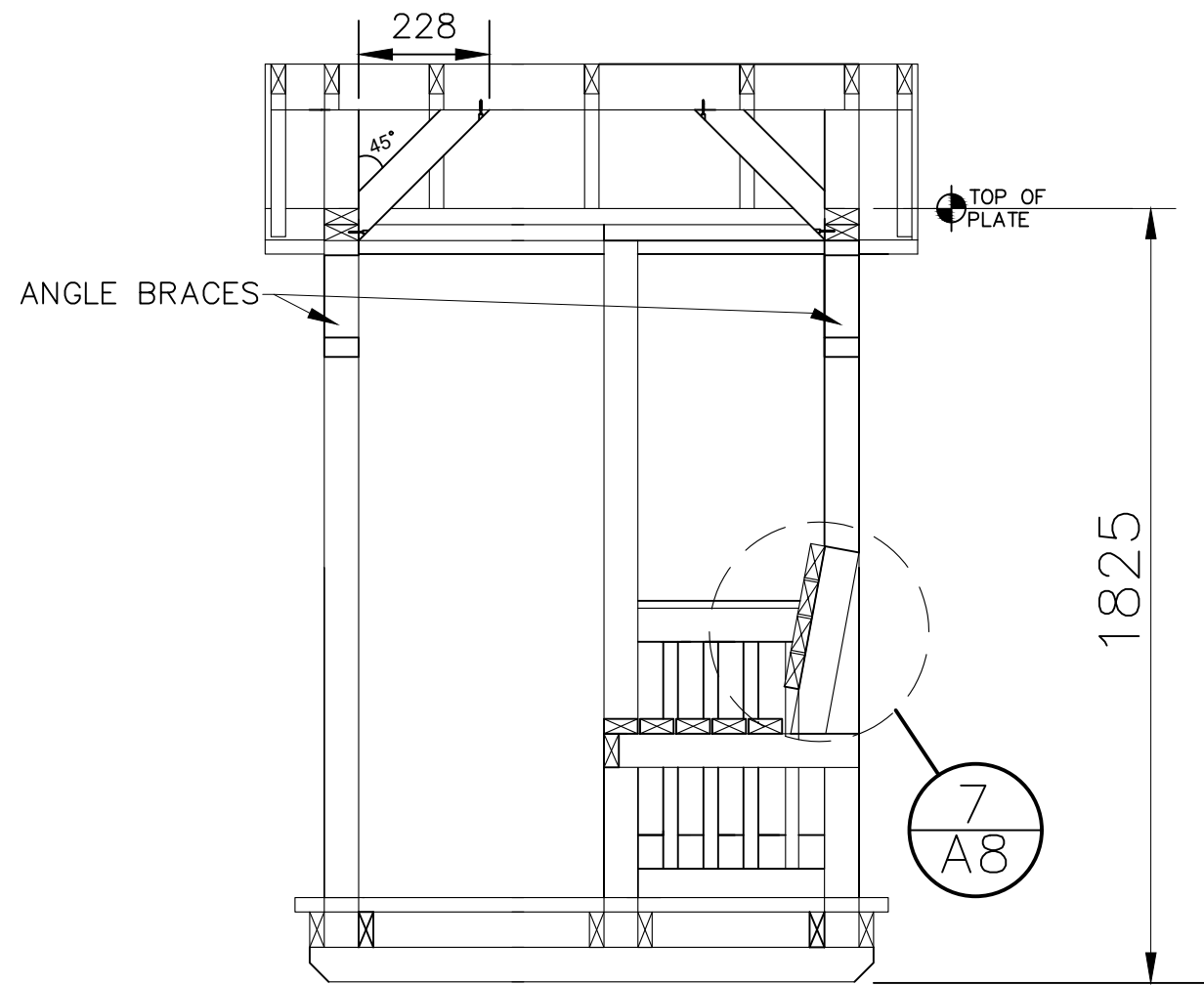
General Notes

No.	Revision/Issue	Date

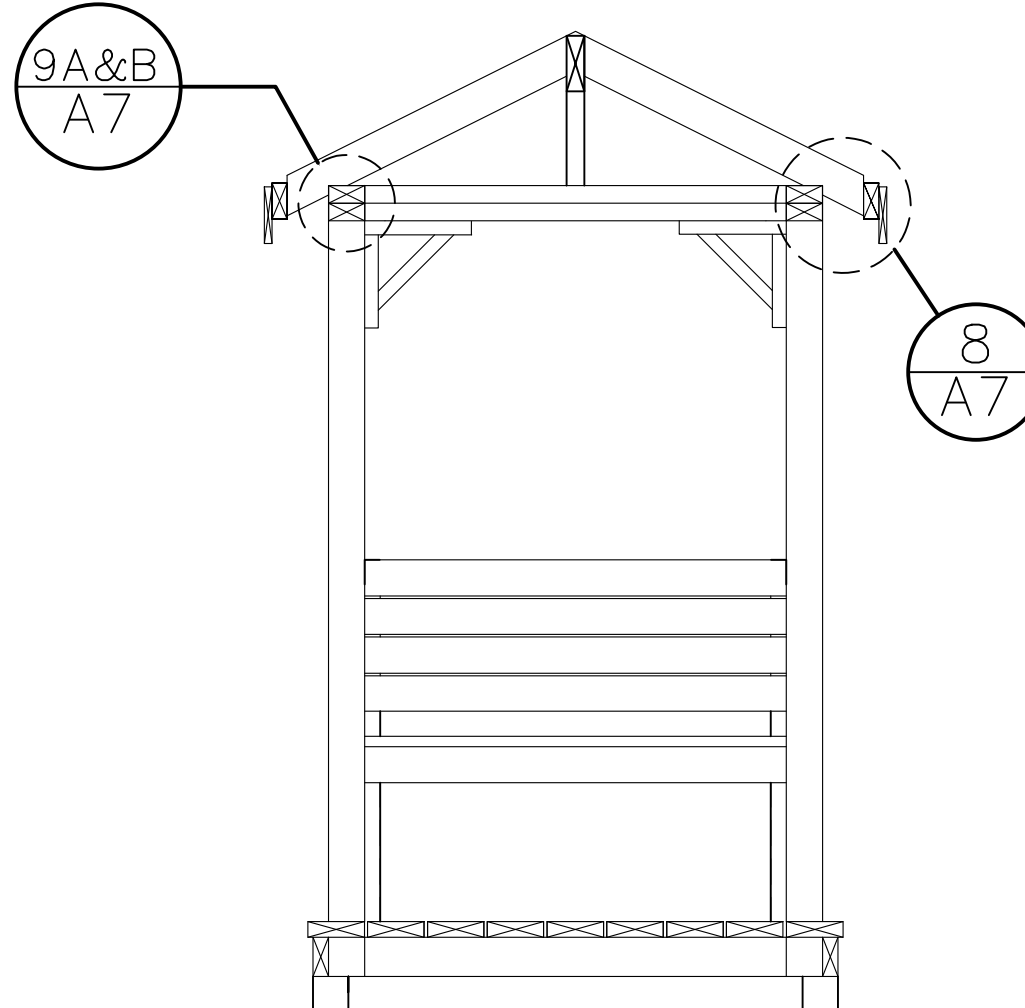


Provincial  
Secondary Project

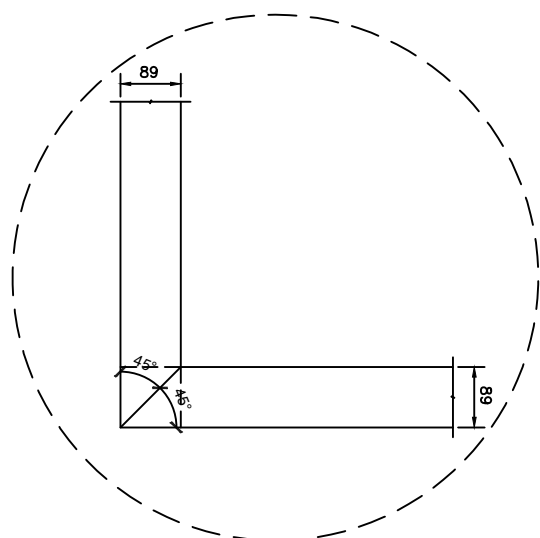
Drawing ELEVATIONS	Sheet 6
Date	
Scale SCALE	



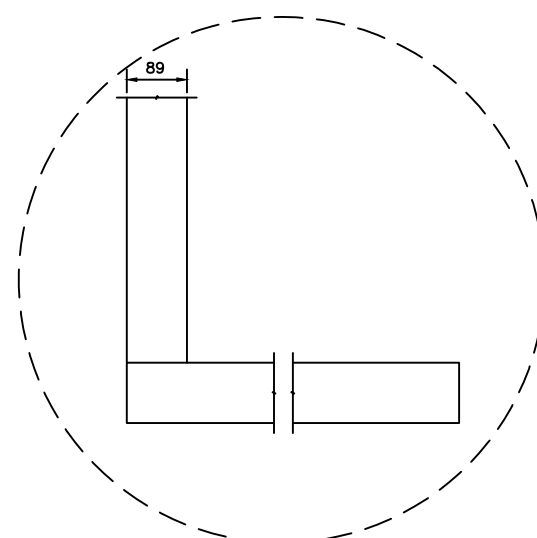
(A/A4) SECTION



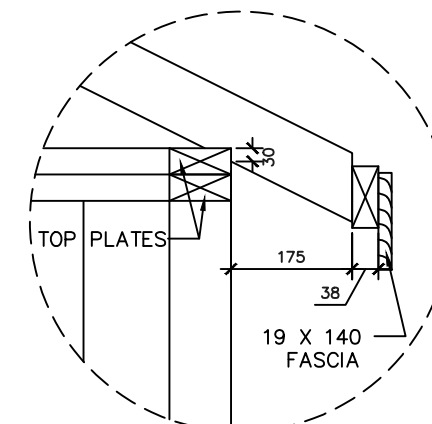
(B/A4) SECTION



(9A/A7) PLAN OF LOWER TOP PLATE CONNECTION AT POSTS



(9B/A7) PLAN OF UPPER TOP PLATE CONNECTION AT POSTS



(8/A7) TYP. EAVE DETAIL

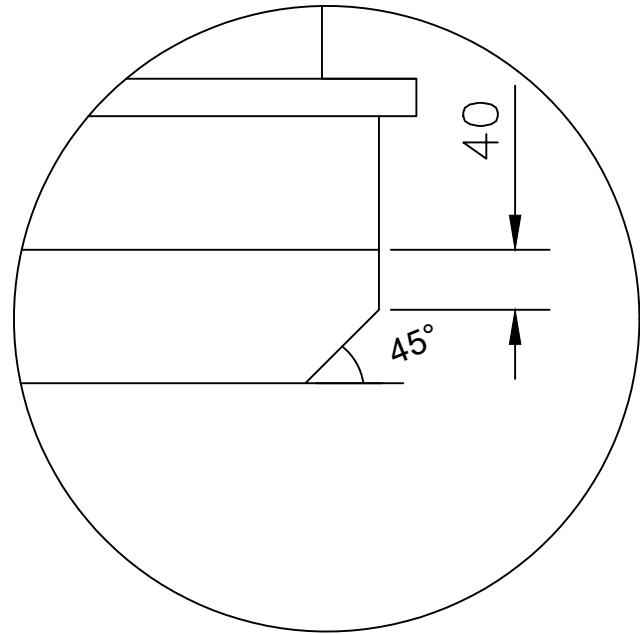
General Notes

No.	Revision/Issue	Date

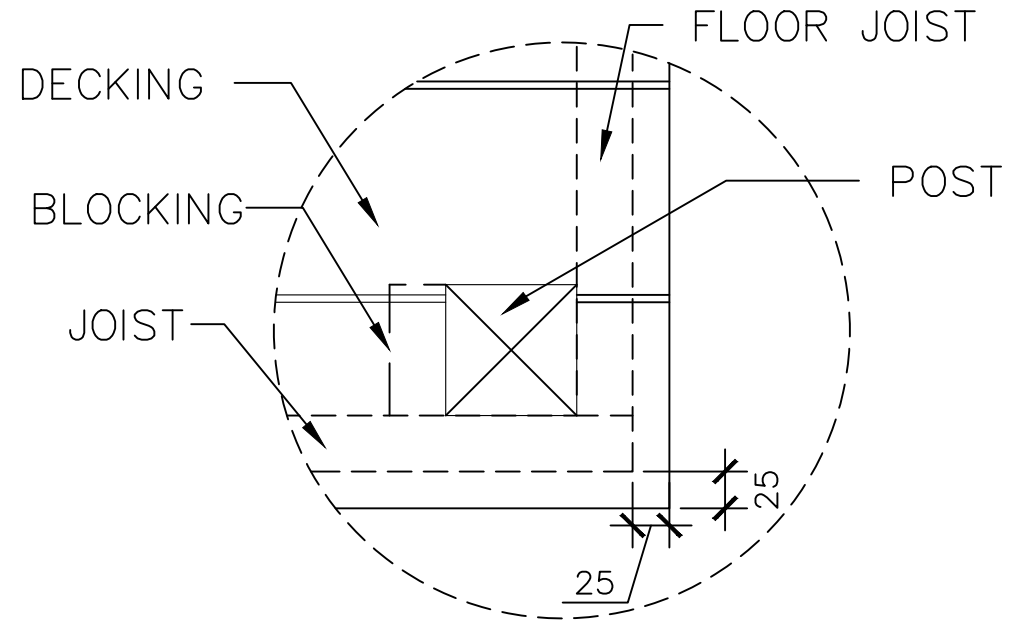
SkillsCanada Alberta

Provincial Secondary Project

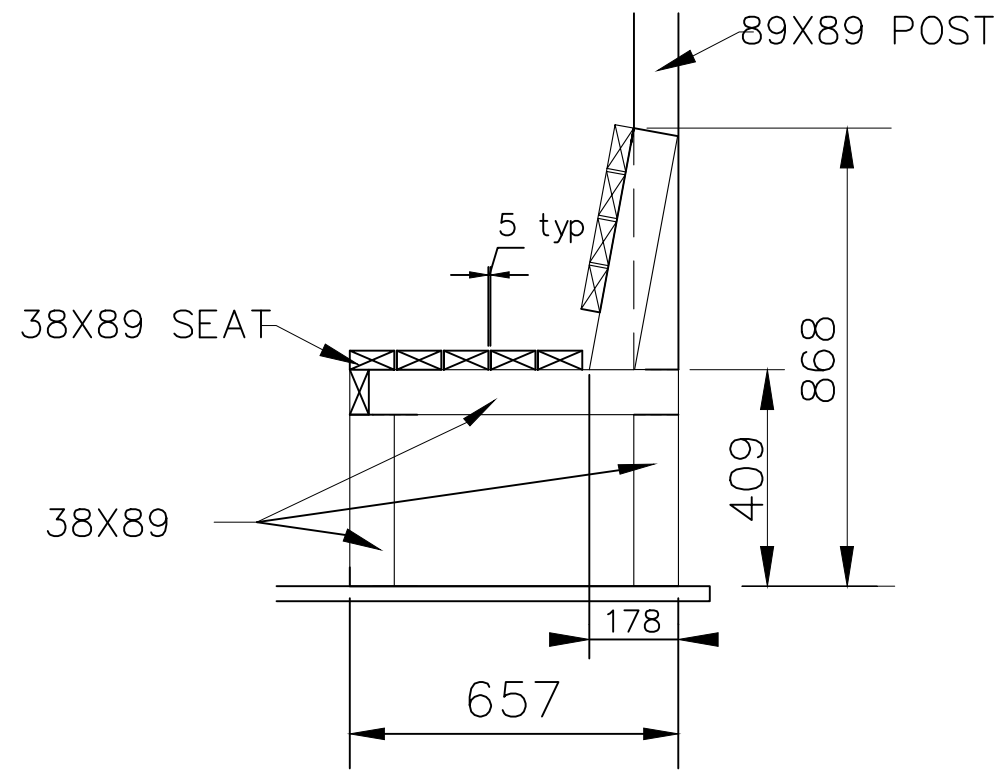
Drawing	SECTIONS	Sheet
Date		7
Scale	SCALE	



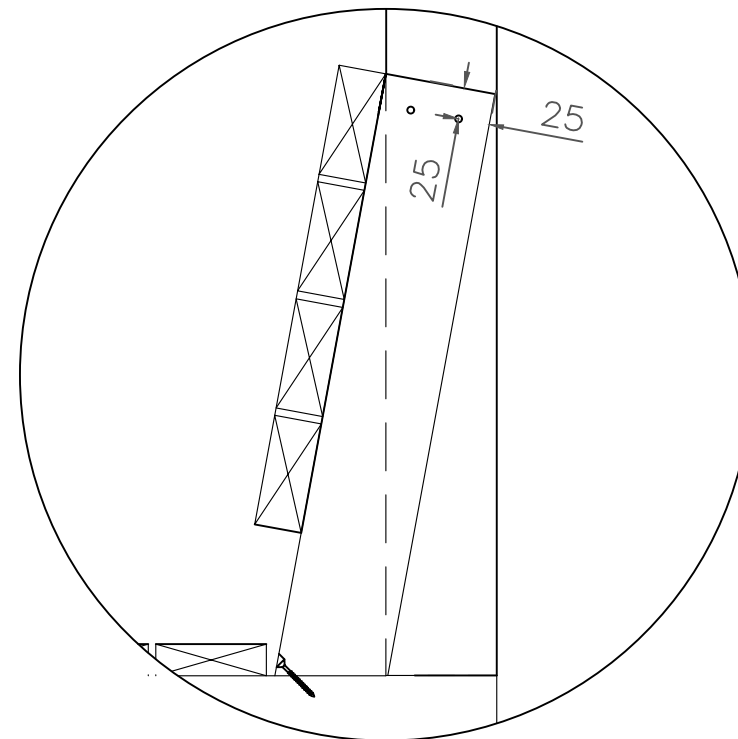
5  
A6 SLEEPER DETAIL



1  
A3 DECKING AT FLOOR JOISTS



2  
A4 BENCH DETAIL



7  
A7 BACK DETAIL

General Notes

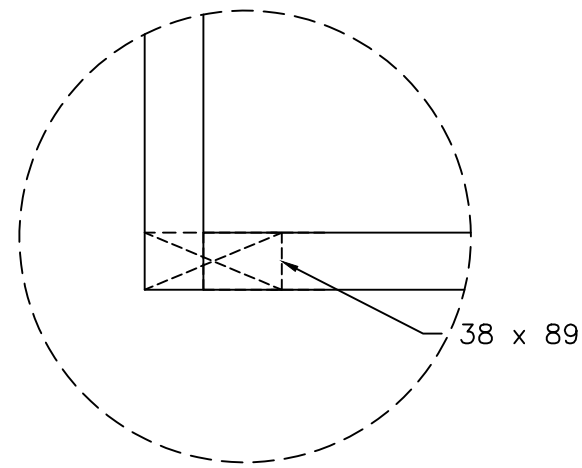
No.	Revision/Issue	Date



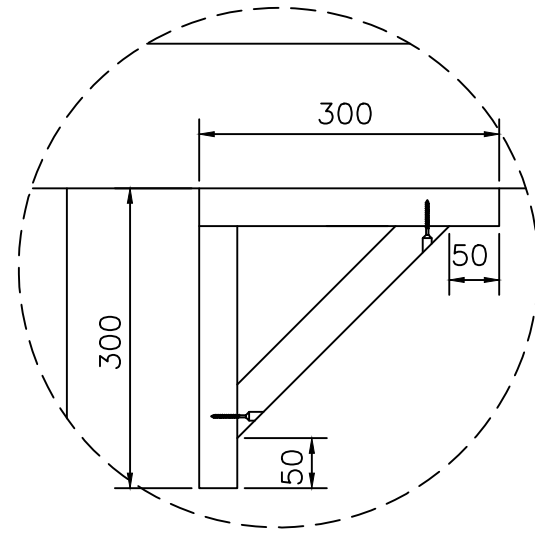
Provincial  
Secondary Project

Drawing DETAILS	Sheet 8
Date	
Scale	SCALE

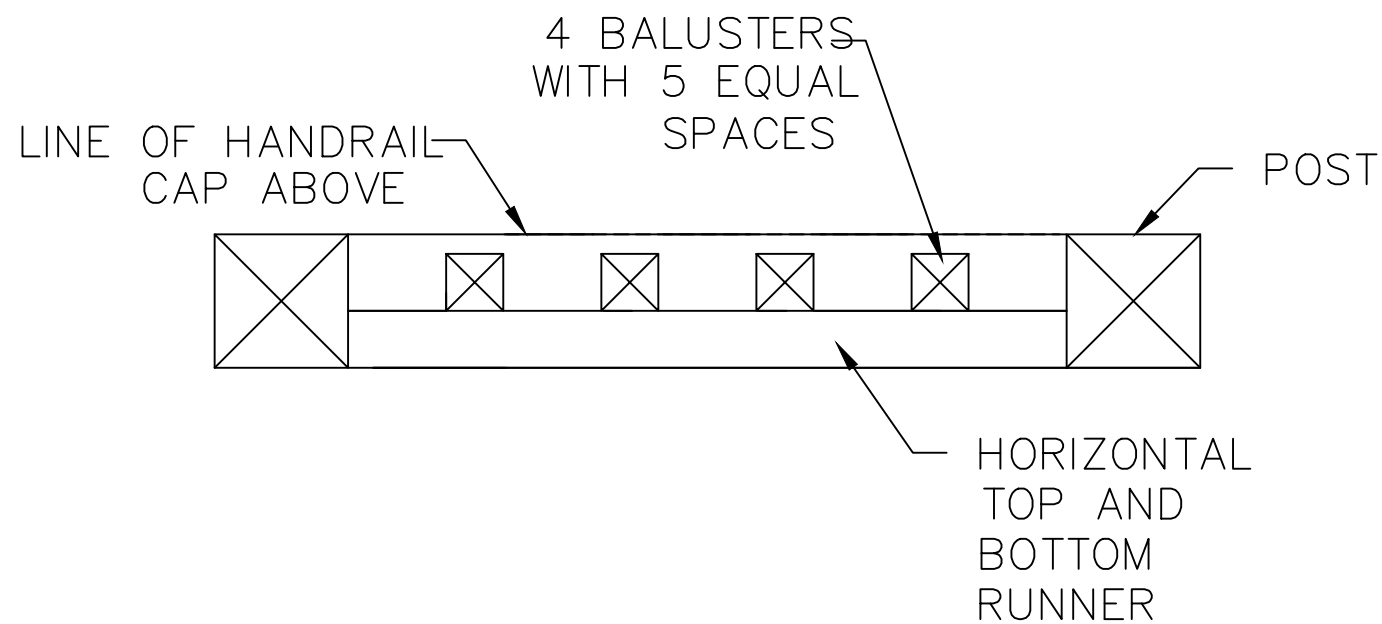




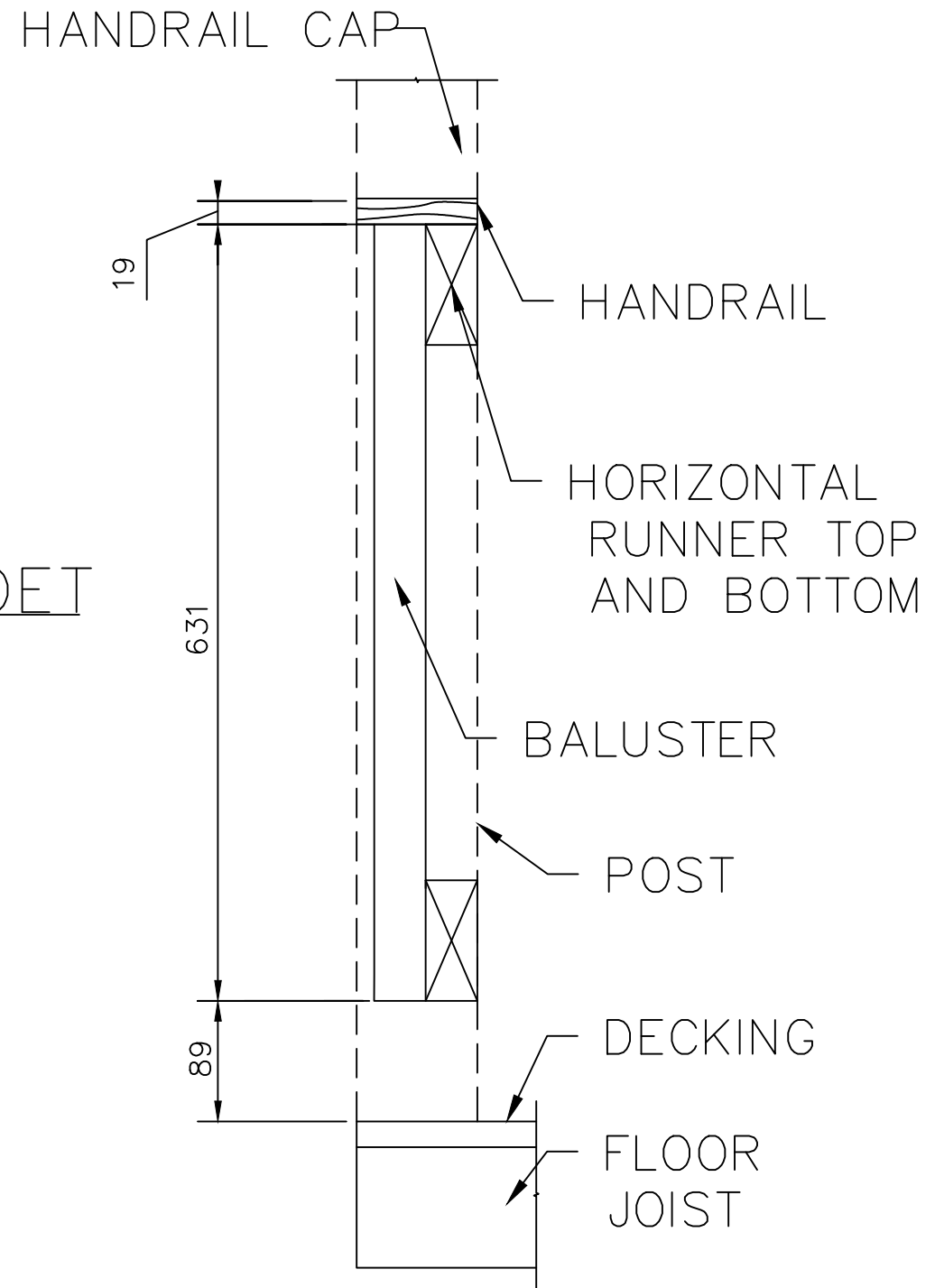
3  
A4 BENCH FRAMING  
DETAIL



6  
A6 TYP. BRACE DET



4  
A4 RAILING PLAN  
DETAIL



C  
A6 BALUSTER SECTION

- General Notes
- 38 X 89 BRACES
  - BRACE TO FASTENED TOGETHER AND INSTALLED WITH SCREWS

No.	Revision/Issue	Date



Provincial  
Secondary Project

Drawing	DETAILS	Sheet
Date		9
Scale	SCALE	