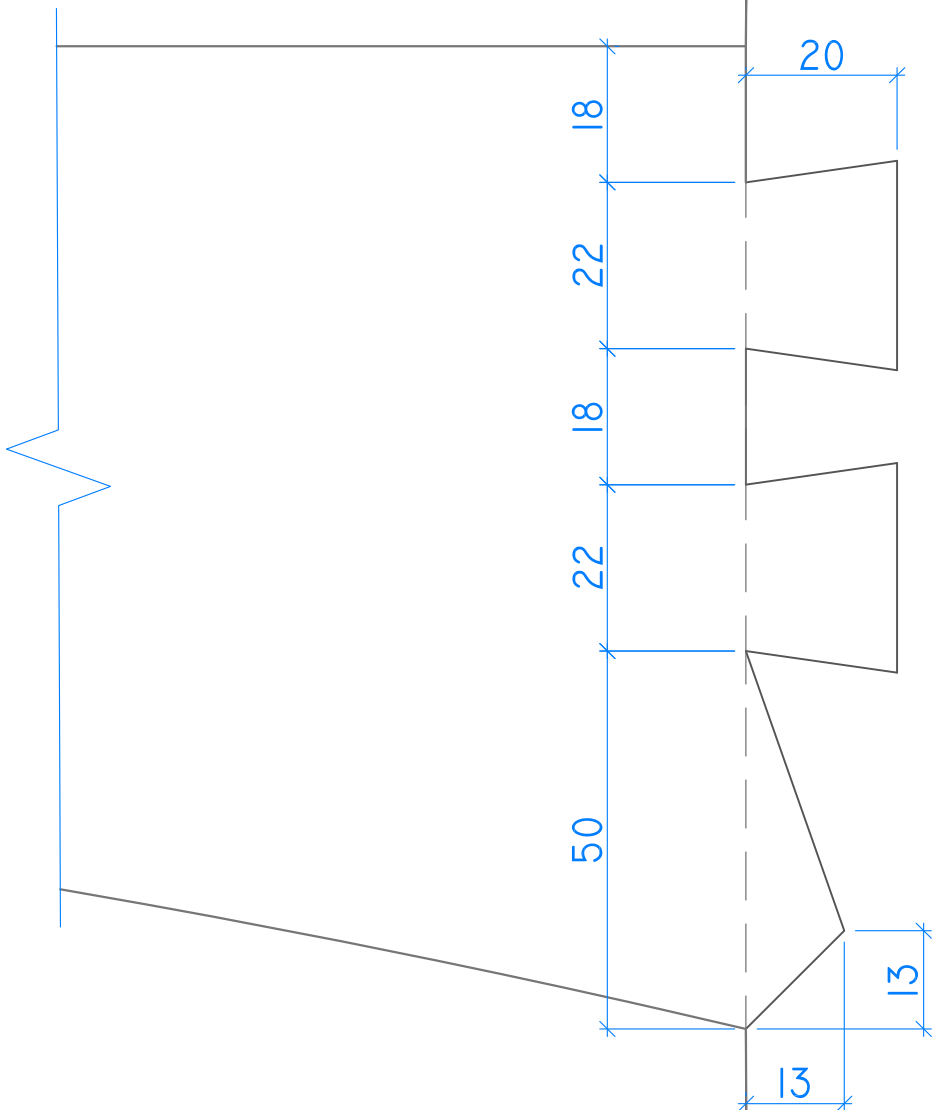
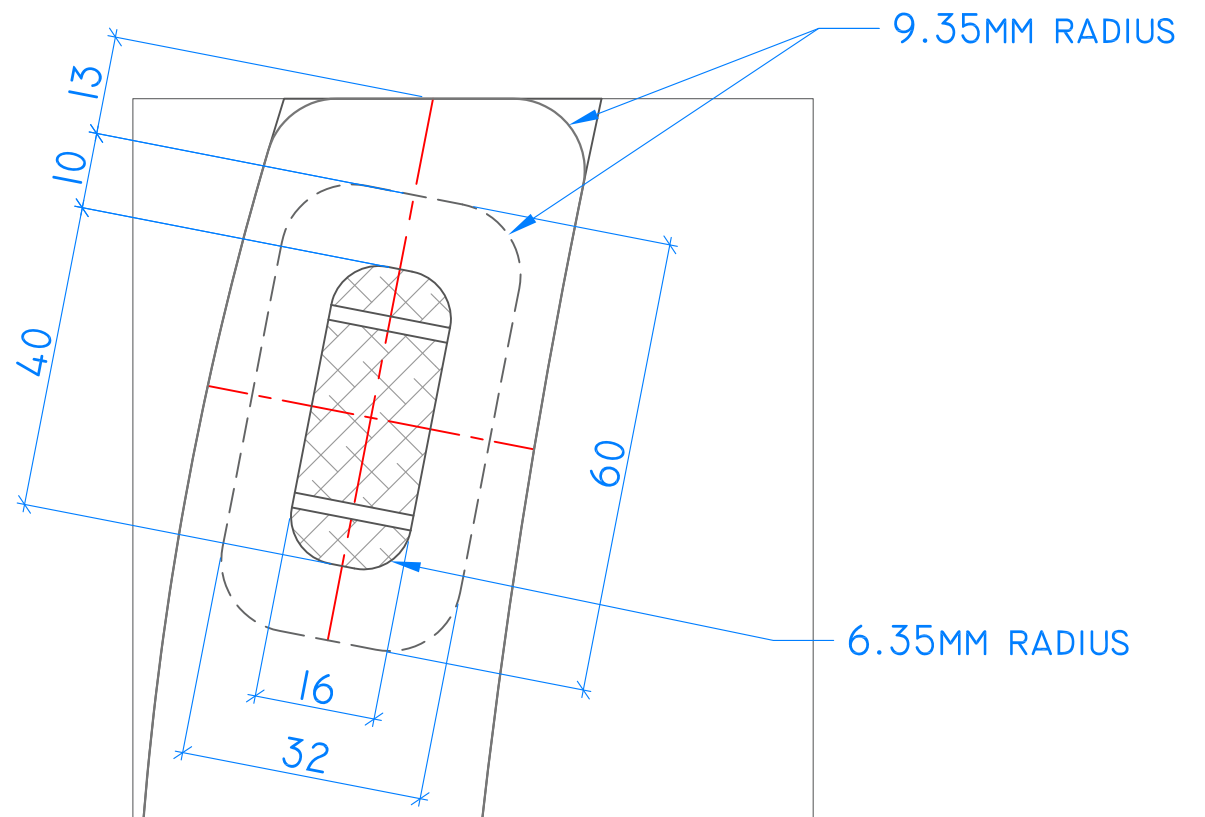


LEG DETAILS AS SHOWN
SUPERSEDE PREVIOUS
DRAWINGS
APRIL 2, 2026



POST-SECONDARY LEVEL
FULL SCALE LEG DETAIL (1 : 1)
- THROUGH TENON
& DOVETAIL DETAIL